



Introducing our latest pendant designs featuring a diverse range of architectural cylinders that bring a sense of rhythm, beauty, and creativity to any ceiling space. With their captivating aesthetics and gentle, evenly distributed illumination, our collection of Architectural Performance luminaires allows you to elevate modern interiors, including offices, restaurants, hotels, and luxurious residential projects. Experience the seamless blend of style and functionality as you enhance your space with these visually alluring pendant options.

Our exceptional pendant lighting designs open up endless possibilities for commercial and residential applications, offering modular lighting solutions with a range of sizes, beam options, and a standard configuration of high visual comfort COB LED. Whether in pendant or surface mount configurations, these luminaires provide a stunning and sleek solution that enhances any space with its elegant and slender design.

Feature

- Embrace the versatility of our modular design.
- COB LED chip options: standard 90+ or optional Dim to Warm 95+ CRI for enhanced performance.
- Dimming options: 0-10V with standard 10% dimming, optional 1%, or TRIAC dimming.
- Tailor the lighting to your needs with beam angle options of 15°, 24°, 36°, or 60°.
- Wattage selection allows for further customization based on your requirements.

Performance

Wattage Selectable	15°/3000K		24°/3000K		36°/3000K		60°/3000K	
	Efficacy	Lumens	Efficacy	Lumens	Efficacy	Lumens	Efficacy	Lumens
5W	115lm/W	575lm	115lm/W	575lm	105lm/W	525lm	95lm/W	475lm
8W	115lm/W	920lm	120lm/W	960lm	105lm/W	840lm	95lm/W	760lm
10W	115lm/W	1150lm	115lm/W	1150lm	105lm/W	1050lm	95lm/W	950lm
13W	110lm/W	1430lm	115lm/W	1490lm	105lm/W	1365lm	90lm/W	1170lm
16W	105lm/W	1680lm	110lm/W	1760lm	100lm/W	1600lm	80lm/W	1280lm
19W	100lm/W	1900lm	105lm/W	1995lm	95lm/W	1805lm	80lm/W	1520lm



3 inch Cylinder Pendant with Selectable Wattage

Optics

Experience the cutting-edge technology of our advanced lighting solution, driven by a high-efficiency COB LED chip. With an array of versatile beam spread options including 15°, 24°, 36°, and 60°, our fixtures offer precise control over the direction and distribution of light. What sets our product apart is the convenience of interchangeable cylinder beam spreads, allowing effortless swapping in the field without the need for additional tools.



Finish

Our fixtures are made of rigid die-cast aluminum and feature a standard powder-coated polyester paint finish in white or black.

LED System

COB	COB LED with a 90+ CRI is standard. 95+ CRI for Dim to Warm option. They have been tested in accordance with IESNA LM-80 and the results have shown L80 lumen maintenance greater than 50,000 hours.
CCT	2700K, 3000K, 3500K and 4000K available.
Thermanl Managment	The lifespan of our product is maximized by our aluminum housing, which serves as an effective heat sink for optimal heat dissipation.

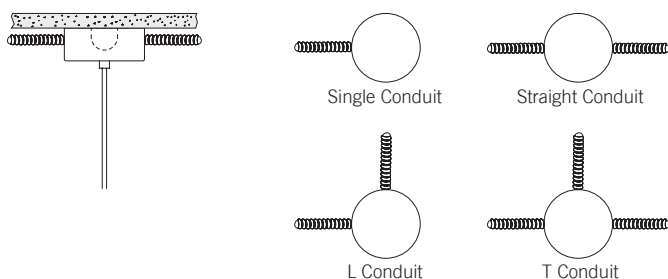
Listings

- UL listed for damp locations
- 5 years limited warranty

NOTE:

- Ensure optimal performance by maintaining ambient temperatures below 104°F during regular operation at the fixture location.
- For indoor use only

Conduit Knockout Canopy



Electrical

LED Driver	Equipped with a Class 2 high-efficiency LED driver, featuring a standard 0-10V dimming functionality that smoothly dims down to 1%. This dimming capability is compatible with a wide range of control systems, including: Lutron® Diva-DTV, Leviton® IP-710-DL. TRIAC dimming is also offered as an option, dimming down to 1%. Consult Vendor.
------------	--

THD	<20%
Power Factor	>0.9
Input Voltage	Standard electronic drivers are cULus recognized and available for 110-277V.

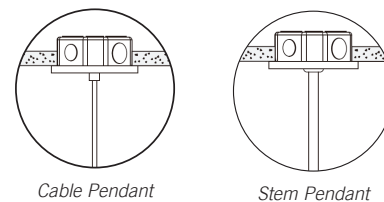
Mounting

Cable Pendant

White or black cables, provided in specified lengths of (2', 4', 8' or 12' nominal). Installers have the flexibility to cut the cable in the field to achieve their desired length during installation.

Stem Pendant

We supply a Ø12/25" steel stem in the length specified (2', 4', 8' or 12' nominal), available in either a white or black finish.



Canopy Options

Standard Canopy for Recessed J-box:

For recessed J-boxes (3" octagon, 4" octagon, or 4" round), we provide a 4.5" round flat canopy. Choose between a white or black powder-coat painted finish for easy mounting to the J-box.

Canopy with Knockouts for Surfaced and or Pancake J-box:

When using a surface-mounted or Pancake 4" J-box, we offer a Ø5.97" round canopy that is 2.38" deep with a conduit cutout for easy installation. The canopy features four key slots, one on each side, allowing seamless configuration to fit any ceiling layout using 1/2" or 3/8" conduit. You can choose from a white or a black powder coat painted finish for the conduit cutout canopy, ensuring a sleek and adaptable solution for your mounting needs.

Optional Emergency Battery Backup

We offer an optional emergency Battery Backup, EMBI. In the event of an AC power failure, it promptly switches to the emergency mode, providing illumination for up to 120 minutes. Once AC power is restored, it automatically returns to the charging mode, ensuring compliance with critical life-safety lighting requirements. For more information please don't hesitate to contact us.

LCP Mini Pendant Series

3 inch Cylinder Pendant with Selectable Wattage

Project:	Date
Type:	
Model:	

Ordering Chart

Example: LCP-3-35K-Y-M-90-01-SP-C8-BK-DL

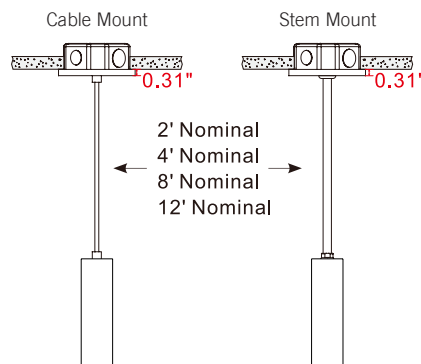
Series	Size (Selectable Wattage)	CCT	Voltage	Beam Options	CRI Options	Dimming Options	Mounting Options	Pendant Accessories	Finish	Trim Options
LCP Cylinder Pendant	3 3in (19W / 16W / 13W / 10W / 8W / 5W)	27K 2700K	Y 120-277V	N Narrow Beam 15° M Medium Beam 24° W Wide Beam 36°	90 90+ CRI (Standard)	01 Dim to 1% Or TRIAC Dimming <small>(Programmable driver with factory-set wattage and operating parameters; not field-adjustable).</small>	SP Pendant With Standard Canopy Style For Recessed J-Box CP Pendant canopy plate w/ Conduit Knockouts	Cable Mount C2 2' Nominal Length C4 4' Nominal Length C8 8' Nominal Length	WH White BK Black SV Silver	Reflector Color RW White RB Black RG Gold RC Chrome
		DW Dim to Warm. 30K-20K Bridgelux COB (13W Static)								

Mounting Options



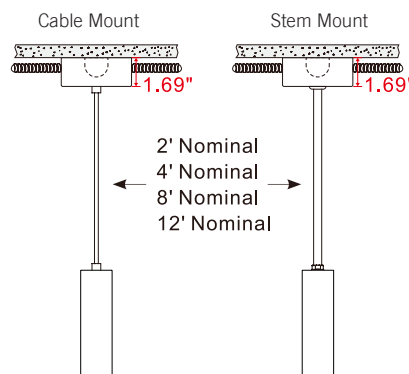
Cable Mount

Rigid Stem Mount
(Can tilt upto 30°)

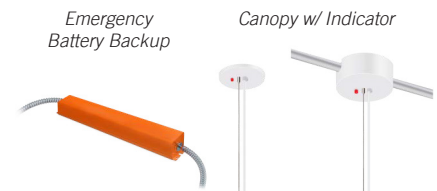


Cable Mount with
Conduit Knockouts

Rigid Stem Mount with
Conduit Knockouts
(Can tilt upto 30°)



Battery Backup Options



Emergency Lumen Output:
Optional high voltage 16W emergency LED driver.

*Contact Vendor

Anti-Glare Accessory

HGL
Honeycomb
Anti-Glare Lens



Only for 15° to 60° beam options.

Dimensions and values shown are nominal. LuminosoLED continually works to improve products and reserves the right to make changes which may alter the performance or appearance of products.

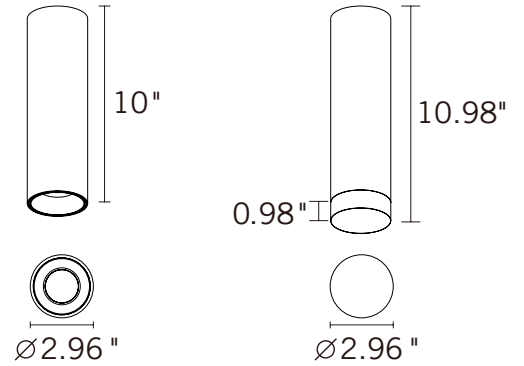
LCP Mini Pendant Series

3 inch Cylinder Pendant with Selectable Wattage

Configuration



Dimensions



PHOTOMETRICS

