

Project:	Date
Type:	
Model:	

GLZ4 Series LED Area Light

Area / Roadway / Parking

Features

Construction:

- Rugged one-piece, die-cast aluminum housing secures the thermally conductive LED panel and electrical chamber.
- Housing is completely sealed against moisture and environmental contaminants.

Optics:

- Available in IES Type II, III, IV, V, and 90°x120° distributions.
- Light engines are available in standard 3000K, 3500K, 4000K and 5000K (70 CRI) configurations.
- Scalable Lumen Packages from 13,600 to 84,200 Lumens replaces up to 1000W Metal Halide.
- Optics is precisely designed to shape the distribution, maximizing efficiency and application spacing.

Electrical:

- Universal 120-277 VAC or 480 VAC input voltage
- Standard with 0-10V dimming driver(s)
- THD: ≤15%
- Power Factor: 0.95
- 20kV Surge Protection Standard

Controls:

- 0-10V

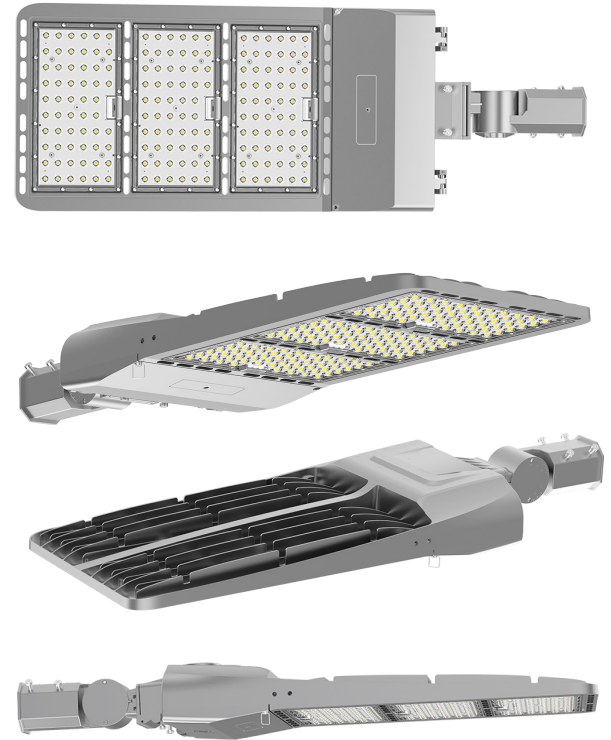
Ambient Temperature:

- Ambient operating temperature -40°F to 113°F

Lifespan:

- Estimated 70,000-hour LED lifespan based on IES LM-80 results and TM-21 calculations

Finish:



ORDER INFORMATION

EXAMPLE: GLZ4-300W-Y-40K-3M-SF-SV



Series	Wattage	Voltage	CCT	Optics	Mounting	Back-light Shield	Finish
GLZ4 Area Light	80W	Y 120-277V	30K	2M	SF Slip Fitter	Blank	BK** Black
	100W		3000K	3M	DA Direct Arm	Standard	WH** White
	150W		35K	3S	YK Yoke	BS Back-light Shield	BZ Bronze
	185W	HV 480V	3500K	4M	TR Trunnion		SV** Silver
	240W		40K	5M			
	300W		4000K	TO			
	400W		50K	Tennis Optics (90°x120°)			
	500W		5000K				

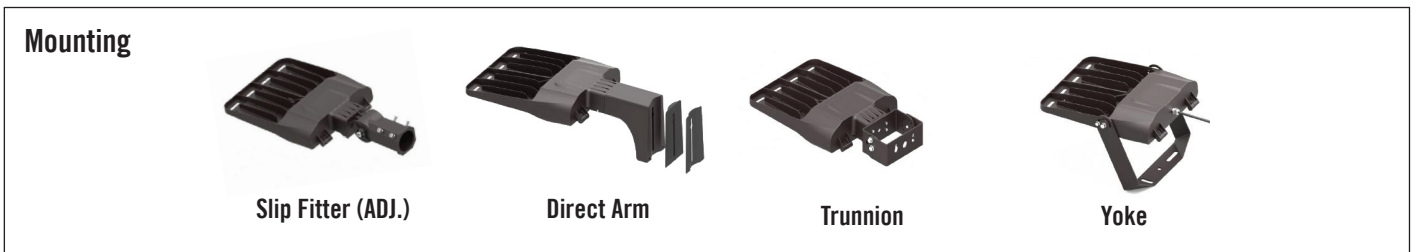
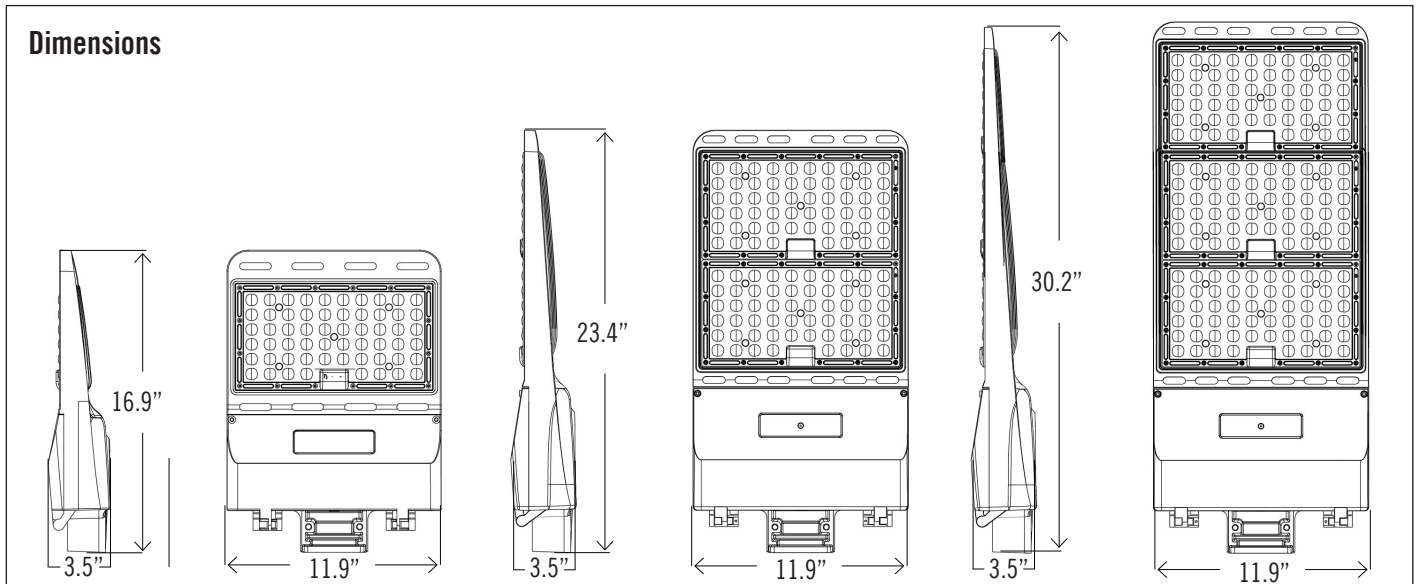
Enter configuration:

** Special Order / Finish made to order

Dimensions and values shown are nominal. LuminosoLED continually works to improve products and reserves the right to make changes which may alter the performance or appearance of products.

PERFORMANCE DATA

Series No.	GLZ4-80W	GLZ4-100W	GLZ4-150W	GLZ4-185W	GLZ4-240W	GLZ4-300W	GLZ4-400W	GLZ4-500W
Power	80W	100W	150W	185W	240W	300W	400W	500W
Lumens (T3)	13,600	17,251	24,041	30,265	40,947	48,998	66,419	81,401
Efficacy	170 Lm/W	172 Lm/W	161 Lm/W	164 Lm/W	170 Lm/W	163 Lm/W	166 Lm/W	163 Lm/W
Fixture Weight	13.2 lb	13.7 lb	14.1 lb	14.2 lb	20.3 lb	21.6 lb	27.2 lb	27.5 lb
EPA Dimensions (L x W x H) Input	0.23ft ² 16 x 11.9 x 3.5 in 120-277V				0.42ft ² 23.4 x 11.9 x 3.5 in 120-277V		0.576ft ² 30.2 x 11.9 x 3.5 in 120-277V	



80W (GLZ4-T3M) Polar Candela	ROADWAY SUMMARY	LCS Table
	Distribution: TYPE III, SHORT Max Cd, 90 Deg Vert: 22.9 Max Cd, 80 to <90 Deg: 371.0 <hr/> Downward Street Side: 8,518.2 63.1% Downward House Side: 4,855.0 35.9% Downward Total: 13,373.2 99% Upward Street Side: 45.8 0.3% Upward House Side: 86.7 0.6% <hr/> Upward Total: 132.5 1% Total Lumens: 13,505.7 100%	BUG Rating <u>B3 - U3 - G2</u> Forward Light Lumens Lumens% Low(0-30): 1,447.1 10.7% Medium(30-60): 4,812.8 35.6% High(60-80): 2,203.4 16.3% Very High(80-90): 54.9 0.4% Back Light Low(0-30): 1,235.4 9.1% Medium(30-60): 2,756.5 20.4% High(60-80): 825.8 6.1% Very High(80-90): 37.3 0.3% Uplight High(90-100): 10.7 0.1% Very High(100-180): 121.8 0.9% Trapped Light: 0.000 0%

100W (GLZ4-T3M) Polar Candela	ROADWAY SUMMARY	LCS Table
	Distribution: TYPE III, SHORT Max Cd, 90 Deg Vert: 29.2 Max Cd, 80 to <90 Deg: 473.8 <hr/> Downward Street Side: 10,880.6 63.1% Downward House Side: 6,201.4 35.9% Downward Total: 17,082.0 99% Upward Street Side: 58.4 0.3% Upward House Side: 110.8 0.6% <hr/> Upward Total: 169.3 1% Total Lumens: 17,251.2 100%	BUG Rating <u>B3 - U3 - G3</u> Forward Light Lumens Lumens% Low(0-30): 1,848.4 10.7% Medium(30-60): 6,147.5 35.6% High(60-80): 2,814.5 16.3% Very High(80-90): 70.1 0.4% Back Light Low(0-30): 1,578.0 9.1% Medium(30-60): 3,521.0 20.4% High(60-80): 1,054.8 6.1% Very High(80-90): 47.6 0.3% Uplight High(90-100): 13.6 0.1% Very High(100-180): 155.6 0.9% Trapped Light: 0.000 0%

150W (GLZ4-T3M) Polar Candela	ROADWAY SUMMARY	LCS Table
	Distribution: TYPE III, SHORT Max Cd, 90 Deg Vert: 54.8 Max Cd, 80 to <90 Deg: 705.2 <hr/> Downward Street Side: 15,119.9 62.9% Downward House Side: 8,678.6 36.1% Downward Total: 23,798.5 99% Upward Street Side: 89.0 0.4% Upward House Side: 154.0 0.6% <hr/> Upward Total: 242.9 1% Total Lumens: 24,041.4 100%	BUG Rating <u>B3 - U3 - G3</u> Forward Light Lumens Lumens% Low(0-30): 2,598.2 10.8% Medium(30-60): 8,646.3 36% High(60-80): 3,773.5 15.7% Very High(80-90): 102.0 0.4% Back Light Low(0-30): 2,247.1 9.3% Medium(30-60): 4,916.1 20.4% High(60-80): 1,440.9 6% Very High(80-90): 74.5 0.3% Uplight High(90-100): 18.1 0.1% Very High(100-180): 224.8 0.9% Trapped Light: 0.000 0%

185W (GLZ4-T3M) Polar Candela	ROADWAY SUMMARY	LCS Table
<p>Polar Candela 180° 170° 160° 150° 140° 120° 110° 100° 90° 80° 70° 60° 50° VA: 0° 10° 20° 30° 40°</p> <p> ■ - Max Cd: 55° H ■ - 0° H ■ - 90° H </p>	Distribution: TYPE III, SHORT Max Cd, 90 Deg Vert: 69.2 Max Cd, 80 to <90 Deg: 994.3 <hr/> Downward Street Side: 19,236.1 63.6% Downward House Side: 10,727.5 35.4% Downward Total: 29,963.6 99% Upward Street Side: 104.1 0.3% Upward House Side: 197.7 0.7% <hr/> Upward Total: 301.8 1% Total Lumens: 30,265.3 100%	BUG Rating <u>B4 - U3 - G3</u> Forward Light Lumens Lumens% Low(0-30): 3,247.6 10.7% Medium(30-60): 10,832.6 35.8% High(60-80): 5,022.9 16.6% Very High(80-90): 132.9 0.4% Back Light Low(0-30): 2,756.7 9.1% Medium(30-60): 6,130.9 20.3% High(60-80): 1,761.5 5.8% Very High(80-90): 78.4 0.3% Uplight High(90-100): 25.3 0.1% Very High(100-180): <u>276.5</u> <u>0.9%</u> Trapped Light: 0.000 0%

240W (GLZ4-T3M) Polar Candela	ROADWAY SUMMARY	LCS Table
<p>Polar Candela 180° 170° 160° 150° 140° 130° 120° 110° 100° 90° 80° 70° 60° 50° VA: 0° 10° 20° 30° 40°</p> <p> ■ - Max Cd: 55° H ■ - 0° H ■ - 90° H </p>	Distribution: TYPE III, SHORT Max Cd, 90 Deg Vert: 102.4 Max Cd, 80 to <90 Deg: 1,128.6 <hr/> Downward Street Side: 25,831.1 63.1% Downward House Side: 14,715.6 35.9% Downward Total: 40,546.7 99% Upward Street Side: 140.8 0.3% Upward House Side: 259.7 0.6% <hr/> Upward Total: 400.5 1% Total Lumens: 40,947.2 100%	BUG Rating <u>B4 - U3 - G3</u> Forward Light Lumens Lumens% Low(0-30): 4,416.4 10.8% Medium(30-60): 14,891.5 36.4% High(60-80): 6,345.3 15.5% Very High(80-90): 178.0 0.4% Back Light Low(0-30): 3,729.3 9.1% Medium(30-60): 8,401.4 20.5% High(60-80): 2,451.4 6% Very High(80-90): 133.5 0.3% Uplight High(90-100): 36.5 0.1% Very High(100-180): <u>364.0</u> <u>0.9%</u> Trapped Light: 0.000 0%

300W (GLZ4-T3M) Polar Candela	ROADWAY SUMMARY	LCS Table
<p>Polar Candela 180° 170° 160° 150° 140° 130° 120° 110° 100° 90° 80° 70° 60° 50° VA: 0° 10° 20° 30° 40°</p> <p> ■ - Max Cd: 55° H ■ - 0° H ■ - 90° H </p>	Distribution: TYPE III, SHORT Max Cd, 90 Deg Vert: 236.0 Max Cd, 80 to <90 Deg: 1,285.2 <hr/> Downward Street Side: 30,913.2 63.1% Downward House Side: 17,584.4 35.9% Downward Total: 48,497.6 99% Upward Street Side: 195.7 0.4% Upward House Side: 305.0 0.6% <hr/> Upward Total: 500.7 1% Total Lumens: 48,998.3 100%	BUG Rating <u>B5 - U3 - G4</u> Forward Light Lumens Lumens% Low(0-30): 5,439.5 11.1% Medium(30-60): 18,238.0 37.2% High(60-80): 7,032.3 14.4% Very High(80-90): 203.4 0.4% Back Light Low(0-30): 4,430.1 9% Medium(30-60): 10,092.8 20.6% High(60-80): 2,895.5 5.9% Very High(80-90): 166.1 0.3% Uplight High(90-100): 52.5 0.1% Very High(100-180): <u>448.2</u> <u>0.9%</u> Trapped Light: 0.000 0%

400W (GLZ4-T3M) Polar Candela	ROADWAY SUMMARY	LCS Table																																							
	Distribution: TYPE III, SHORT Max Cd, 90 Deg Vert: 287.5 Max Cd, 80 to <90 Deg: 1,972.1 <hr/> Downward Street Side: 42,329.5 63.7% Downward House Side: 23,433.4 35.3% Downward Total: 65,762.9 99% Upward Street Side: 208.3 0.3% Upward House Side: 412.3 0.6% <hr/> Upward Total: 620.6 0.9% Total Lumens: 66,383.5 99.9%	BUG Rating <u>B5 - U4 - G4</u> Forward Light <table border="1"> <thead> <tr> <th></th> <th>Lumens</th> <th>Lumens%</th> </tr> </thead> <tbody> <tr> <td>Low(0-30):</td> <td>7,384.7</td> <td>11.1%</td> </tr> <tr> <td>Medium(30-60):</td> <td>25,326.8</td> <td>38.1%</td> </tr> <tr> <td>High(60-80):</td> <td>9,321.1</td> <td>14%</td> </tr> <tr> <td>Very High(80-90):</td> <td>296.9</td> <td>0.4%</td> </tr> </tbody> </table> Back Light <table border="1"> <thead> <tr> <th></th> <th>Lumens</th> <th>Lumens%</th> </tr> </thead> <tbody> <tr> <td>Low(0-30):</td> <td>6,029.5</td> <td>9.1%</td> </tr> <tr> <td>Medium(30-60):</td> <td>13,478.2</td> <td>20.3%</td> </tr> <tr> <td>High(60-80):</td> <td>3,694.9</td> <td>5.6%</td> </tr> <tr> <td>Very High(80-90):</td> <td>230.9</td> <td>0.3%</td> </tr> </tbody> </table> Uplight <table border="1"> <thead> <tr> <th></th> <th>Lumens</th> <th>Lumens%</th> </tr> </thead> <tbody> <tr> <td>High(90-100):</td> <td>55.1</td> <td>0.1%</td> </tr> <tr> <td>Very High(100-180):</td> <td>565.5</td> <td>0.9%</td> </tr> </tbody> </table> Trapped Light: 35.5 0.1%		Lumens	Lumens%	Low(0-30):	7,384.7	11.1%	Medium(30-60):	25,326.8	38.1%	High(60-80):	9,321.1	14%	Very High(80-90):	296.9	0.4%		Lumens	Lumens%	Low(0-30):	6,029.5	9.1%	Medium(30-60):	13,478.2	20.3%	High(60-80):	3,694.9	5.6%	Very High(80-90):	230.9	0.3%		Lumens	Lumens%	High(90-100):	55.1	0.1%	Very High(100-180):	565.5	0.9%
		Lumens	Lumens%																																						
Low(0-30):	7,384.7	11.1%																																							
Medium(30-60):	25,326.8	38.1%																																							
High(60-80):	9,321.1	14%																																							
Very High(80-90):	296.9	0.4%																																							
	Lumens	Lumens%																																							
Low(0-30):	6,029.5	9.1%																																							
Medium(30-60):	13,478.2	20.3%																																							
High(60-80):	3,694.9	5.6%																																							
Very High(80-90):	230.9	0.3%																																							
	Lumens	Lumens%																																							
High(90-100):	55.1	0.1%																																							
Very High(100-180):	565.5	0.9%																																							

500W (GLZ4-T3M) Polar Candela	ROADWAY SUMMARY	LCS Table																																							
	Distribution: TYPE III, SHORT Max Cd, 90 Deg Vert: 283.8 Max Cd, 80 to <90 Deg: 3,364.4 <hr/> Downward Street Side: 51,686.3 63.5% Downward House Side: 28,924.7 35.5% Downward Total: 80,611.0 99% Upward Street Side: 259.7 0.3% Upward House Side: 504.5 0.6% <hr/> Upward Total: 764.2 0.9% Total Lumens: 81,375.2 100%	BUG Rating <u>B5 - U4 - G5</u> Forward Light <table border="1"> <thead> <tr> <th></th> <th>Lumens</th> <th>Lumens%</th> </tr> </thead> <tbody> <tr> <td>Low(0-30):</td> <td>8,825.0</td> <td>10.8%</td> </tr> <tr> <td>Medium(30-60):</td> <td>29,803.1</td> <td>36.6%</td> </tr> <tr> <td>High(60-80):</td> <td>12,683.3</td> <td>15.6%</td> </tr> <tr> <td>Very High(80-90):</td> <td>374.9</td> <td>0.5%</td> </tr> </tbody> </table> Back Light <table border="1"> <thead> <tr> <th></th> <th>Lumens</th> <th>Lumens%</th> </tr> </thead> <tbody> <tr> <td>Low(0-30):</td> <td>7,400.0</td> <td>9.1%</td> </tr> <tr> <td>Medium(30-60):</td> <td>16,519.5</td> <td>20.3%</td> </tr> <tr> <td>High(60-80):</td> <td>4,733.7</td> <td>5.8%</td> </tr> <tr> <td>Very High(80-90):</td> <td>271.5</td> <td>0.3%</td> </tr> </tbody> </table> Uplight <table border="1"> <thead> <tr> <th></th> <th>Lumens</th> <th>Lumens%</th> </tr> </thead> <tbody> <tr> <td>High(90-100):</td> <td>70.6</td> <td>0.1%</td> </tr> <tr> <td>Very High(100-180):</td> <td>693.6</td> <td>0.9%</td> </tr> </tbody> </table> Trapped Light: 25.8 0%		Lumens	Lumens%	Low(0-30):	8,825.0	10.8%	Medium(30-60):	29,803.1	36.6%	High(60-80):	12,683.3	15.6%	Very High(80-90):	374.9	0.5%		Lumens	Lumens%	Low(0-30):	7,400.0	9.1%	Medium(30-60):	16,519.5	20.3%	High(60-80):	4,733.7	5.8%	Very High(80-90):	271.5	0.3%		Lumens	Lumens%	High(90-100):	70.6	0.1%	Very High(100-180):	693.6	0.9%
		Lumens	Lumens%																																						
Low(0-30):	8,825.0	10.8%																																							
Medium(30-60):	29,803.1	36.6%																																							
High(60-80):	12,683.3	15.6%																																							
Very High(80-90):	374.9	0.5%																																							
	Lumens	Lumens%																																							
Low(0-30):	7,400.0	9.1%																																							
Medium(30-60):	16,519.5	20.3%																																							
High(60-80):	4,733.7	5.8%																																							
Very High(80-90):	271.5	0.3%																																							
	Lumens	Lumens%																																							
High(90-100):	70.6	0.1%																																							
Very High(100-180):	693.6	0.9%																																							