

RIO / RIQ

Asymmetrical LED Inground Flood Light

Project: _____
 Type: _____
 Model: _____

Features:

- HOUSING MATERIALS** | Die-casting dark grey powder coated aluminum
T=60~80 um./Adhesion of ISO class, 1.ATM class 4B
- FRONT COVER** | Chrome plated stainless steel SUS 316#
- GLASS LENS** | Tempered step glass. T=8mm
- DIMMABLE** | Yes*
- CONCRETE POUR KIT / SLEEVE** | ABS
- WATER-TIGHT CABLE GLAND** | IP68
- REFLECTOR** | Asymmetrical Optical reflector 45°/35°
- LED** | OSRAM
- OPERATING TEMPERATURE** | -4°F to 104°F
- POWER CABLE** | H05RN-F 2X1.0mm² L=0.5m (low voltage)
- FIXTURE IP/ IK Rating** | IP66 Rated / IK08

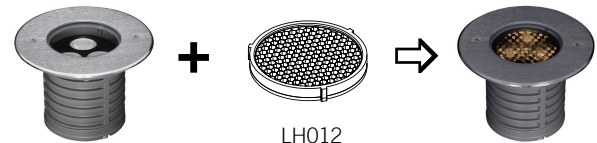


RIO



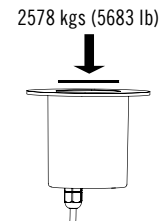
RIQ

OPTIONAL LOUVER

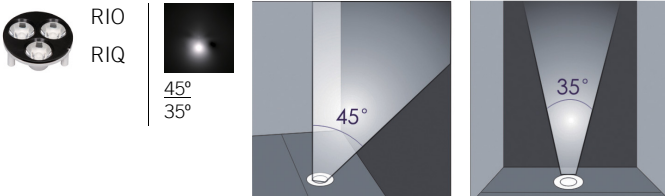


LH012
Optional Accessory
Hexcell Louver

GLASS PRESSURE CAPACITY



OPTICS



Example: RIQ-3L20K-D45/35-X-SS



Series	Lumens (CCT)			Asymmetrical Beam Angle	Accessory	Voltage	Finish
RIO Round Inground 5.2 Watts	3L20K 3L (2000K) 328 Lumens	3L30K 3L (3000K) 365 Lumens	3L50K 3L (5000K) 372 Lumens	D45/35 45°/35°	Leave Blank	X 24 Volts	SS Stainless Steel 316
RIQ Square Inground 5.2 Watts					LH012 Hexcell Louver Accessory	Requires remote 24V transformer. For dimming, refer to specs of transformer you are using.*	

Enter configuration: _____

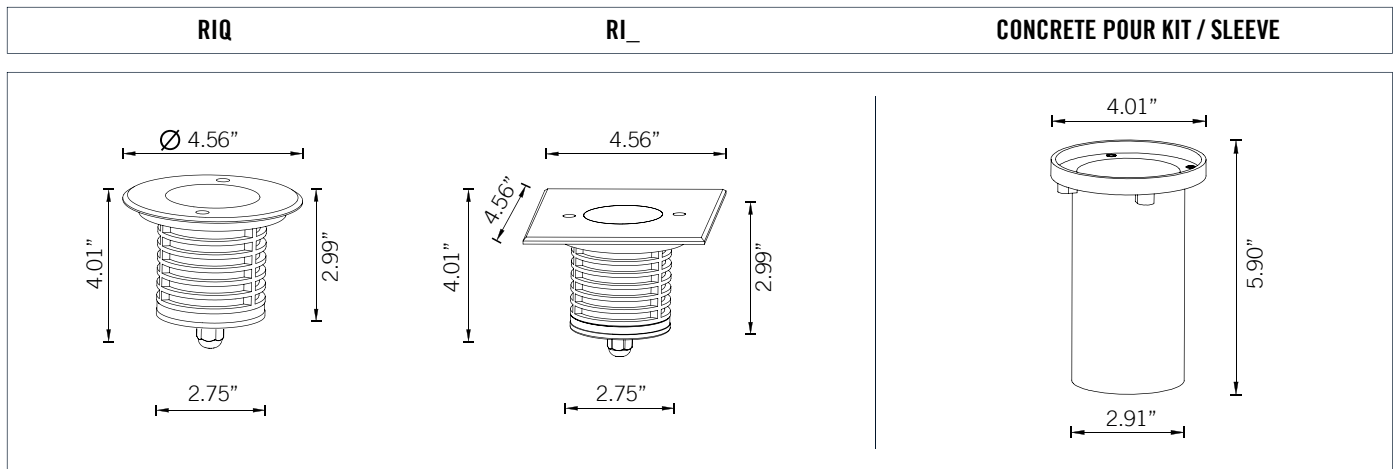
** Special Order

Dimensions and values shown are nominal. LuminosoLED continually works to improve products and reserves the right to make changes which may alter the performance or appearance of products.

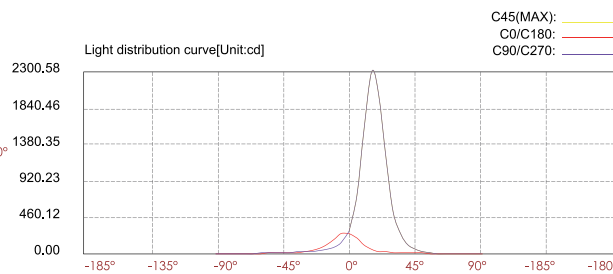
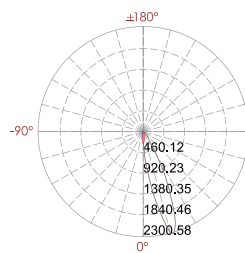
PERFORMANCE DATA

Series	RIQ
Power	5.2W
Lumens	376 (20K) 479 (30K) 500 (50K)
IP Rating	IP66
Operating Temp.	-4°F to 104°F
Input	24V

DIMENSIONS



PHOTOMETRIC CURVES



Lux distance curve

Center beam LUX	Illuminance at a distance	
	Beam width V	Beam width H
2m	0.6m	0.5m
4m	1.2m	1.1m
6m	1.9m	1.6m
8m	2.5m	2.2m
10m	3.1m	2.7m
12m	3.7m	3.3m

Ver,Spread:17,6 Horiz,Spread:15,6