

Ac [Vfē		SRV
Ej aVf		
> Uμ		

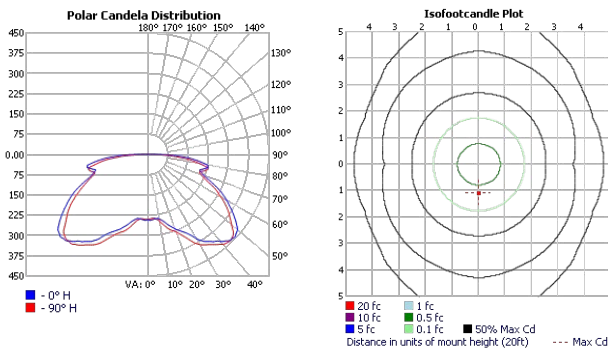
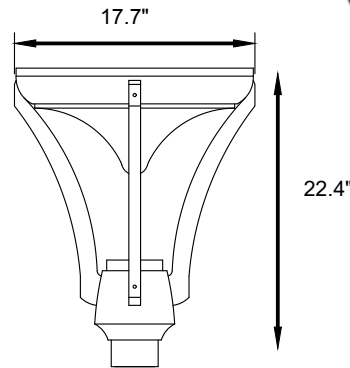
## LSP-B Series SOLAR LED Post Top

### PRODUCT DESCRIPTION

- High brightness LED 18 chips, 0.09W each, 14W LED Power.
- 20Ah 12.8V LITHIUM LIFE04 battery, with fast charging, working temperature 5°F to 149°F.
- 33 Watt Monocrystalline Solar Panel, Grade A Solar Cells.
- INTERPON AKZONOBEL coating.
- 5 Year Warranty.

### PERFORMANCE SUMMARY

Delivered Light Output: 1,800 Lumens
14 Watts
CCT: 3000K, 4000K, 5000K
Standard Lifetime: Designed to L70 minimum 50,000 hours
IP Rating: IP65
Charging: 6 Hours / Day, direct sun light
Atonomy: 23 Hours
PHILIPS LUXEON Module



### ORDER INFORMATION

EXAMPLE: LSP-B-14W-SP-40K-5M-16-BK-4MTR



Series	Size	Watts	Voltage	CCT	Optics	Mount	Finish
LSP	B	14W	SP=Solar Power	30K = 3000K 40K = 4000K 50K = 5000K	5M	16 = Slip Fitter	BK = Black

Enter configuration:

\*\* Special Order / contact vendor

