

DESCRIPTION

The Amber LED Fixture is engineered for versatile outdoor applications, offering multiple mounting configurations including post top, pole mount, surface mount, wall mount, and pendant options. Emitting a 590nm amber wavelength, it is ideal for environmentally sensitive areas while providing effective nighttime illumination. Constructed with a durable, weather-resistant housing, this fixture is designed to withstand harsh outdoor conditions while delivering reliable, energy-efficient performance across a wide range of architectural and site lighting applications.

SPECIFICATIONS

Construction:

- Rugged die-cast aluminum construction delivers long-lasting durability and dependable performance in even the most demanding environments.

Optics:

- Turtle and wildlife-friendly 590nm amber light.
- Type II, Type III, Type IV and Type V.
- External Half Glare shield is available.

Electrical:

- Standard with 0-10V dimming driver(s) from 1% to 100%.
- 120-277VAC / 50/60Hz.
- THD: $\leq 20\%$
- Designed to withstand surges of up to L/N-PE:10kV
- 3.3ft (39.4") long power cord provided for easier installation.

Controls:

- Photocell and Motion Sensor optional.

Ambient Temperature:

- Ambient operating temperature -40°F to 113°F.

Lifespan:

- Estimated 50,000-hour LED lifespan based
- on IES LM-80 results and TM-21 calculations

| | |
|----------|------|
| Project: | Date |
| Type: | |
| Model: | |



ORDER INFORMATION

EXAMPLE: YT-PT-63W-Y-AMB-3M-HGS-BK



| Series | Mounting | Wattage | Voltage | LED Color | Optics | Photocell | Sensor options | Back-light Shield | Emergency Battery Back-up | Finish | | |
|--------------------------------------|--|------------------------|----------------------|---------------------------|-----------|------------------------------|---|---------------------------------|---------------------------|----------------------|--|----------------------|
| YT Amber LED Light Turtle Safe | PT Post Top Mount | 63W 63 Watts | Y 120-277V | AMB Amber 590nm | 2M | Blank No photocell | Blank No sensor | Blank No shield | Blank No EB | BK** Black | | |
| | PA** Pole Mount Arm* | | | | 3M | PC with photocell | MS Motion Sensor | HGS Half Glare Shield | | | EB Emergency Battery Back-up | WH** White |
| | SM** Surface Mount | | | | 4M | | MSB Motion Sensor w/ Bluetooth | | BZ Bronze | | | |
| | WM** Wall Mount | | | | 5M | | | | | | | |
| | PD** 3/4" NPS Pendant Mount | | | | | | | | | | | |

Enter configuration:

* Pole mount brackets works for Round or Square Poles.

** Contact factory for lead-time

Dimensions and values shown are nominal. LuminosoLED continually works to improve products and reserves the right to make changes which may alter the performance or appearance of products.

PERFORMANCE DATA

| Model | Wattage | Lumens | Efficacy | LED Color | Power Factor | Frequency | Voltage |
|-------|---------|--------|----------|-------------|--------------|-----------|----------|
| YTPT | 63W | 1,800 | 28 | Amber 590nm | >0.9 | 50/60Hz | 120-277V |

ELECTRICAL DATA

| Model Series | Wattage(W) | Current (A) | | | | |
|--------------|------------|-------------------|------|------|------|-----|
| | | Input Voltage (V) | | | | |
| | | 120 | 200 | 240 | 277 | 347 |
| YTPT | 63 | 0.58 | 0.35 | 0.29 | 0.25 | 0.2 |

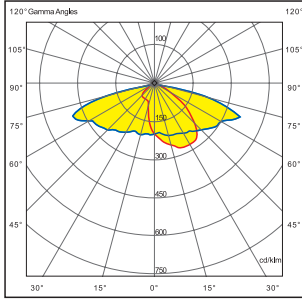
EPA *Data: Luminaire & integral mounting arm (0°tilt). Other tenons, arms, brackets or other accessories are not included.

| Model | EPA(ft ²) | | | | | | |
|-------|--|------|--------|------|-------|-------|----------------|
| | Pole Mount Arm for Round or Square Poles | | | | | | Post Top Mount |
| | Single | 2@90 | 2@180° | @90° | @120° | 4@90° | Single |
| | | | | | | | |
| YTPT | 3.51 | 3.93 | 4.23 | 4.28 | 4.24 | 4.28 | 4.45 |

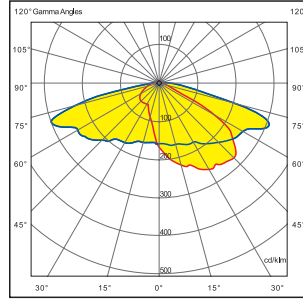
PHOTOMETRICS

Luminoso LED provides a comprehensive range of optical systems, catering to diverse site lighting needs. Offering exceptional flexibility, these systems enable precise customization of light distribution patterns to perfectly align with specific site requirements.

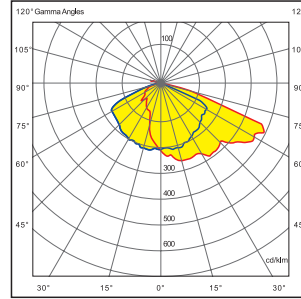
Type 2



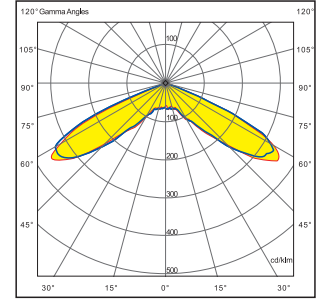
Type 3



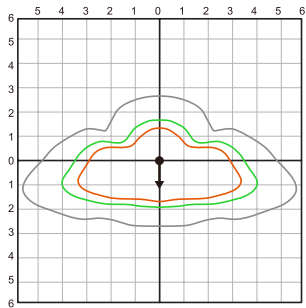
Type 4



Type 5 (Standard)

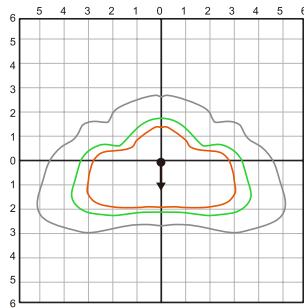


Isoillumiance



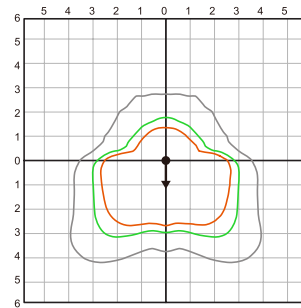
■ 0.1 Fc ■ 0.5 Fc ■ 1 Fc
Isofootcandle plots for the 125W.
Distances are in units of mounting height(15ft)

Isoillumiance



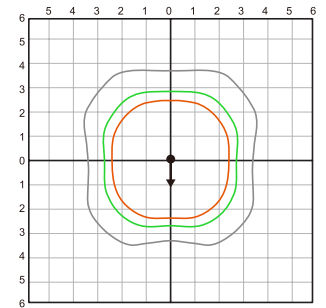
■ 0.1 Fc ■ 0.5 Fc ■ 1 Fc
Isofootcandle plots for the 125W.
Distances are in units of mounting height(15ft)

Isoillumiance



■ 0.1 Fc ■ 0.5 Fc ■ 1 Fc
Isofootcandle plots for the 125W.
Distances are in units of mounting height(15ft)

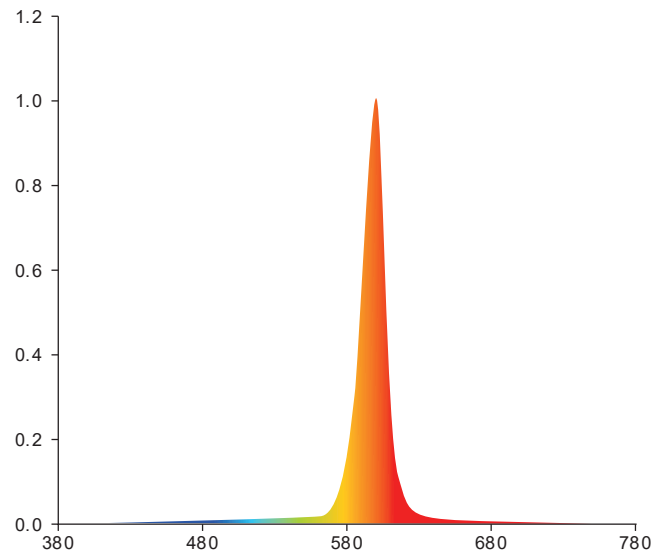
Isoillumiance



■ 0.1 Fc ■ 0.5 Fc ■ 1 Fc
Isofootcandle plots for the 125W.
Distances are in units of mounting height(15ft)

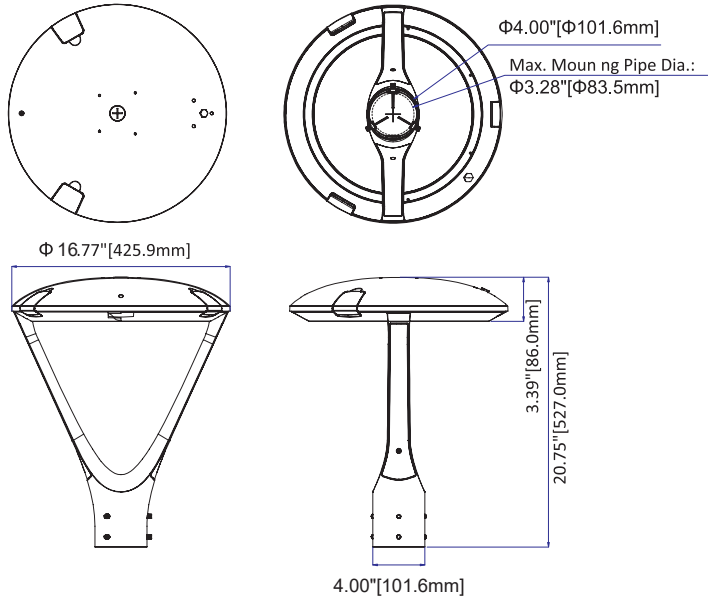
SPECTRAL CHART

Relative Spectrum

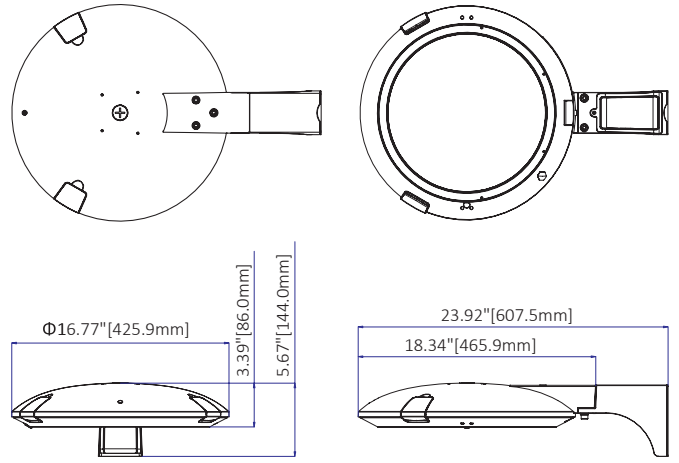


DIMENSIONS & WEIGHT

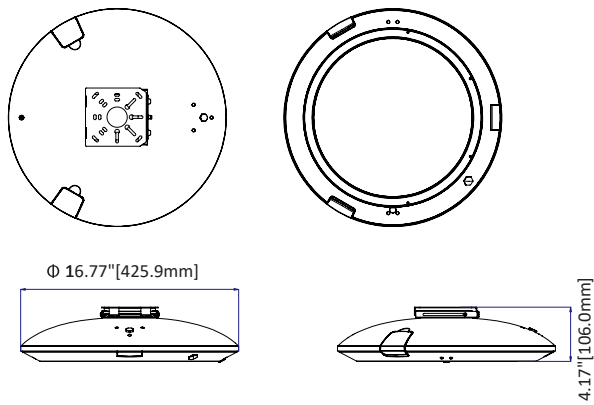
Post Top Mount



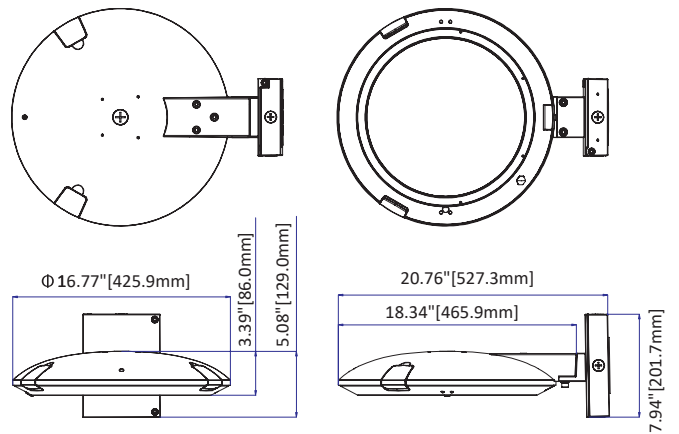
Pole Mount Arm for Round or Square Poles



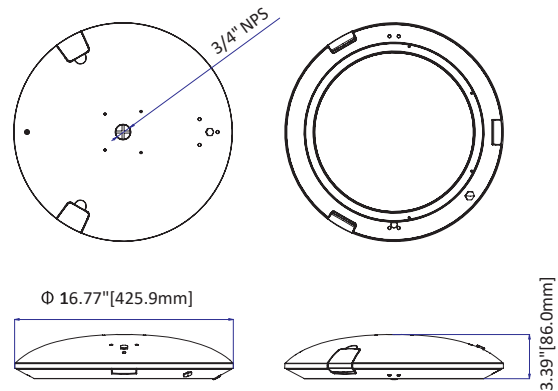
Surface Mount



Wall Mount

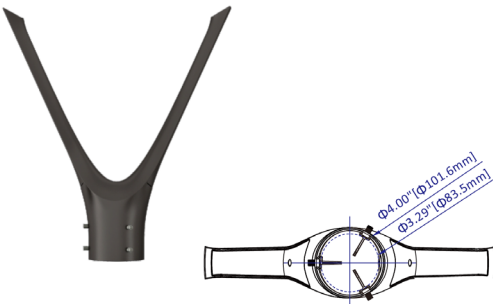
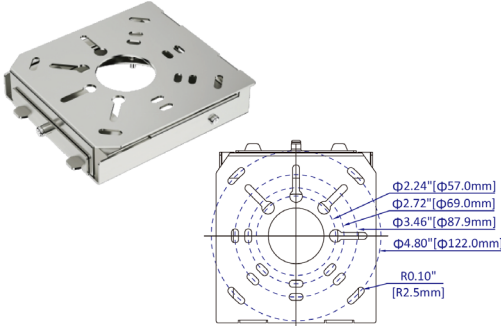
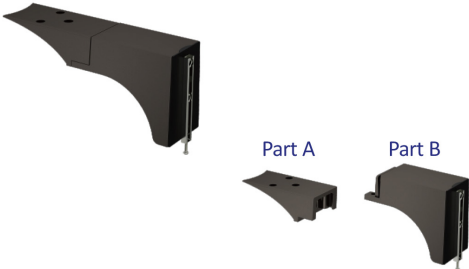
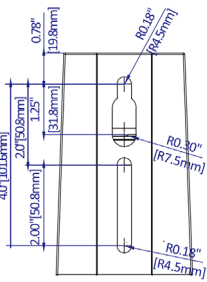
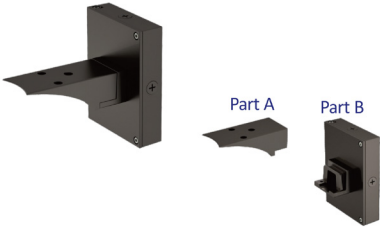
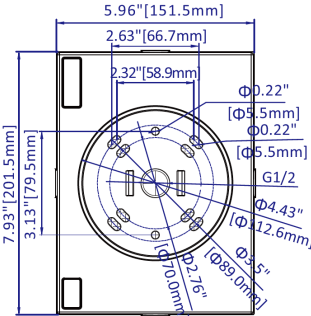


Pendant Mount (3/4" NPS Conduit not included)



MOUNTS & BRACKET OPTIONS

May be packaged separately (Sold separately)

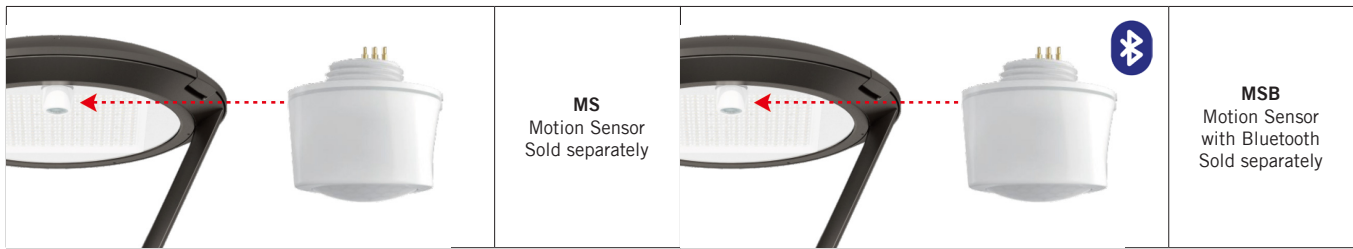
| | | | |
|--|--|---|-----------------------------|
|  <p>PT Post Top Mount</p> <p> $\Phi 4.00"$ [$\Phi 101.6\text{mm}$] $\Phi 3.25"$ [$\Phi 83.5\text{mm}$] </p> | <p>PT Post Top Mount</p> |  <p>SM Surface Mount</p> <p> $\Phi 2.24"$ [$\Phi 57.0\text{mm}$] $\Phi 2.72"$ [$\Phi 69.0\text{mm}$] $\Phi 3.46"$ [$\Phi 87.9\text{mm}$] $\Phi 4.80"$ [$\Phi 122.0\text{mm}$] $R0.10"$ [$R2.5\text{mm}$] </p> | <p>SM Surface Mount</p> |
|  <p>Part A Part B</p> |  <p> $0.78"$ [19.8mm] $1.25"$ [31.8mm] $4.07"$ [103.6mm] $2.07"$ [50.8mm] $2.00"$ [50.8mm] $R0.18"$ [$R4.5\text{mm}$] $R0.30"$ [$R7.5\text{mm}$] $R0.18"$ [$R4.5\text{mm}$] </p> | <p>PA Square & Round Pole Mount</p> | |
|  <p>Part A Part B</p> |  <p> $5.96"$ [151.5mm] $2.63"$ [66.7mm] $2.32"$ [58.9mm] $7.93"$ [201.5mm] $3.13"$ [79.5mm] $\Phi 0.22"$ [$\Phi 5.5\text{mm}$] $\Phi 0.22"$ [$\Phi 5.5\text{mm}$] $G1/2$ $\Phi 4.43"$ [$\Phi 112.6\text{mm}$] $\Phi 3.5"$ [$\Phi 89.0\text{mm}$] $\Phi 2.76"$ [$\Phi 70.0\text{mm}$] </p> | <p>WM Wall Mount</p> | |

ACCESSORIES

Control Options (purchase separately)



Sensor Options (purchase separately)



Sensor Options (purchase separately)



Emergency Battery Back-up (Optional)



ACCESSORIES (Glare Control Shield)

Field-installable / Field-Use ONLY (purchase separately)

