

## PRODUCT DESCRIPTION

Introducing the Luminoso LHB2 130W: the latest innovation in LED high bay and vapor tight lighting, now with even higher efficacy and an impressive 90 CRI for superior color accuracy. Featuring a sleek, low-profile linear design, the LHB2 seamlessly replaces T8 and T5 fixtures while elevating the look of any space. Its wide distribution angle ensures outstanding illumination across gymnasiums, warehouses, garages, manufacturing plants, and service areas. With an extended lifespan of over 50,000 hours, energy savings exceeding 75%, and enhanced color rendering, the LHB2 delivers exceptional lighting quality, efficiency, and performance.

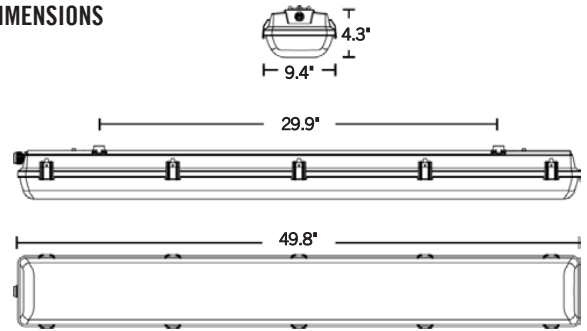
## SPECIFICATION

- Efficacy: 128 Lm/W
- Delivered Light Output: 16,681 Lumens
- CCT: 4000K & 5000K
- Wattage: 130W
- CRI: Ra>90
- Input Voltage: 120-277 VAC
- Input current: 0.4 -0.17A
- THD: <20% (120V)
- Power Factor >0.95 (120V)
- Frequency: 50/60Hz
- Standard Warranty: 5 Years
- Standard Lifetime: Designed to L70 minimum 50,000 hours
- Dimming: 0-10V dimming (10%-100%)
- IP Rating: IP65
- Operating temp: -40°F to 113°F

Project:	Date
Type:	
Model:	



## DIMENSIONS



## ORDER INFORMATION

EXAMPLE: LHB2-14-130W-50K-J-Y-FR



Series	Mount	Wattage	CCT	Optics	Voltage	Lens	Sensor Options	Accessories
LHB2-130W High Bay / Vapor Tight	14 Direct Mount	130W 130 watts	40K** 4000K	J 120°	Y Y = 120-277V	FR Frosted	Blank = None	Blank = None
			50K 5000K				HFD = High Frequency Doppler**	3HK = 3 Meter Hanging Kit**  5HK = 5 Meter Hanging Kit**

Enter configuration:

\*\*6-8 Weeks lead time / contact vendor

Dimensions and values shown are nominal. LuminosoLED continually works to improve products and reserves the right to make changes which may alter the performance or appearance of products.

**PERFORMANCE DATA**

Model	Voltage	Wattage	Color Temperature	CRI	Lumens	Life Span	Beam	Driver	Efficacy
LHB2-130W	120-277V	130W	4000K / 5000K	>90	16,681	50,000 hrs	120°	MEAN WELL IP67	128lm/W

**PHOTOMETRIC**

