

# LED Flat Panel Surface Mount Kits

## Applications

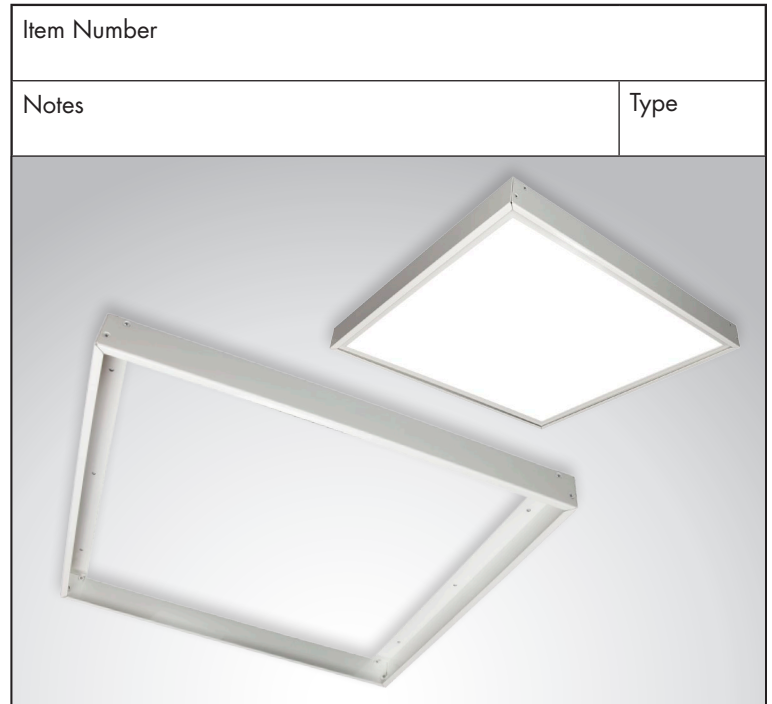
Our SMK surface mount kits are an accessory designed especially for LED Flat Panels. These kits provide an aesthetically pleasing style and an ultra low-profile silhouette. Ideal for field installation on insulated or non-insulated sheet rock ceilings.

## Construction

- Durable 18 gauge aluminum frame; 0.067" thick (1.7mm)
- Post-painted in white powder coat paint
- Easy-to-assemble for quick field installation
- Ultra low-profile design

## Compliance

- cULus Recognized Luminaire Fitting



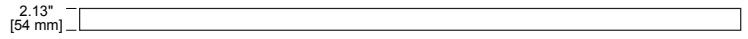
<p><b>Listings</b>  cULus – damp location listed    RoHS Compliant</p>
--

## Catalog Ordering Code (kits ordered as accessory sold separately)

Item #	SIZE	DIMENSIONS (L x W x D)	WEIGHT (does not include fixture weight)	FINISH	
SMK14	1x4	48" x 12" x 2.13" (1219mm x 300mm x 54mm)	2.6 lbs. (1.18 kg)	White	
SMK22	2x2	24" x 24" x 2.13" (609mm x 609mm x 54mm)	1.9 lbs. (0.86 kg)	White	
SMK24	2x4	48" x 24" x 2.13" (1219mm x 609mm x 54mm)	3.0 lbs. (1.36 kg)		

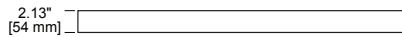
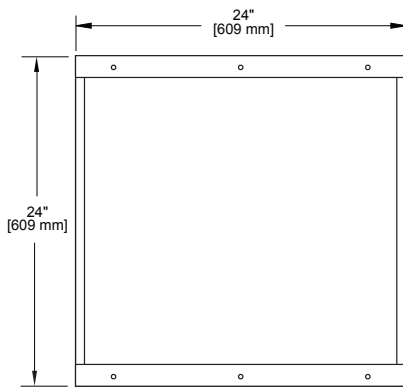
## Dimensions and Weight

### SMK14 – 1x4 Kit



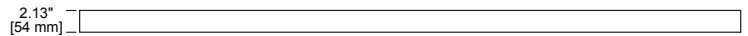
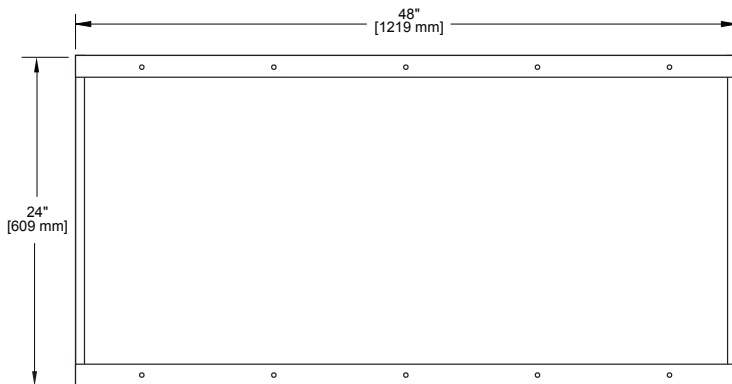
Length: 48" (1219mm)  
Width: 12" (300mm)  
Depth: 2.13" (54mm)  
Weight: 2.6 lbs. (1.18kg)

### SMK22 – 2x2 Kit



Length: 24" (609mm)  
Width: 24" (609mm)  
Depth: 2.13" (54mm)  
Weight: 1.9 lbs. (0.86kg)

### SMK24 – 2x4 Kit



Length: 48" (1219mm)  
Width: 24" (609mm)  
Depth: 2.13" (54mm)  
Weight: 3.0 lbs. (1.36kg)