

Project: \_\_\_\_\_

Type: \_\_\_\_\_

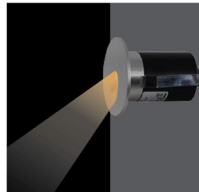
Model: \_\_\_\_\_

**Features:**

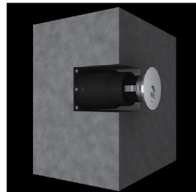
- HOUSING MATERIALS** | Die-casting dark grey powder coated aluminum.  
T=20-25 um. Adhesion of ISO class, 1.ASTM class 4B
- FRONT COVER** | Hard chrome-plated stainless steel SUS 316#
- LED** | SMD3030
- DIMMABLE** | Yes\*
- J-BOX** | ABS
- WATER-TIGHT CABLE GLAND** | IP67
- OPERATING TEMPERATURE** | -4°F to 113°F
- POWER CABLE** | H05RN-F 2X1.0mm<sup>2</sup> L=0.5m (24 Volts)
- FIXTURE IP/ IK Rating** | IP65 Rated / IK10

**MOUNTING OPTIONS**

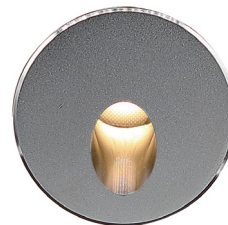

Cut-out



Pressure clips snaps into wall



ABS sleeves allows for install to concrete wall.



RSU-R



RSU-S


**Example: RSU-S-0L30K-X-SS**


Series	Trim Shape	Lumens (CCT)			Voltage	Finish
		0L20K	0L30K	0L40K		
RSU 2.4 Watts	<b>R</b> Round	0L (2000K) 30 Lumens	0L (3000K) 36 Lumens	0L (4000K) 45 Lumens	X X = 24 Volts	SS Stainless Steel
	<b>S</b> Square					
					Requires remote 24V transformer. For dimming, refer to specs of transformer you are using.*	

Enter configuration: \_\_\_\_\_

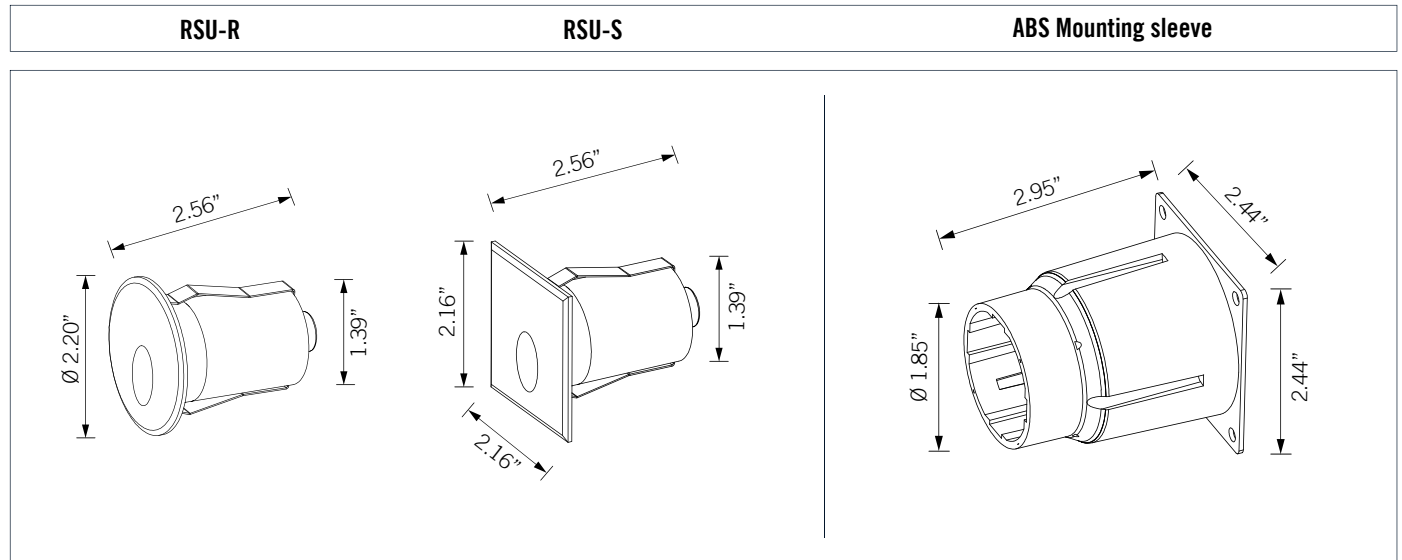
\*\* Special Order

Dimensions and values shown are nominal. LuminosoLED continually works to improve products and reserves the right to make changes which may alter the performance or appearance of products.

**PERFORMANCE DATA**

Series	RSU-R-S
Power	2.4W
Lumens	30 (20K) 36 (30K) 45 (40K)
IP Rating	IP65
Operating Temp.	-4°F to 113°F
Input	24V

**DIMENSIONS**



**PHOTOMETRIC CURVES**

