

DESCRIPTION

The LMT22 LED Troffer delivers high-quality illumination with 80+ CRI and an efficacy of 104–110 lumens per watt. Featuring both UL and DLC listings, it ensures reliable performance and energy efficiency. Available in 3500K, 4000K, and 5000K color temperatures with 0–10V dimming, it offers flexibility for a variety of lighting needs. Designed for recessed installation, it is ideal for both new construction and retrofit applications, making it a versatile solution for offices, retail environments, educational facilities, healthcare, hospitality, and government spaces.

FEATURES

- Efficacy: 104-110 Lm/W
- Delivered Lumens: 2,690 (35K) / 2,810 (40K) / 2,988 (50K) Lumens
- Delivered Lumens: 4,420 (35K) / 4,560 (40K) / 4,650 (50K) Lumens
- Power: 27 Watts / 40 Watts
- CRI: Ra>80
- CCT Options: 3500K, 4000K, 5000K
- Input Voltage: 120-277 VAC
- Input current: 0.4 - 0.16A
- THD:<20%
- Standard Warranty: 5 Year Warranty
- Standard Lifetime: Designed to L70 minimum 50,000
- hours Installation Options: Recessed
- Sign Current: 0.04-0.37 MA
- Dimmable: 1-10V (dims down to 10%)
- Dimensions: L 23.8" x W 23.8" x H 3.94"

Project:	Date
Type:	
Model:	



REGULATORY & VOLUNTARY QUALIFICATIONS

UL Listed	Yes
LM80 SMD	Yes

Recommend Dimmer:

Leviton cat,Nos:	Lutron cat,Nos:
AWRMG-7XX	AWSMG-7XX
AWSMT-7XX	IP710-LFZ/DLX
www.leviton.com	www.lutron.com/en-US

ORDER INFORMATION

EXAMPLE: LMT22-18-27W-50K-H-Y-EB



Series	Mounting	Wattage	CCT			Beam	Voltage	Emergency Battery Back-up
LMT22 2x2 Indirect Troffer	18 Lay in	27W 27 Watts	35K 3500K	40K 4000K	50K 5000K	H 80°	Y 120-277V	Leave Blank No Battery
		40W 40 Watts				F 90°		EB Emergency Battery Back-up

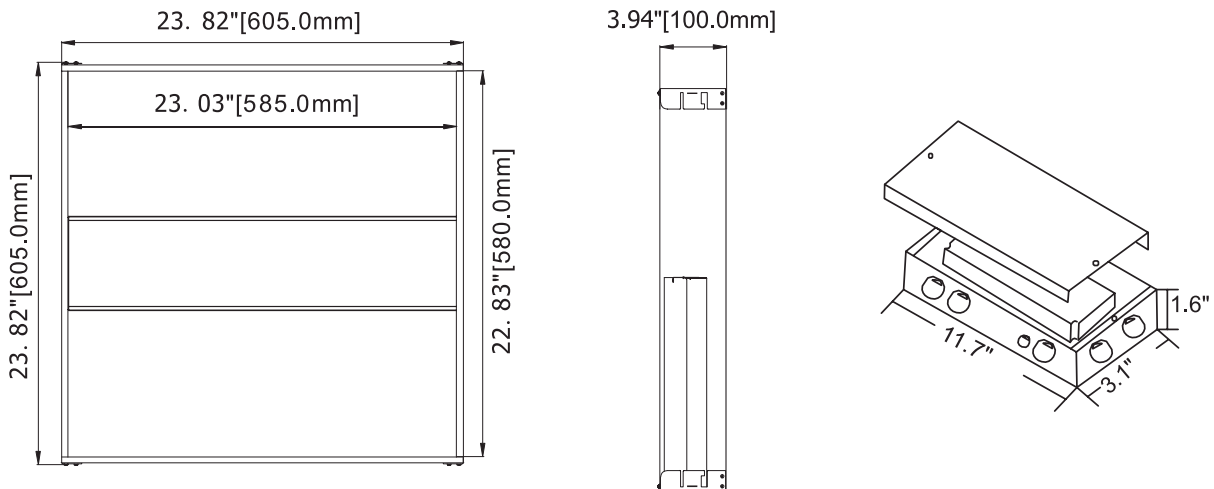
Enter configuration: _____

Dimensions and values shown are nominal. LuminosoLED continually works to improve products and reserves the right to make changes which may alter the performance or appearance of products.

PERFORMANCE DATA

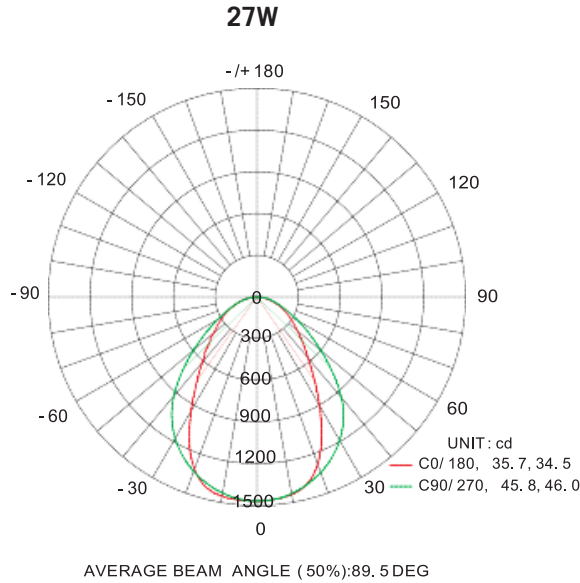
Series	LMT22 (2x2)	LMT22 (2x2)
Wattage	27W	35W
CCT	3500K / 4000K / 5000K	3500K / 4000K / 5000K
Lumens	2,690lm / 2,810lm / 2,988lm	4,420lm / 4,560lm / 34,650lm
Efficacy (LPW)	Up to 110 LPW	Up to 116 LPW
Beam	80°	90°
Input Voltage	120-277VAC 50/60Hz	120-277VAC 50/60Hz
Certifications	UL Listed, FCC, RoHS	UL Listed, FCC, RoHS
Operating Temp.	-13°F to 115°F	-13°F to 115°F
PF / THD	>0.9, <20%	>0.9, <20%
Dimming	1-10V (10%-100%)	1-10V (10%-100%)

DIMENSIONS

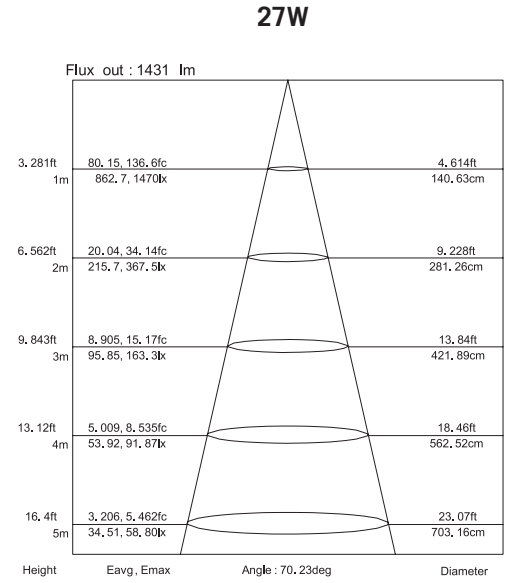


PHOTOMETRY

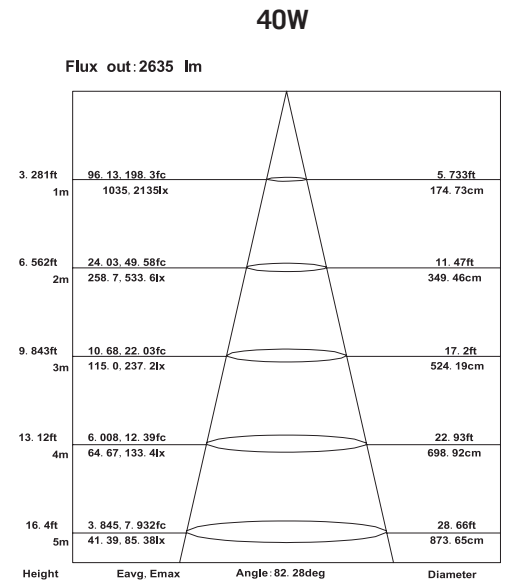
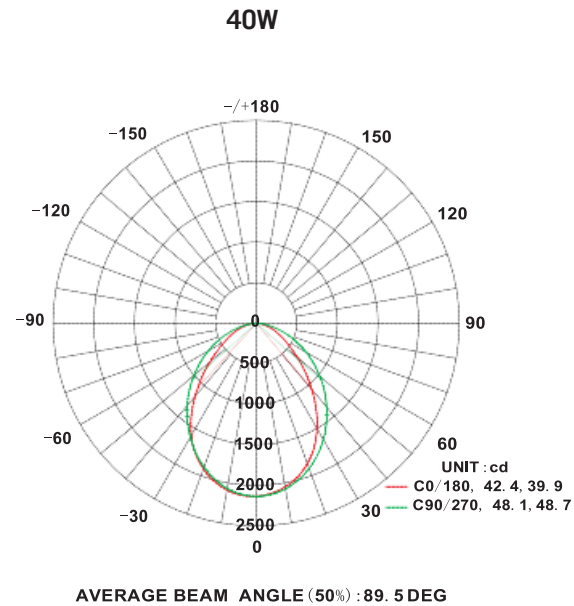
Fixture photometry has been conducted in accredited testing laboratory in accordance with IESNA LM-79-08.



AVERAGE ILLUMINANCE CURVE



Note: The Curves indicate the illuminated area and the average illumination when the luminaire is at different distance.



Note: The Curves indicate the illuminated area and the average illumination when the luminaire is at different distance.