

Project: \_\_\_\_\_

Type: \_\_\_\_\_

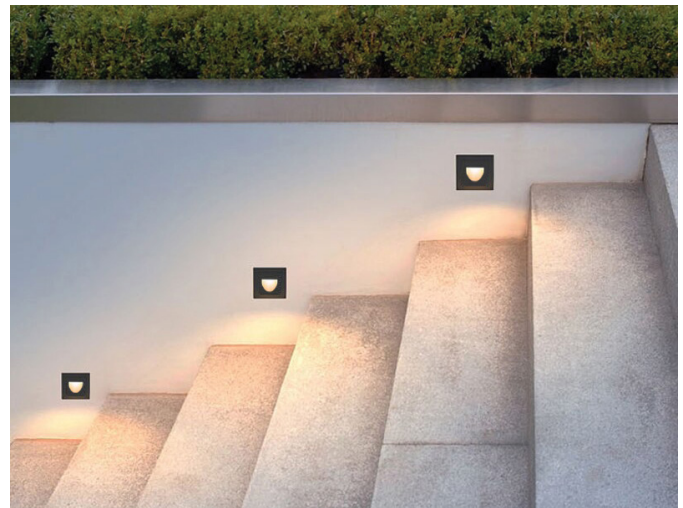
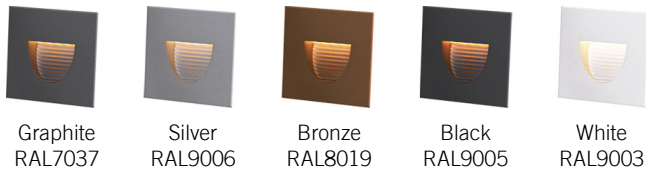
Model: \_\_\_\_\_

**Features:**

<b>HOUSING MATERIALS</b>	Die-casting dark grey powder coated aluminum. T=60-80 um. Adhesion of ISO class, 1.ASTM class 4B
<b>FRONT COVER</b>	Die-cast aluminum, powder coated.
<b>LED</b>	SMD3030
<b>DIMMABLE</b>	Yes*
<b>J-BOX</b>	ABS
<b>WATER-TIGHT CABLE GLAND</b>	IP67
<b>OPERATING TEMPERATURE</b>	-4°F to 113°F
<b>POWER CABLE</b>	H05RN-F 2X1.0mm <sup>2</sup> L=0.5m (24 Volts)
<b>FIXTURE IP/ IK Rating</b>	IP65 Rated / IK10



RSI


**FINISH OPTIONS**


Graphite RAL7037    Silver RAL9006    Bronze RAL8019    Black RAL9005    White RAL9003

**Example: RSI-1L30K-X-BK**


Series	Lumens (CCT)			Voltage	Finish
<b>RSI</b> 5.5 Watts	<b>0L20K</b> 0L (2000K) 94 Lumens	<b>1L30K</b> 1L (3000K) 100 Lumens	<b>1L40K</b> 1L (4000K) 103 Lumens	<b>X</b> X = 24 Volts	<b>BK</b> Black <b>WH</b> White <b>GR</b> Graphite <b>SV</b> Silver <b>BZ</b> Bronze
Requires remote 24V transformer. For dimming, refer to specs of transformer you are using.*					

Enter configuration: \_\_\_\_\_

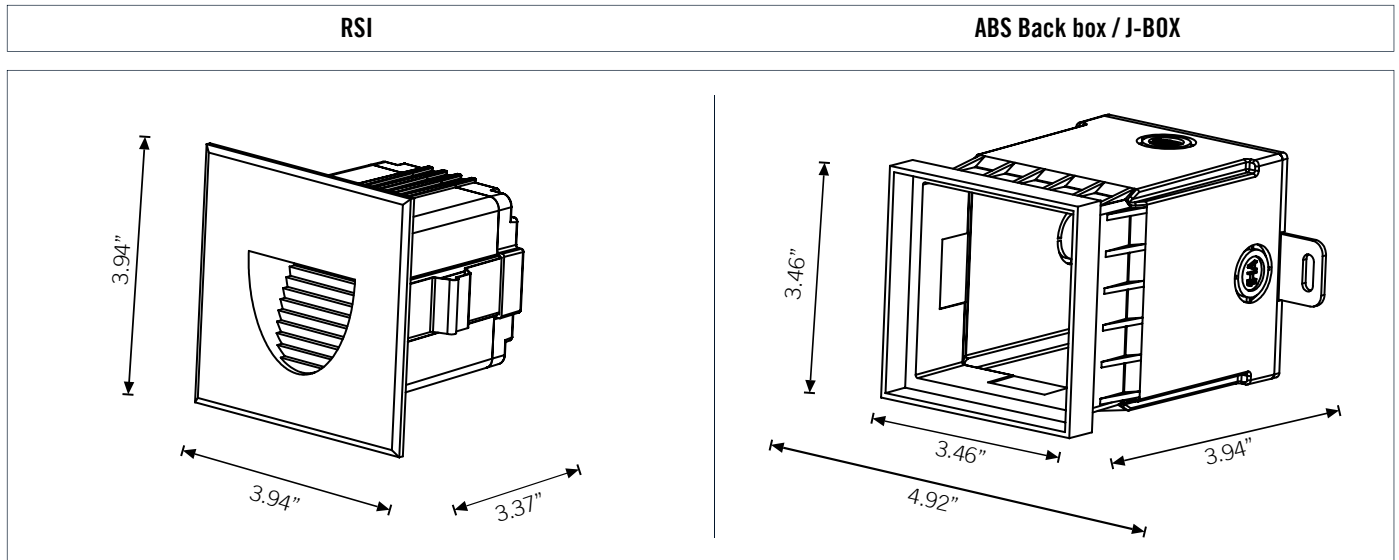
\*\* Special Order

Dimensions and values shown are nominal. LuminosoLED continually works to improve products and reserves the right to make changes which may alter the performance or appearance of products.

**PERFORMANCE DATA**

Series	RSI
Power	5.5W (10x 0.5W)
Lumens	94 (20K) 100 (30K) 103 (40K)
IP Rating	IP65
Operating Temp.	-4°F to 104°F
Input	24V

**DIMENSIONS**



**PHOTOMETRIC CURVES**

