

|         |  |      |
|---------|--|------|
| Project |  | Date |
| Type    |  |      |
| Model   |  |      |

## HBH3 CCTS WS Series LED High Bay

### FEATURES

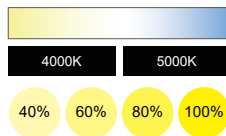
- Sealed die-casting profile for indoor and outdoor applications.
- Voltage, 120-277V.
- 97&215W CCT Selectable (4000K/5000K).
- Lumen output from 6,600-30,500lm with efficacy up to 165lm/W.
- 0-10V dimming.
- Replacing 250W MH and 400W MH.
- Operating temperature is -40°F to 122°F
- UL and DLC
- Hook mount, and surface mount available.
- 97W and 215W (120-277V)

### HBH3-SM (97W)

**Built-in Sensor (optional)**  
Integrated motion sensor for security & energy saving.



### CCT & POWER Adjustable



**CCT & Wattage Selectable**  
Offers 4 selectable lumen output. (40%/ 60%/ 80%/ 100%) and 2 CCTs (40K&50K)



(97W)



(215W)

### HBH3-LG (215W)

**Built-in Sensor (optional)**  
PIR sensors allows for security and energy saving.



97W



215W

### ORDER INFORMATION

EXAMPLE: HBH3-LG-WS-Y-CCTS-BK-FR



| Series | Size             | Wattage Selectable              | Voltage       | CCT Selectable                                | Finish        | Motion Sensor   |
|--------|------------------|---------------------------------|---------------|---|---------------|---|
| HBH3   | LG<br>Large 215W | WS<br>(215, 170, 128, 85 Watts) | Y<br>120-277V | CCTS<br>Color Temp. Selectable (4000K, 5000K) | BK<br>Black   | Blank<br>Standard   |
|        | SM<br>Small 97W  | WS<br>(97, 80, 60, 40 Watts)    |               |   | WH**<br>White | MS *<br>Motion Sensor<br><br>(External Sensor option for 215W ONLY) |

Enter configuration:

Dimensions and values shown are nominal. LuminosoLED continually works to improve products and reserves the right to make changes which may alter the performance or appearance of products.

\* External Sensor option for LG (215 Watts ONLY)  
SM (97 Watts has built in Motion Sensor)

\*\* Special order finish

**PERFORMANCE DATA**

| SYSTEM WATTS | VOLTAGE    | PHOTOMETRY | LUMENS<br>4000K(70CRI) | LPW<br>4000K(70CRI) | LUMENS<br>5000K(70CRI) | LPW<br>5000K(70CRI) |
|--------------|------------|------------|------------------------|---------------------|------------------------|---------------------|
| 97W          | 120-277VAC | High Bay   | 14,000lm               | 144 lm/W            | 13,800lm               | 142 lm/W            |
| 215W         | 120-277VAC | High Bay   | 30,500lm               | 142 lm/W            | 30,300lm               | 141 lm/W            |

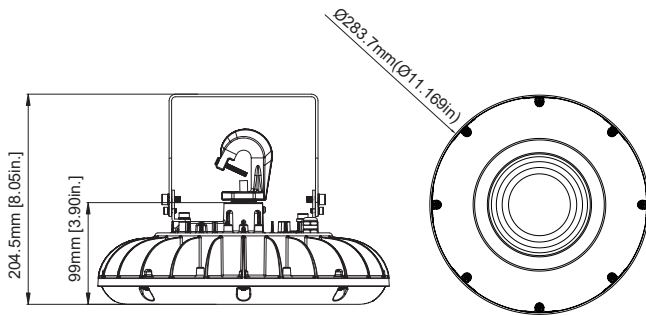
**ADJUSTABLE LUMEN OUTPUT TABLE**

| SETTING | CCT   | 97W             |                   |                | 215W            |                   |                |
|---------|-------|-----------------|-------------------|----------------|-----------------|-------------------|----------------|
|         |       | SYSTEM<br>WATTS | LUMENS<br>(70CRI) | LPW<br>(70CRI) | SYSTEM<br>WATTS | LUMENS<br>(70CRI) | LPW<br>(70CRI) |
| 100%    | 4000K | 97              | 14,000            | 144            | 215             | 30,500            | 142            |
|         | 5000K | 97              | 13,800            | 142            | 215             | 30,300            | 141            |
| 80%     | 4000K | 80              | 11,700            | 146            | 170             | 25,000            | 147            |
|         | 5000K | 80              | 11,500            | 144            | 170             | 24,500            | 144            |
| 60%     | 4000K | 60              | 9,000             | 150            | 128             | 20,000            | 156            |
|         | 5000K | 60              | 8,900             | 148            | 128             | 19,500            | 152            |
| 40%     | 4000K | 40              | 6,700             | 168            | 85              | 13,700            | 161            |
|         | 5000K | 40              | 6,600             | 165            | 85              | 13,500            | 159            |

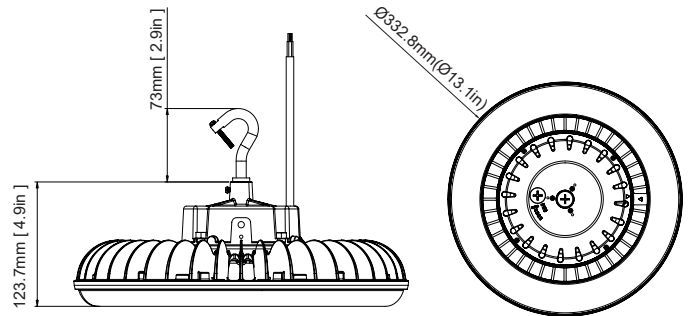
**ELECTRICAL DATA**

| Number Of Drivers | Driver Current<br>(mA) | Nominal Power<br>(W) | INPUT VOLTAGE<br>(V) | CURRENT<br>(Amps) |
|-------------------|------------------------|----------------------|----------------------|-------------------|
| 1                 | 850                    | 97                   | 120                  | 0.81              |
|                   |                        | 97                   | 208                  | 0.47              |
|                   |                        | 97                   | 240                  | 0.40              |
|                   |                        | 97                   | 277                  | 0.35              |
| 1                 | 830                    | 215                  | 120                  | 1.79              |
|                   |                        | 215                  | 208                  | 1.03              |
|                   |                        | 215                  | 240                  | 0.90              |
|                   |                        | 215                  | 277                  | 0.78              |

**DIMENSIONS**



Net Weight: 97W: 4.74 lbs(2.15kg)



Net Weight: 215W: 6.81 lbs(3.09kg)

**PHOTOMETRIC DATA**

