

FEATURES

Construction:

- Rugged one-piece, die-cast aluminum housing secures the thermally conductive LED panel and electrical chamber.
- Housing is completely sealed against moisture and environmental contaminants.
- IK08 Rated

Optics:

- Available in IES Type III, IV, V, and 90°x120° distributions.
- CCT Selectable engine, 3000K, 4000K and 5000K (70 CRI) configurations.
- Lumen Packages from 12,201 to 48,000 Lumens replaces up to 1000W Metal Halide.
- Optics are precisely designed to shape the distribution, maximizing efficiency and application spacing.

Electrical:

- 120-277 VAC input voltage
- Standard with 0-10V dimming driver(s)
- THD: ≤15%
- Power Factor: 0.95
- 20kV Surge Protection Standard

Ambient Temperature:

- Ambient operating temperature -40°F to 113°F

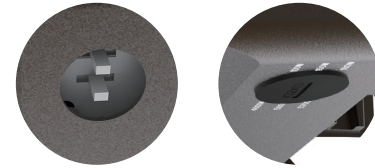
Lifespan:

- Estimated 70,000-hour LED lifespan based on IES LM-80 results and TM-21 calculations

Finish:



Project:	Date
Type:	
Model:	



Dip switch for Wattage & CCT Selectable.

ORDER INFORMATION

EXAMPLE: GLZ4-CCTS-WS150-Y-3M-SF-SV



Series	CCT Selectable	Wattage Selectable	Voltage	Optics	Mounting	Finish	Back-light Shield
GLZ4 Area Light	CCTS Selectable Color Temperature (3000K / 4000K / 5000K)	WS150 (150W / 120W / 80W)	Y 120-277V	3M	SF Slip Fitter	BK** Black	Blank Standard
		WS300 (300W / 240W / 185W)		4M 5M TO Tennis Optics (90°x120°)	DA Direct Arm YK Yoke TR Trunnion	WH** White BZ Bronze SV** Silver	BS** Back-light Shield

Enter configuration:

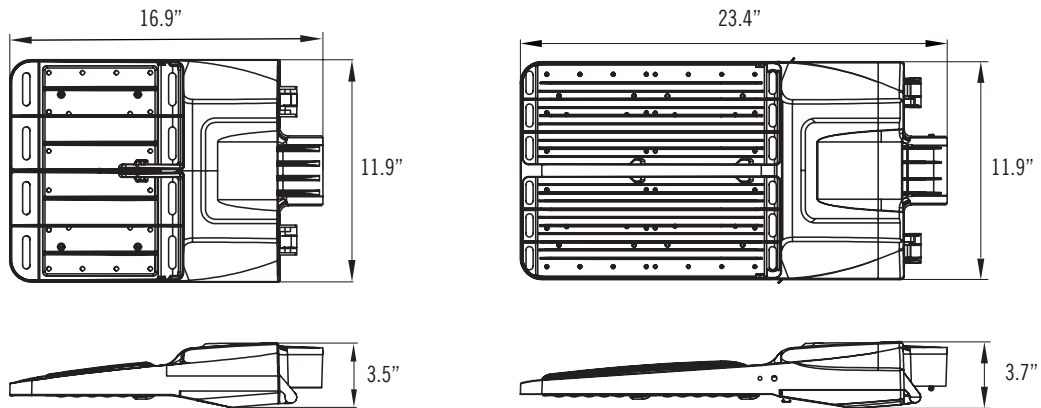
** Special Order / Made to order finish

Dimensions and values shown are nominal. LuminosoLED continually works to improve products and reserves the right to make changes which may alter the performance or appearance of products.

PERFORMANCE DATA

Series No.	GLZ4-WS150W	GLZ4-WS300W
Power	80W / 120W / 150W	185W / 240W / 300W
Lumens	12,800 / 19,200 / 24,000	29,600 / 38,400 / 48,000
Efficacy	160 Lm/W	160 Lm/W
Fixture Weight	14.1 lb	21.6 lb
EPA	0.23ft ²	0.42ft ²
Dimensions (L x W x H)	16 x 11.9 x 3.5 in	23.4 x 11.9 x 3.5 in
Input	120-277V	120-277V

DIMENSIONS



Mounting



Slip Fitter (ADJ.)



Direct Arm



Trunnion



Yoke

