

Project:	
Type:	
Model#	

EMF Series LED Flood Light

120-277V

PRODUCT DESCRIPTION

The Luminoso EMF 120-277V series combines modern styling with the latest LED technology. They are available in 15, 30, and 45 watts, 5000K. The lumen output makes this product ideal for nearly any exterior lighting application. With up to 70% energy savings over its traditional counterparts the EMF presents the future of area lighting.



PERFORMANCE SUMMARY

Efficacy: 100-113 Lm/W
Delivered Light Output: 1,500 - 5,100 Lumens
Input Power: 15, 30, 45 Watts
CRI: Ra > 70
CCT: 4000K, 5000K
Input Voltage: 120-277V
Power Factor: >0.95
Frequency: 50/60Hz
Standard Warranty: 5 Years
Standard Lifetime: 50,000 hours
IP Rating: IP66
Die-cast aluminum housing
National listing lab tested with IES standards

Swivel Mount



Trunnion Mount



ORDER INFORMATION

EXAMPLE: EMF-45W-Y-40K-B77-22-BZ



Series	Wattage	Voltage	CCT	Beam	Mount	Finish
EMF	15W 30W 45W	Y = 120-277V	40K = 4000K* 50K = 5000K	B77=7Hx7V	22= Trunnion Mount 26= Swivel Bracket	BZ=Dark Bronze

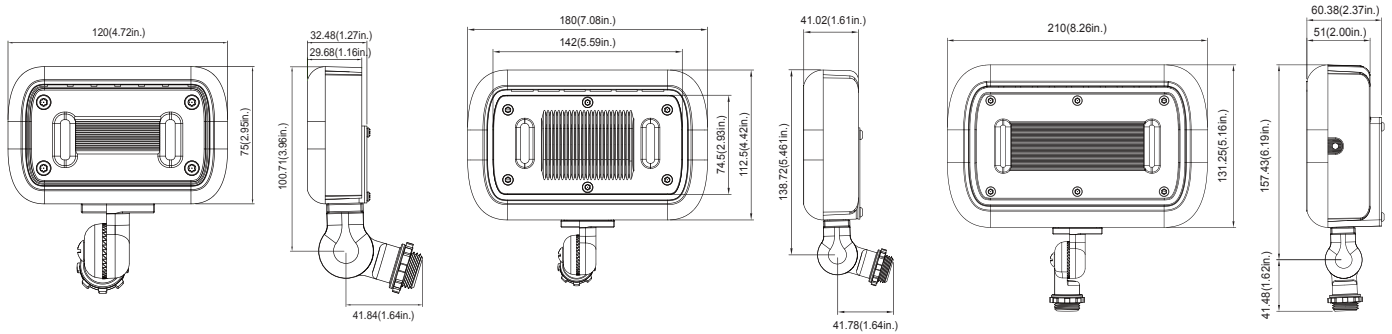
Enter configuration:

** Special Order / contact vendor

Series / Performance

Series No.	EMF-15W	EMF-30W	EMF-45W
Power	15W	30W	45W
Lumens	1,500	3,000	5,100
Efficacy	100 Lm/W	100 Lm/w	113 Lm/w
Operating Temp.	-40°F to 113°F	-40°F to 113°F	-40°F to 113°F
Dimensions (L x W x H)	1.2 x 4.7 x 3 in	1.6 x 7.1 x 4.4 in	2.4 x 8.2 x 5.2 in
Input	120-277V AC	120-277V AC	120-277V AC

Dimensions



Luminous Intensity Distribution Curve

