

WARNING

PLEASE READ ALL INSTRUCTIONS BEFORE ATTEMPTING INSTALLATION

- To prevent personal injury or product damage only licensed electricians should install.
- To avoid electric shock or component damage disconnect power before attempting installation or servicing.
- This product must be installed in accordance with the national electric code (NEC) and all applicable federal, state and local electric codes and safety standards.
- Disconnect product and allow cooling prior to servicing.
- Any alteration or modification of this product is expressly forbidden as it may cause serious personal injury, death, property damage and/or product malfunction.
- To prevent product malfunction and/or electrical shock this product must be properly grounded.
- This luminaire is designed to operate in ambient temperatures ranging from -40°C to 55°C and to be horizontally mounted with the LEDs facing down.
- This product must be installed in accordance with the applicable installation code by a Person familiar with the construction and operation of the product and the hazards involved.
- In 75°C supply conductors.
- This product is not available for several special environments, such as places with corrosive gas liquids or high pressure water vapor.

PENDANT MOUNTING

1. Remove the line cord protector firstly.
2. Thread the led luminaire onto the 3/4" NPT conduit until tight , secure the M4X8 screw and make wire connections.
3. caulk the conduit openings such as sealing kits, to ensure water does not enter fixture through 3/4 NPT conduit.

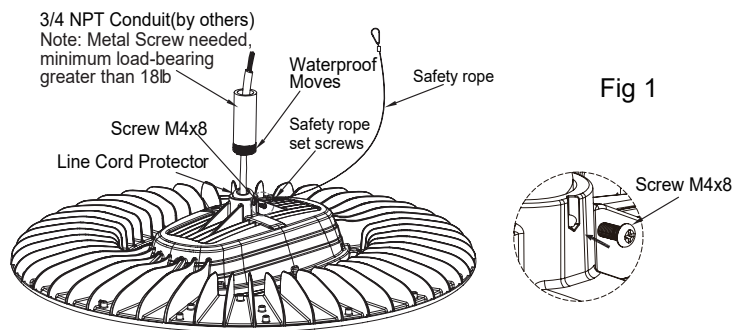


Fig 1

HOOK MOUNTING

1. Remove the line cord protector firstly.
2. Wire locker end and hook , while make sure the locker end toward the hook to ensure water does not enter fixture.
3. Thread the hook onto the 3/4" NPT conduit until tight.
4. Tighten the M4X8 screw in the luminaire.
5. Using the sealing kits will ensure a watertight seal.

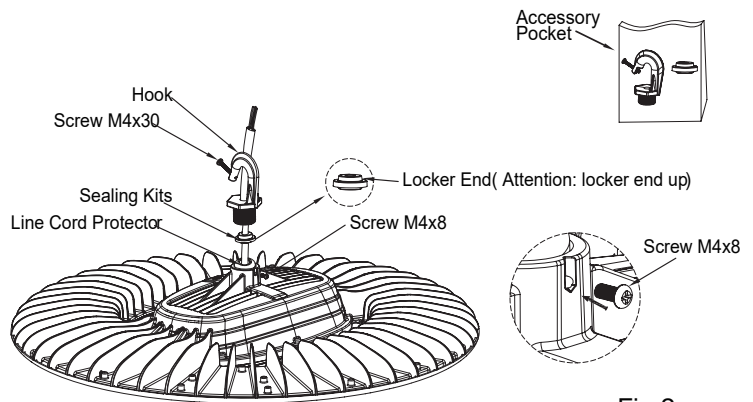
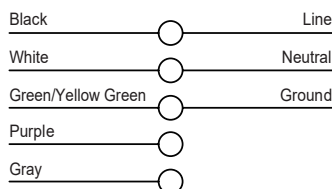


Fig 2

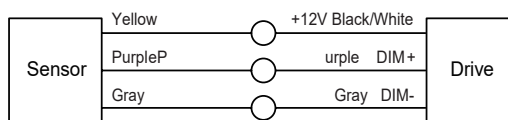
Wire Connection



Note: Two dimming wires are in the driver box .

Fig 3

Sensor Wire Connection



Note: The 12V DC output of one of the drives can supply power to the sensor. Never connect the two drivers' 12V DC output wires.

Fig 4