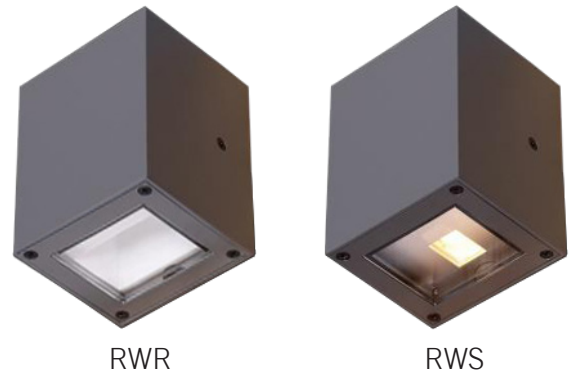


Project: _____
 Type: _____
 Model: _____

Features:

- HOUSING MATERIALS** | Extruded aluminum alloy, Die-casting, Powder coating, T=60~80 um./Adhesion of ISO class, 1.ASTM class 4B
- FINISH** | Black / White / Graphite / Silver / Bronze
- LENS** | T=6mm
- LED** | NICHIA
- OPERATING TEMPERATURE** | -4°F to 104°F
- POWER CABLE** | H05RN-F 3X1.0mm² L=0.3m (High voltage)
- IP / IK Rating** | IP65 Rated / IK06

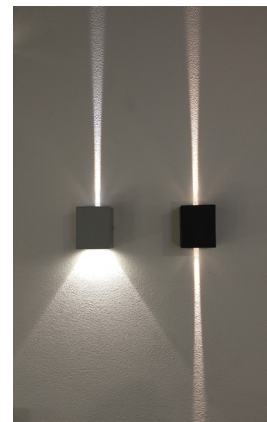
FINISH OPTIONS



OPTICS

RWR
D50°
U6°

RWS
D6°
U6°



Example: RWR-2L40K-D50-U6-Z-SV



Series	Lumens (CCT)			Down Beam	Up Beam	Voltage	Finish
RWR 8.8 Watts	1L30K 1L (3000K) 195 Lumens	2L40K 2L (4000K) 227 Lumens	2L50K 2L (5000K) 230 Lumens	D50 50°	U6 6°	Z Z = 120 Volts	BK Black
RWS 8.6 Watts	0L30K 0L (3000K) 74 Lumens	0L40K 0L (4000K) 89 Lumens	0L50K 0L (5000K) 90 Lumens	D6 6°	U6 6°		WH White
							GR Graphite
							SV Silver
							BZ Bronze

Enter configuration: _____

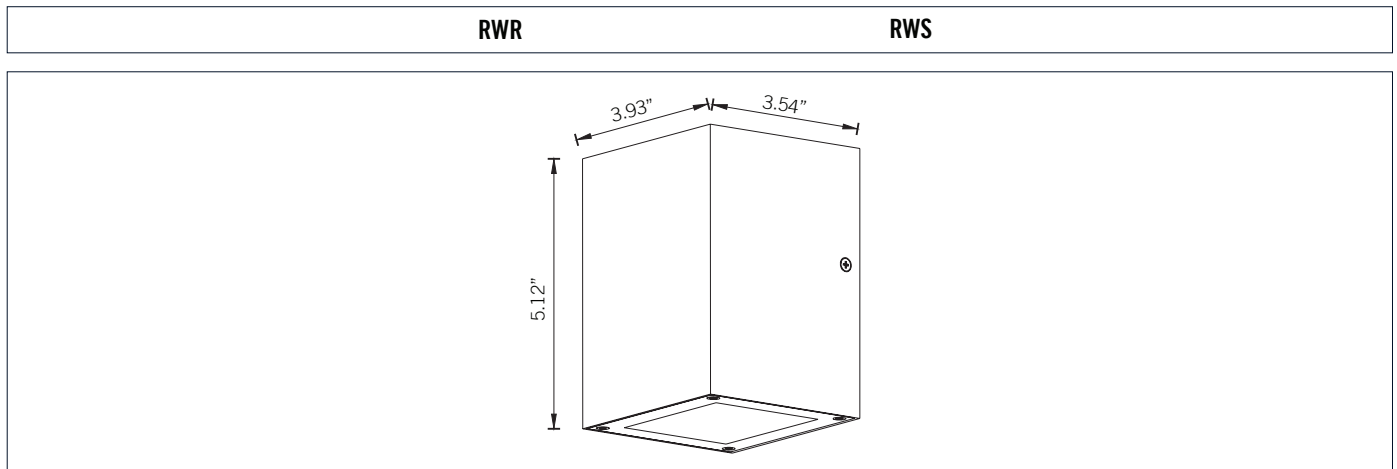
** Special Order

Dimensions and values shown are nominal. LuminosoLED continually works to improve products and reserves the right to make changes which may alter the performance or appearance of products.

PERFORMANCE DATA

Series	RWR	RWS
Power	8.8W	8.6
Lumens	195 (30K) 227 (40K) 230 (50K)	74 (30K) 89 (40K) 90 (50K)
IP Rating	IP65	IP65
Operating Temp.	-4°F to 113°F	-4°F to 113°F
Input	120V	120V

DIMENSIONS



PHOTOMETRIC CURVES

