

Project: _____
 Type: _____
 Model: _____

DESCRIPTION

The Luminoso LED trims are designed for use with Luminoso 2" Dedicated housings. The 2" LED trim is the perfect solution low to medium height ceilings in residential and light commercial applications. Its small aperture makes it ideal for strategic placement where space is limited and energy savings is important.

ELECTRICAL

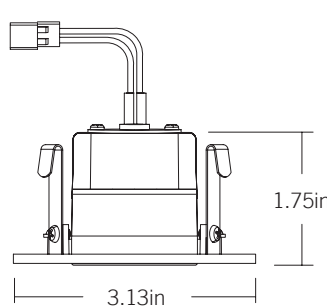
Current : 350mA

LED ENGINE

CCT: 2700K, 3000K, 4000K, 5000K (90 CRI).
 Wattage: 9W
 Optics: 38° (Flood)

FEATURES

LED Life: 50,000 Hours
 Operating Temperature: -20°F to 113°F
 Warranty: 5 year limited warranty
 Damp Rated



Watts	CRI	CCT	Lumens	Input Voltage	Frequency
9W	90	2700K	662	120-277V	50/60Hz
		3000K	674		
		4000K	771		
		5000K	729		

Compatible Housings (Order Separately)	Rating	Model	Installation	Input	Dimming
	IC-Rated	DLH 2TD N 23 Y ICAH	New Construction	Y = 120-277V	0-10V
		DLH 2TD N 23 Z ICAH		Z = 120V	TRIAC / CL
	NON-IC	DLH 2TD N 23 Y A	New Construction	Y = 120-277V	0-10V
	IC-Rated	DLH 2TD N 23 Y ICA	New Construction	Y = 120-277V	0-10V
	NON-IC	DLH 2TD R 23 Y	Remodel	Y = 120-277V	0-10V
		DLH 2TD R 23 Z		Z = 120V	TRIAC / CL

Example: DL-2HD-SG-23-9-30K-Y-W



Series	Trim	Mount	Watts	CCT	Voltage	Finish
DL 2HD	SG Square Gimbal	23 Quick Connect	9 9 Watts	27K	Y 120--277V	W White
				2700K		BK Black
				30K		BZ Bronze
				3000K		SV Silver
				40K		
				4000K		
				50K		
5000K						

Enter configuration: _____
 ** Special Order

Dimensions and values shown are nominal. LuminosoLED continually works to improve products and reserves the right to make changes which may alter the performance or appearance of products.

