


## Product Introduction:

Our LED High Bay Light, equipped with high-brightness SMD2835 LED chips, pure die-cast aluminum heat sink, and efficient constant current/voltage drivers. Perfect for factories, stadiums, gas and train stations, and more. Elevate your lighting solutions with us.

## Product Features:

1. The heat sink is crafted from high thermal conductivity die-cast aluminum, facilitating efficient heat dissipation, while also boasting an anti-static surface.
2. Choose from a range of power options, beam angles, installation methods, and accessories to suit your preferences.
3. This fixture offers waterproof, and anti-corrosive properties.

## Warning:

1. Prior to installation, kindly review the manual thoroughly.
2. Attention: Risk of electric shock. 
3. Installation of the luminaire must be performed by a qualified electrician in adherence to local regulations and codes.
4. The external flexible cable or cord of this luminaire is not replaceable. In the event of damage, the luminaire should be rendered inoperable.
5. Please ensure the fixture is safeguarded against fire, electric shock, and vibrations.

## Technical Parameters:

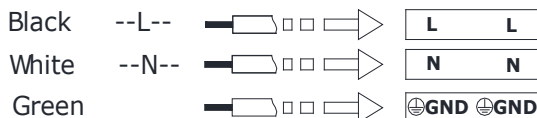
Power	240W
Input Voltage	AC100-277V/AC120-347V
Frequency	50/60Hz
Working Temperature	- 22°F ~ +122°F
Power(Selectable version)	240W/200W/150W
CCT(Selectable version)	3000K/4000K/5000K

### Packing including:

- 1.1pcs LED high bay light.
- 2.1pcs product user manual.
- 3.1pcs installation bracket or ring.

## Wiring Diagram

### AC cord



### label

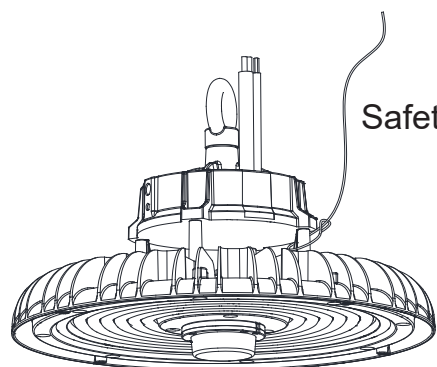
### 0-10V dimmable



### label

## Installation instruction:

### Fasten safety cable



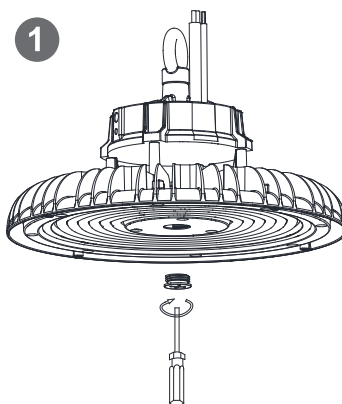
Safety rope position



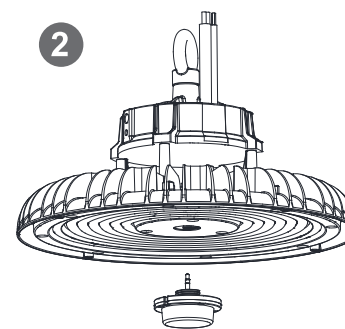
Lamp must fasten individual safety cable

The safety rope is not included, if necessary please purchase from the seller and clarify the length.

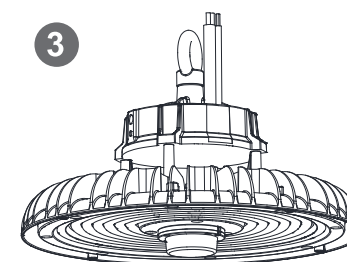
### Twist in sensor installation manual



Take out cover cap



Twist in sensor

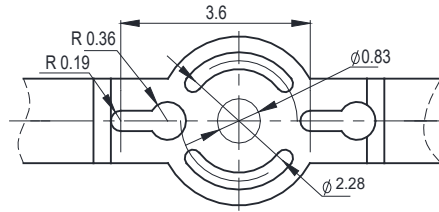


Finished installation

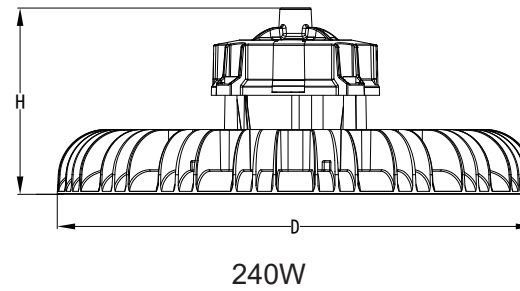
Attention: Sensor should be properly tightened to make it waterproof

## Hole dimension for mounting (in)

240W



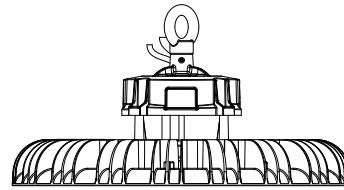
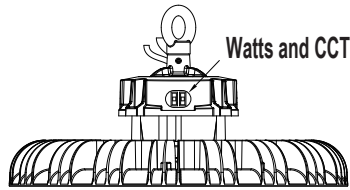
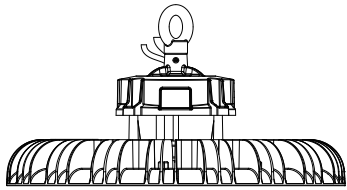
## LED light dimension



Power	Diameter D(in)	Height H(in)
240W	12.6	4.92

## CCT and Watt selected Operation Manual

1. Remove the rubber seal from the driver
2. Use the switch to select wattage and CCT
3. Attach the rubber seal to the driver



CCT	A	A+B	B
3000~5000K	5000K	4000K	3000K

Power	HIGH	MID	LOW
240W	240W	200W	150W

## Installation

