

Project:	
Type:	
Model#	

LMR Series 40W 2x2 LED Troffer

PRODUCT DESCRIPTION

The LMR22 LED troffer delivers exceptional 80+ CRI light while achieving 103-105 lumens per watt. It is available in 3500K, 4000K and 5000K CCT options with 0-10V dimming capabilities, which makes it ideal for new construction applications or retrofitting existing fluorescent troffer fixtures with recessed installation. This versatile product covers a widespread list of applications ranging from office spaces, major retail stores, and educational settings to government, healthcare, and hospitality locations.

PERFORMANCE SUMMARY

Efficacy: 103-105 Lm/W
40W Lumens: 4,180 (35K) / 4,200 (40K) / 4,245 (50K) Lumens
Power: 40 Watts
CRI: Ra>80
CCT Options: 3500K, 4000K, 5000K
Input Voltage: 100-277 VAC
Input current: 0.4 - 0.16A
THD:<20%
Standard Warranty: 5 Year Warranty
Standard Lifetime: Designed to L70 minimum 50,000 hours
Installation Options: Recessed
Sign Current: 0.04-0.37 MA
Dimmable: 0-10V
Dimensions: L 23.1" x W 23.8" x H 3"



REGULATORY & VOLUNTARY QUALIFICATIONS

ETL Listed	Yes
LM80 SMD	Yes

Recommend Dimmer:

Leviton cat,Nos:	Lutron cat,Nos:
AWRMG-7XX	DIVA-DVTV NOVA-NVTV
AWSMG-7XX	IP710-LFZ/DLX
AWSMT-7XX	NOVAT-NTFTV W/PP20
www.leviton.com	www.lutron.com/en-US

ORDER INFORMATION

EXAMPLE: LMR22-18-40W-50K-J-Y-EB

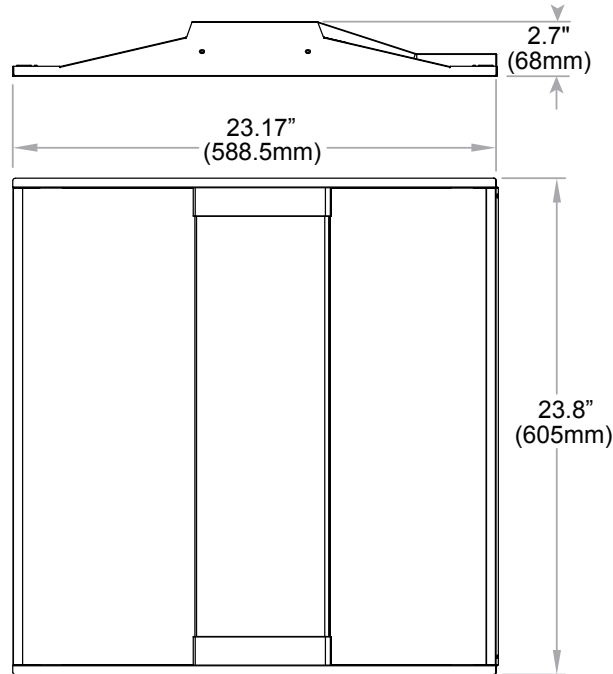


Series	Mount	Wattage	CCT	Beam	Voltage	Accessories
LMR22	18 = Lay In	40W	35K = 3500K 40K = 4000K 50K = 5000K	J = 120°	Y=120-277V	Leave Blank = Standard EB = Emergency Battery Back up

Enter configuration:

** Special Order / contact vendor

Dimensions



PHOTOMETRY

Fixture photometry has been conducted in accredited testing laboratory in accordance with IESNA LM-79-08.

Lux Chart / Photometrics

Flux out:3128 lm

Height	Eavg	Angle:111.00deg	Diameter
1m	453.0lx		291.00cm
2m	113.2lx		582.00cm
3m	50.33lx		873.00cm
4m	28.31lx		1164.00cm
5m	18.12lx		1455.00cm
6m	12.58lx		1746.00cm
7m	9.245lx		2037.00cm
8m	7.078lx		2328.00cm
9m	5.592lx		2618.99cm
10m	4.530lx		2909.99cm

