

Project:	
Type:	
Model#	

LCC Series LED Flush Mount Light

Features

- The cast aluminum housing and UV-stabilized diffuser are ideal for outdoor use.
- Stainless steel vandal proof screws.
- Vandal proof , IK10, IP65.
- Multi-function, classic design, easy adapted for many application.
- High quality controllers by HYTRONIK.
- 5 years guarantee.

Specification

Input Voltage	120-277VAC
Power rating	18 Watts
Fitting material	Housing: Cast Aluminum Lens: PC
CRI	>80
Finish	White / Bronze / Black
Impact resistance	IK10
IP rating	IP65
Power Factor	≥0.9
Operating Temp	-4°F ~ 122°F
Certificate	ETL
Standard	EN60598-2-1
Emergency	EN60598-2-22



ORDER INFORMATION

EXAMPLE: LCC-18W-Y-40K-W-14-BK-CR



Series	Wattage	Voltage	CCT	Beam	Mount	Finish	Options	Controls
LCC	18W	Y= 120-277V	30K = 3000K 40K = 4000K 50K = 5000K	W = 160°	14 = Direct Mount	BK = Black WH = White BR = Brown	Blank = Standard GR = Grille** EL = Eyelid** CR = Cross**	Blank = Standard DIM = 0-10V Dimming OO = On/Off Motion Sensor BTD = Bi/Tri Level Dimming Sensor

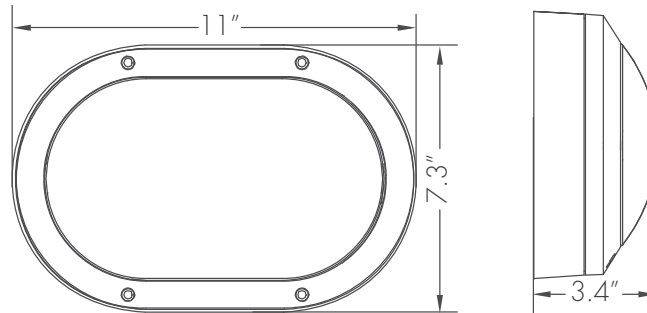
Enter configuration:

** Special Order / contact vendor

18W / Performance

Series	Size	Power (W)	CCT			Control Options
			3000K	4000K	5000K	
LCC	11 inch	18	1,450 Lm	1,530 Lm	1,605 Lm	Leave Blank Standard 0-10V Dimming On/Off Motion Sensor** Bi/Tri Level Dimming Sensor**

Dimensions



Photometric Data

