

**DLH 6 N 23 Y ICA**  
**6" IC-Rated LED**New Construction Housing  
120-277V**Listings**

- UL Listed for Damp Locations
- UL Listed for Feed Through
- Certified under ASTM-E283 for Air Tight Construction

**Descriptions**

The Luminoso 6" LED IC housing, is designed for new construction installations and suitable for direct contact with insulation in ceiling. The air tight construction reduces energy costs by preventing air flow between occupied conditioned spaces and unvented areas.

**Plaster Frame**

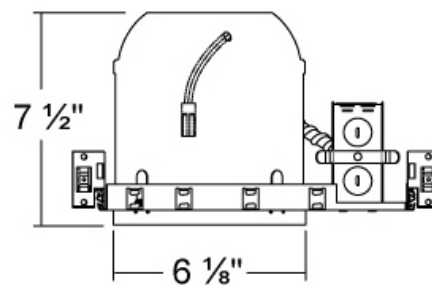
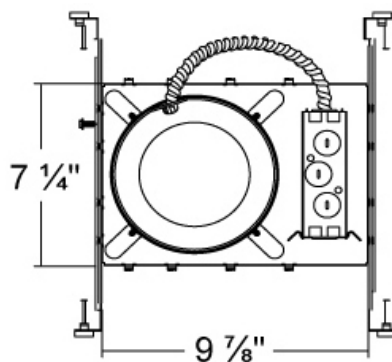
Galvanized steel construction. The housing can be removed from the plaster frame to provide access to the junction box.

**Junction Box**

- Designed to accommodate conduit runs.
- Contains one 1/8", six 7/8" knockouts and four conduit pryouts with strain relief.

**Bar Hanger**

- Pre-installed **Real-Nails®** easily installs in regular lumber and engineered lumber.
- Bar Hangers are adjustable from 13-5/8" to 25" and can be repositioned 90 degree on plaster frame.

**Dimensions**



## Recessed Downlight

**WARNING** : These products may represent a possible shock or fire hazard if improperly installed or attached in any way. Products should be installed in accordance with these instructions, current electrical codes and/or the current National Electric code (NEC).

**CAUTION** – To reduce risk of fire, electric shock or injury to persons:

1. Make sure that the electrical power to the fixture is disconnected prior to any installation or retrofit.
2. This light is suitable for damp locations.

**WARNING** : Risk of fire or electric shock. Installation requires knowledge of recessed lighting luminaires electrical systems. If not qualified, do not attempt installation. Contact a qualified electrician.

Do not use these products in luminaires located where elevated ambient temperatures exist.

**WARNING** : Risk of fire or electric shock. The installer must determine whether power supply is 120V AC before installation. (120V/277V Ac 50~60Hz is available if 120V/277V is indicated on caution label)

**WARNING** : Risk of fire or electric shock. Luminaire's wiring, ballast(s), or other electrical parts may be damaged when drilling for installation of reflector kit hardware. If drilling is required in any installation, check for enclosed wiring and components and be careful to protect them from any harm. To prevent wiring damage or abrasion, do not expose wiring to edges of sheet metal or other sharp objects.

**THIS PRODUCT MUST BE INSTALLED IN ACCORDANCE WITH THE APPLICABLE INSTALLATION CODE BY A PERSON FAMILIAR WITH THE CONSTRUCTION AND OPERATION OF THE PRODUCT AND THE HAZARDS INVOLVED.**