

Project:	Date
Type:	
Model:	

Features:

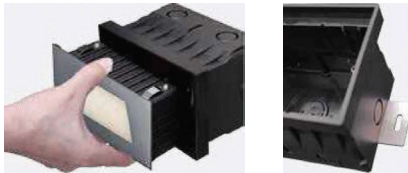
- HOUSING MATERIALS** | Die-casting dark grey powder coated aluminum.
| T=60-80 um. Adhesion of ISO class, 1.ASTM class 4B
- FRONT COVER** | Hard Chromeplated Stainless steel 316#
- LED** | SMD3030
- DIMMABLE** | No*
- Back box / J-Box** | ABS
- WATER-TIGHT CABLE GLAND** | IP67
- OPERATING TEMPERATURE** | -4°F to 113°F
- POWER CABLE** | H05RN-F 2X1.0mm² L=0.5m (24 Volts)
- FIXTURE IP/ IK Rating** | IP65 Rated / IK09



RSD



MOUNTING SLEEVE



Example: RSD-0L40K-X-SS



Series	Lumens (CCT)			Voltage	Finish
RSD 3.5 Watts	0L20K 0L (2000K) 65 Lumens	0L30K 0L (3000K) 82 Lumens	0L40K 0L (4000K) 90 Lumens	X X = 24 Volts Requires remote 24V transformer. This fixture is not dimmable*	SS Stainless Steel

Enter configuration:

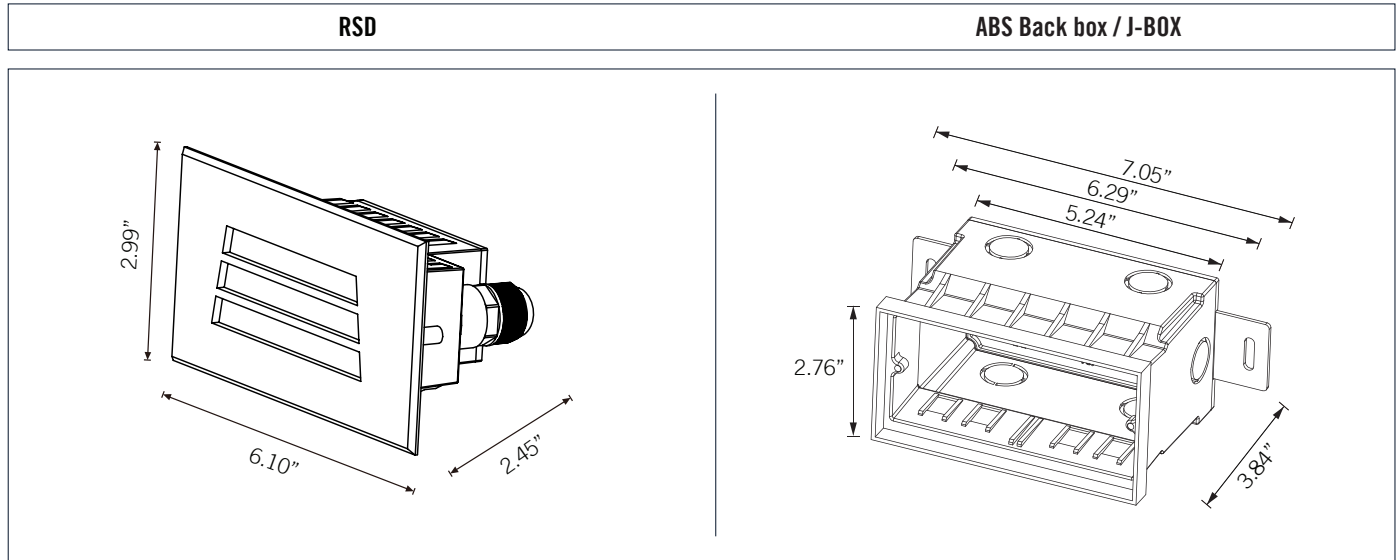
** Special Order

Dimensions and values shown are nominal. LuminosoLED continually works to improve products and reserves the right to make changes which may alter the performance or appearance of products.

PERFORMANCE DATA

Series	RSD
Power	3.5W (18x0.2W)
Lumens	65 (20K) 82 (30K) 90 (50K)
IP Rating	IP65
Operating Temp.	-4°F to 104°F
Input	24V

DIMENSIONS



PHOTOMETRIC CURVES

