



The UDFP Square LED Pendant offers a sleek and stylish architectural lighting solution, featuring a minimalist design just 1.5" in height. With its clean lines and slim, square form, it effortlessly enhances any modern decor. When off, the luminaire's nearly transparent design blends seamlessly into its surroundings. When illuminated, it delivers exceptional uniformity and efficiency, with a balanced 55% downlighting and 45% uplighting distribution, creating the captivating illusion of light floating in mid-air. Ideal for conference rooms, open offices, retail spaces, or any environment where you want to make a bold, contemporary statement.

Now featuring CCT and wattage selectable options, it provides flexibility to tailor lighting to specific needs. Ideal for conference rooms, open offices, retail spaces, or any environment where you want to make a bold, contemporary statement.

Feature

- UL Listed and DLC Qualified with Damp Rating for versatile applications.
- Features transparent optics for a sleek and modern look.
- Provides 55% downlight and 45% uplight distribution for balanced illumination.
- Includes an external replaceable driver for ease of maintenance.
- CCT adjustable with options for 3000K, 3500K, and 4000K to suit different lighting preferences.
- Wattage can be adjusted from 50W, 40W down to 30W.



Performance

Dimensions	Wattage Selectable	CCT Selectable	Lumens @4000K
UDFP-22 2x2FT Architectural Pendant Panel	WS50 50W/40W/30W	CCTS Color Temperature Selectable (3000K / 3500K / 4000K)	5,000lm



*Above apply to 3000K, 80+ CRI values only. Check the IES file to gain the other accurate data.

UDFP22 (Selectable Wattage & CCT)

Project: _____
 Type: _____
 Model: _____

Ordering Chart

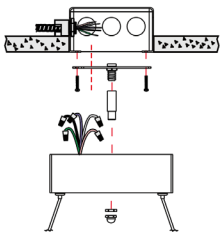
Example: UDFP22-WS50-Y-CCTS-EB-WH

UDFP22	WS50	Y	CCTS			
--------	------	---	------	--	--	--

Series	Wattage Selectable	Voltage	CCT Selectable	Emergency Battery Backup	Ceiling Mount Type	Finish
UDFP22 2x2 FT Architectural Pendant	WS50 Wattage Selectable (50W / 40W / 30W)	Y 120-277V	CCTS Color Temperature Selectable (3000K / 3500K / 4000K)	(Blank) w/o Battery Backup EB Emergency Battery Backup (120 minutes of illumination when AC power is removed)	CM Ceiling Mount to J-box 8FT Cable standard CM12 Ceiling Mount to J-box 12FT Cable DFC Drop Flat Ceiling clips for 9/16" & 15/16" (T-grid)	WH White BK** Black

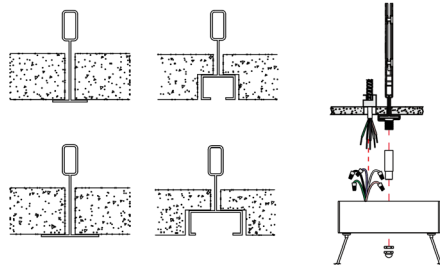
Mounting Options

Dry wall / concrete



Drop Ceiling / T-Grid

Compatible with 9/16" Flat, 9/16" Slot, and 15/16" Flat T-grids.



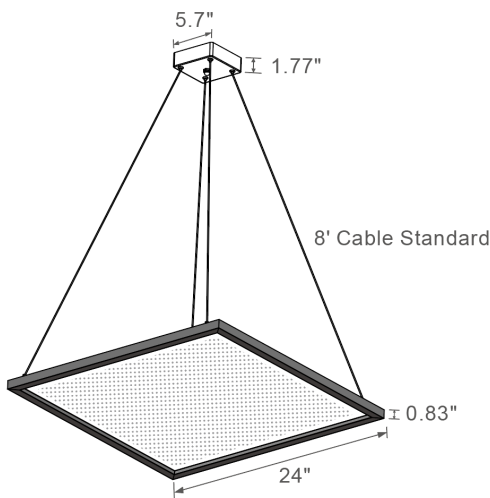
Battery Backup Options



Emergency Lumen Output:

Fixture Efficacy	Output Power 8w
100lm/w	800 Lumens

Dimensions



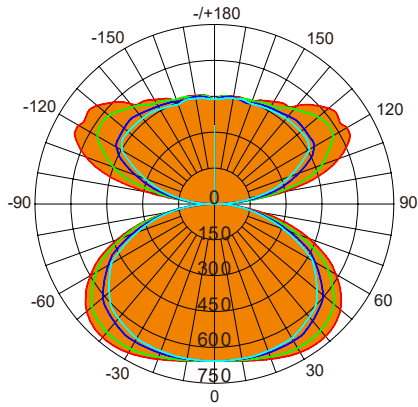
STRUCTURE	
Optics	The high-precision PMMA light guide ensures controlled light distribution with 45% uplight and 55% downlight.
Finish	Extruded aluminum housing. Powder coat black or white.
Driver Dimming THD Power Factor Input Voltage	External, class 2, high efficiency LED driver. Standard constant current electronic driver with 1-10V dimming, dim to 1%. <20% >0.9 120-277V Standard.
Tested Dimmers	LEVITON DD710, LUTRON NTSTV-DV, LEGRAND RH4FBL3PTC, LUTRON DVSTV, LEVITON IP710.

** Additional cost and/or lead time on customized fixtures may apply. Some fixtures require an MOQ. Please contact your sales rep for more information.

Dimensions and values shown are nominal. LuminosoLED continually works to improve products and reserves the right to make changes which may alter the performance or appearance of products.

Distribution Diagram (3000K)

UDFP22 (Selectable Wattage & CCT)



AVERAGE BEAM ANGLE(50%): 360.0°

Lumens: 5385 Lm
 Watts: 51.68 W
 LPW: 104.19 Lm/W
 CCT: 3000K

UNIT: cd
 — C0/180, 360°
 — C30/270, 360°
 — C60/240, 360°
 — C90/270, 360°

Zona I Flux Diagram

Y	C0	C45	C90	C135	C180
5	659.2	657.8	656.7	658.1	659.2
10	666.2	661.0	656.7	661.7	666.5
15	676.7	665.7	656.5	667.1	677.2
20	689.8	671.6	653.8	673.8	690.6
25	704.3	675.2	650.8	678.4	705.6
30	716.3	676.6	647.8	680.9	718.5
35	722.7	675.3	632.5	681.2	726.8
40	721.9	668.3	617.2	676.0	728.2
45	711.9	645.4	599.1	654.3	720.0
50	687.2	615.8	559.0	625.2	697.5
55	643.9	577.8	516.1	587.1	657.1
60	585.3	513.9	473.3	523.0	559.6
65	514.2	441.7	389.8	451.4	527.7
70	419.4	357.3	306.4	364.5	431.7
75	314.8	261.7	223.9	264.4	322.5
80	193.0	167.2	149.6	167.9	192.7
85	58.09	84.03	76.30	85.15	49.39
90	1.092	2.997	2.993	2.758	1.065
95	65.96	120.7	92.26	124.4	47.23
100	294.4	239.6	181.5	245.4	283.9
105	450.6	332.5	268.1	338.4	459.8
110	552.1	416.7	333.5	423.6	569.3
115	619.1	482.3	396.2	491.5	639.8
120	639.5	510.3	458.9	516.6	657.0
125	630.8	519.9	472.3	525.6	652.1
130	623.1	528.2	471.6	536.4	640.5
135	585.0	511.6	469.2	518.3	601.7
140	536.2	488.8	466.8	496.8	546.8
145	510.5	482.1	461.9	490.1	523.8
150	494.4	470.1	456.8	474.8	504.4
155	478.0	461.1	451.7	467.4	486.6
160	450.5	458.7	446.5	463.3	456.1
165	458.7	447.9	453.0	450.9	464.6
170	456.7	451.4	448.8	455.2	460.6
175	454.4	452.1	443.2	452.5	456.4
180	437.7	437.7	437.7	437.7	438.1
DEG	LUMINOUS INTENSITY:cd				

Zona I Lumens

Y	φ total
0-5	15.72
5-10	62.92
10-15	141.7
15-20	252.1
20-25	393.7
25-30	565.8
30-35	766.5
35-40	992.3
40-45	1239
45-50	1499
50-55	1764
55-60	2023
60-65	2266
65-70	2477
70-75	2645
75-80	2767
80-85	2838
85-90	2861
90-95	2888
95-100	2977
100-105	3128
105-110	3326
110-115	3555
115-120	3803
120-125	4051
125-130	4285
130-135	4499
135-140	4690
140-145	4855
145-150	4997
150-155	5116
155-160	5213
160-165	5288
165-170	5342
170-175	5374
175-180	5385
	UNIT: lm

Luminan ce cd/(m2)

G(DEG)	C0/180	C90/270
85	1851.4	2431.8
80	3087.0	2393.2
75	3378.1	2403.4
70	3406.1	2488.3
65	3379.8	2562.3
60	3251.8	2629.4
55	3118.1	2499.7
50	2969.9	2415.7
45	2796.5	2353.5