

Project:	Date
Type:	
Model:	

**Features:**

- HOUSING MATERIALS** | Extruded aluminum alloy, Die-casting, Powder coating, T=60~80 um./Adhesion of ISO class, 1.ASTM class 4B
- FINISH** | Black / White / Graphite / Silver / Bronze
- REFLECTOR** | Optical reflector. efficiency >85%
- LED** | NICHIA
- DIMMABLE** | No
- OPERATING TEMPERATURE** | -4°F to 104°F
- POWER CABLE** | H05RN-F 3X1.0mm<sup>2</sup> L=0.3m (High voltage)
- FIXTURE IP/ IK Rating** | IP65 Rated / IK08



RWL

**OPTICS**



RWL



60°



**FINISH OPTIONS**

- Bronze
- RAL8019

Example: **RWL-10L50K-D38-Z-SV**

Series	Lumens (CCT)	Down Beam	Up Beam	Voltage	Finish
<b>RWL</b> 13 Watts	<b>9L30K</b> 9L (3000K) 960 Lumens  Lumens based off 24° Beam angle	<b>D60</b> 60°	<b>N/A</b>	<b>Z</b> Z = 120 Volts	<b>BZ</b> Bronze
	Lumens based off 24° Beam angle				

Enter configuration:

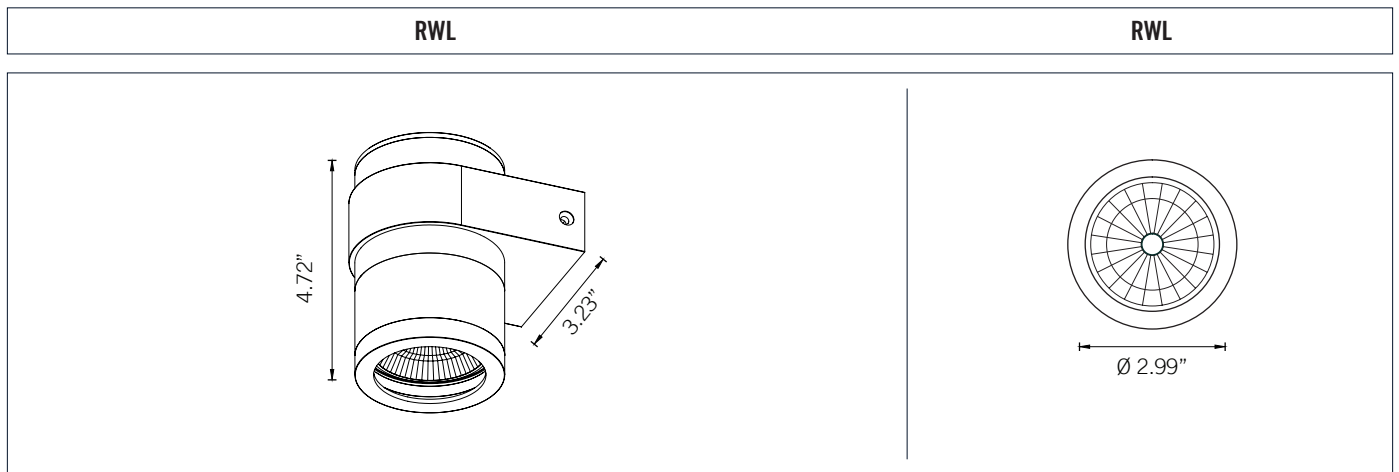
\*\* Special Order

Dimensions and values shown are nominal. LuminosoLED continually works to improve products and reserves the right to make changes which may alter the performance or appearance of products.

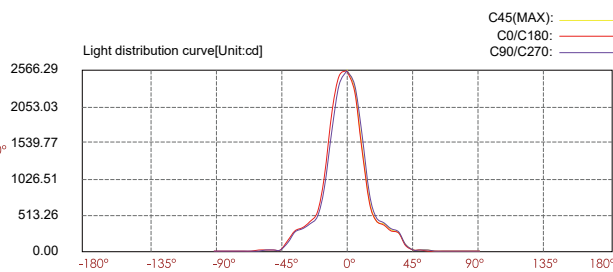
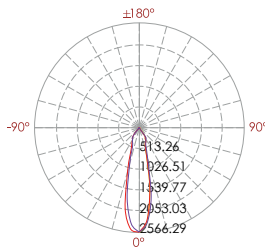
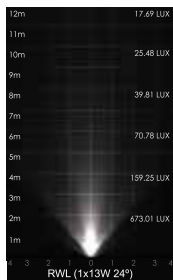
**PERFORMANCE DATA**

Series	RWL	RWM
Power	13W	10Wx2
Lumens	960 (30K) 990 (40K) 1,020 (50K)	420*2 (30K) 433*2 (40K) 509*2 (50K)
IP Rating	IP65	IP65
Operating Temp.	-4°F to 104°F	-4°F to 104°F
Input	120V	120V

**DIMENSIONS**



**PHOTOMETRIC CURVES**



Lux distance curve

Distance (m)	Illuminance at a distance		Beam width	
	Center beam LUX	Beam width V	H	H
2m	637.01 LUX	0.9m	0.9m	
4m	159.25 LUX	1.8m	1.8m	
6m	70.78 LUX	2.7m	2.7m	
8m	39.81 LUX	3.6m	3.6m	
10m	25.48 LUX	4.5m	4.5m	
12m	17.69 LUX	5.3m	5.4m	

Ver. Spread: 25.1 Horiz. Spread: 25.2