

Project: \_\_\_\_\_  
 Type: \_\_\_\_\_  
 Model: \_\_\_\_\_

**DESCRIPTION**

The 6-inch General Purpose LED Trim featuring a Push-In Quick Connector Base is an ideal choice for various lighting needs, including retrofitting existing setups, new construction projects, and remodeling applications. It is specifically designed to accommodate low to medium height ceilings.


**PRODUCT SPECIFICATIONS**

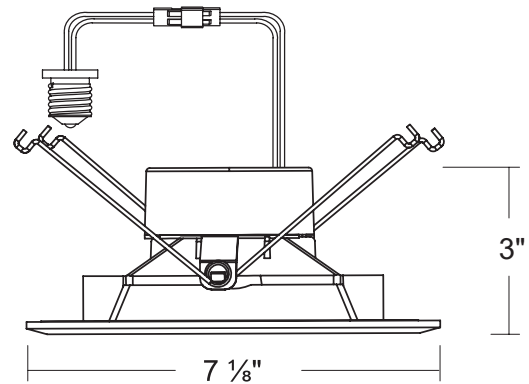
- White painted diecast aluminum body.
- Oversized trim ring constructed from one-piece stamped aluminum body
- Torsion spring mounting style are designed to accommodate most 5" and 6" standard and shallow housings.
- E26 medium screw-base Edison adaptor provides easy installation into Incandescent housings.
- (GU10 and GU24 socket adaptor available - sold separately)

**LED LIGHT ENGINE**

- Dimming down to 10% with CL / TRIAC dimmer (120V ONLY)
- CCT: 3000K, 3500K, 4000K, and 5000K
- CRI 90
- Long life LED chips guaranteed up to 50,000hours.

**LISTINGS**

- UL Listed
- Wet location rated
- RoHS compliant
- Tested in accordance with IESNA LM79 & LM80

**DIMENSIONS**

**ORDER INFORMATION**

EXAMPLE: DL6-SS-23-16-30K-Y-W



Series	Reflector	Mount	Wattage	CCT	Voltage	Finish
DL 6	SS Square Smooth	23 = Quick Connect	16 = 16W	30K = 3000K	Y = 120-277V	W = White
	SB Square Baffle**			35K = 3500K**		
				40K = 4000K**		
				50K = 5000K		

Enter configuration: \_\_\_\_\_  
 Special Order\*\*

## PERFORMANCE DATA

Watts	Voltage	CRI	Lumens			
			1,050 30K	1,100 35K	1,200 40K	1,280 50K
16	120-277V	90				



## TRIAC Dimmer Compatibility (120V ONLY)

List of Triac Dimmer Switch		
Mfr	Model #	Dimming Rate
Leviton	1A1505 / 1C1605	10 - 100%
Leviton	6631 / 6633	10 - 100%
Lutron	CT-603PG / CT-600PR	10 - 100%
Lutron	DV-600PR / DV603PG	10 - 100%
Lutron	DVW-603PGH / DVCL-153P	10 - 100%
Lutron	MACL-153M / TGCL-153P	10 - 100%
Lutron	S-600PR / S-2-LH	10 - 100%