

PRODUCT DESCRIPTION

The Luminoso FPT series brings an all new, modern alternative to the standard lay in troffer. It's wide range of wattages and lumen packages make it ideal for any size application while its various mounting capabilities make it a truly versatile tool. The FPT is available in either 4000K or 5000K color temperatures as well as white or brushed nickel finishes. With a lifespan of over 50,000 hours and energy reductions over 60% from its traditional counterparts the FPT is surely to become the new standard troffer.

PRODUCT SPECIFICATIONS

- LED Chip

The active color management system maintains superior color consistency over time. Every fixture is tuned as a complete system to the optimal color point before shipment, ensuring consistent fixture to fixture color

- Heat Sink

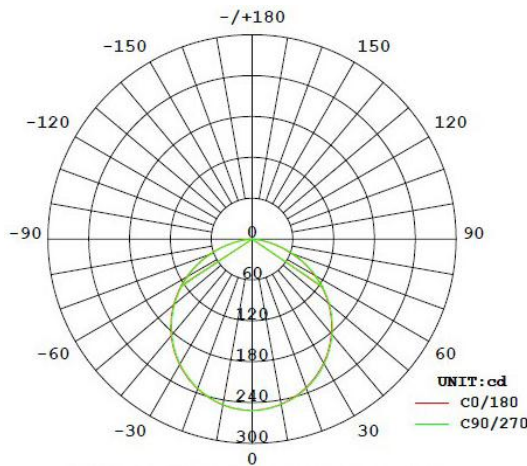
The thermal management system's cooling design allows for even heat dispersement which minimizes heat concentration. This enables the LEDs to consistently run cooler, providing significant boosts to lifetime, efficacy, and color consistency.

- Optical System

The proprietary optical system utilizes a unique combination of reflective and refractive optical components to achieve a uniform, comfortable appearance. Using high density laser pixels to emit even light. This product produces no glare.

PHOTOMETRY

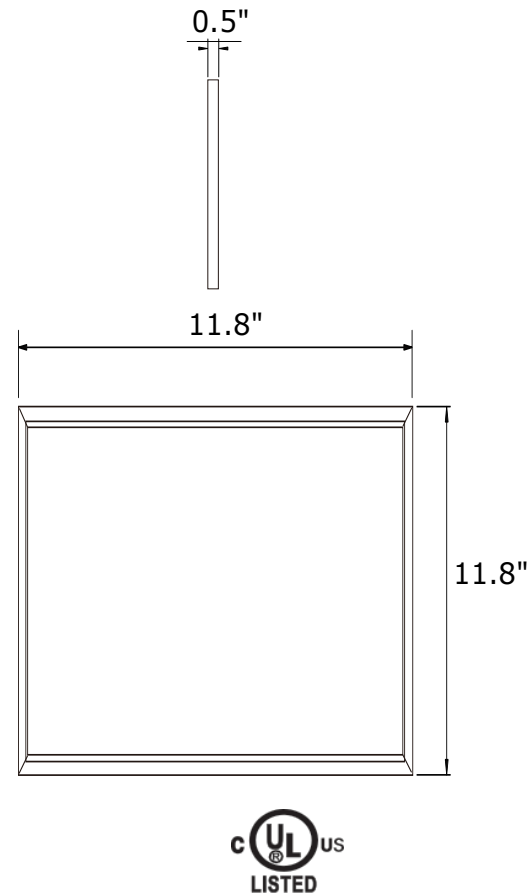
Fixture photometry has been conducted in accredited testing laboratory in accordance with IESNA LM-79-08.



AVERAGE BEAM
ANGLE(50%): 150 DEG



PRODUCT DIMENSIONS



ORDER INFORMATION

EXAMPLE: FPT11-18-18W-50K-T-Y-WH

Product category	Base	Wattage	CCT	Beam Angle	Voltage	Finish
FPT11	18 = Lay-In	18W	40K = 4000K 50K = 5000K	T = 150°	Y=120-277V	WH = White SL = Silver

PERFORMANCE SUMMARY

Efficacy: 85 LPW

Delivered Light Output: 1,530 Lumens

Input Power: 18 Watts

CRI: Ra > 80

CCT: 4000K, 5000K

Input Voltage: 120-277VAC

Input current: 0.15A

THD: < 20%(at 120V)

Power Factor: > .95 (120V)

Frequency: 50/60Hz

Standard Warranty: 5 Years

Standard Lifetime: Designed to L70 minimum 50,000 hours

Mounting: Suspension, Wall Mount, Recessed, Ceiling Mount

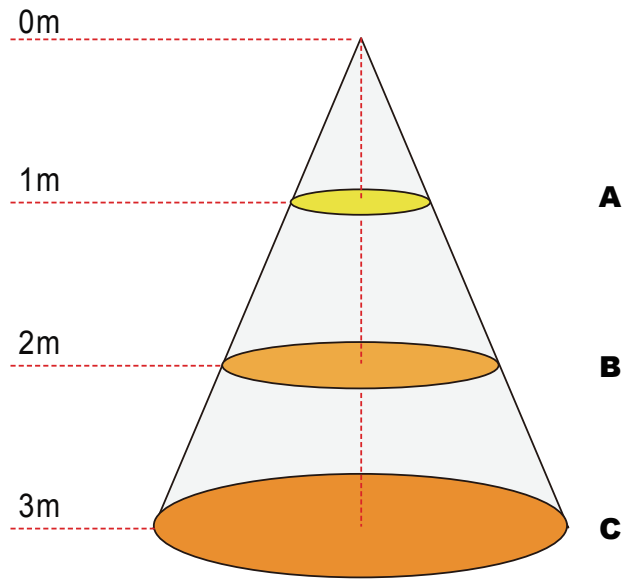
Dimmable: Yes

Certificates: UL, DLC

Dimensions: L 11.8" x 11.8W " x H 0.5"

Weight: 1.4 KG / 3 lbs

LUMINOUS INTENSITY DISTRIBUTION DIAGRAM

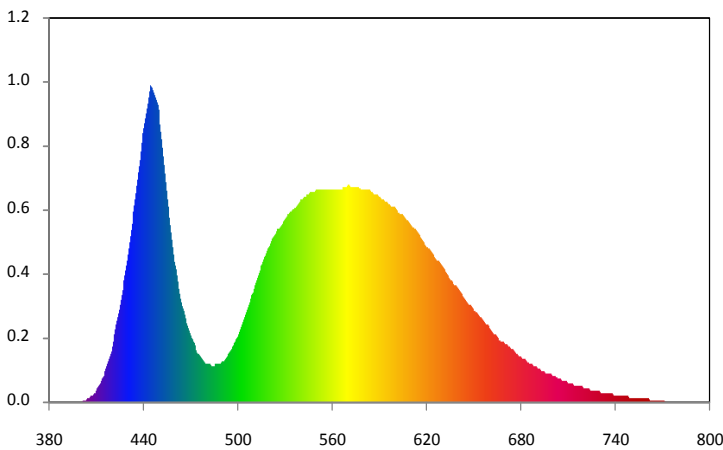


Size	Wattage	Lux		
		A	B	C
1x1'	18W	350	160	70

REGULATORY & VOLUNTARY QUALIFICATIONS

UL Listed	Yes
LM79 Report	Yes

RELATIVE SPECTRAL POWER DISTRIBUTION



SPECTRORADIOMETRIC PARAMETERS

