

## DESCRIPTION

The LMT24 LED Troffer delivers high-quality illumination with 80+ CRI and an efficacy of 106–118 lumens per watt. Featuring both UL and DLC listings, it ensures reliable performance and energy efficiency. Available in 3500K, 4000K, and 5000K color temperatures with 0–10V dimming, it offers flexibility for a variety of lighting needs. Designed for recessed installation, it is ideal for both new construction and retrofit applications, making it a versatile solution for offices, retail environments, educational facilities, healthcare, hospitality, and government spaces.

## FEATURES

- Efficacy: (40W) 106-110 / (65W) 108-118 Lm/W
- Delivered Lumens: (40W): 4,235 (40K) / 4,407 (50K)
- Delivered Lumens: (65W): 7,010 (40K) / 7,228 (50K)
- Power: 40 Watts / 65 Watts
- CRI: Ra>80
- CCT Options: 3500K, 4000K, 5000K
- Input Voltage: 120-277 VAC
- Input current: 0.4 - 0.16A
- THD:<20%
- Standard Warranty: 5 Year Warranty
- Standard Lifetime: Designed to L70 minimum 50,000
- hours Installation Options: Recessed
- Sign Current: 0.04-0.37 MA
- Dimmable: 1-10V (dims down to 10%)
- Dimensions: L 47.7" x W 23.8" x H 3.9"

Project:	Date
Type:	
Model:	



## REGULATORY & VOLUNTARY QUALIFICATIONS

UL Listed	Yes
LM80 SMD	Yes

### Recommend Dimmer:

Leviton cat,Nos:	Lutron cat,Nos:
AWRMG-7XX      AWSMG-7XX	DIVA-DVTV      NOVA-NVTV
AWSMT-7XX      IP710-LFZ/DLX	NOVAT-NTFTV W/PP20
www.leviton.com	www.lutron.com/en-US

## ORDER INFORMATION

EXAMPLE: LMT24-18-65W-40K-K-Y



Series	Mounting	Wattage	CCT	Beam	Voltage	Emergency Battery Back-up
LMT24 2x4 Indirect Troffer	18 Lay in	40W 40 Watts	35K 3500K	K 85°	Y 120-277V	Leave Blank No Battery
		65W 65 Watts	40K 4000K			EB Emergency Battery Back-up
			50K 5000K			

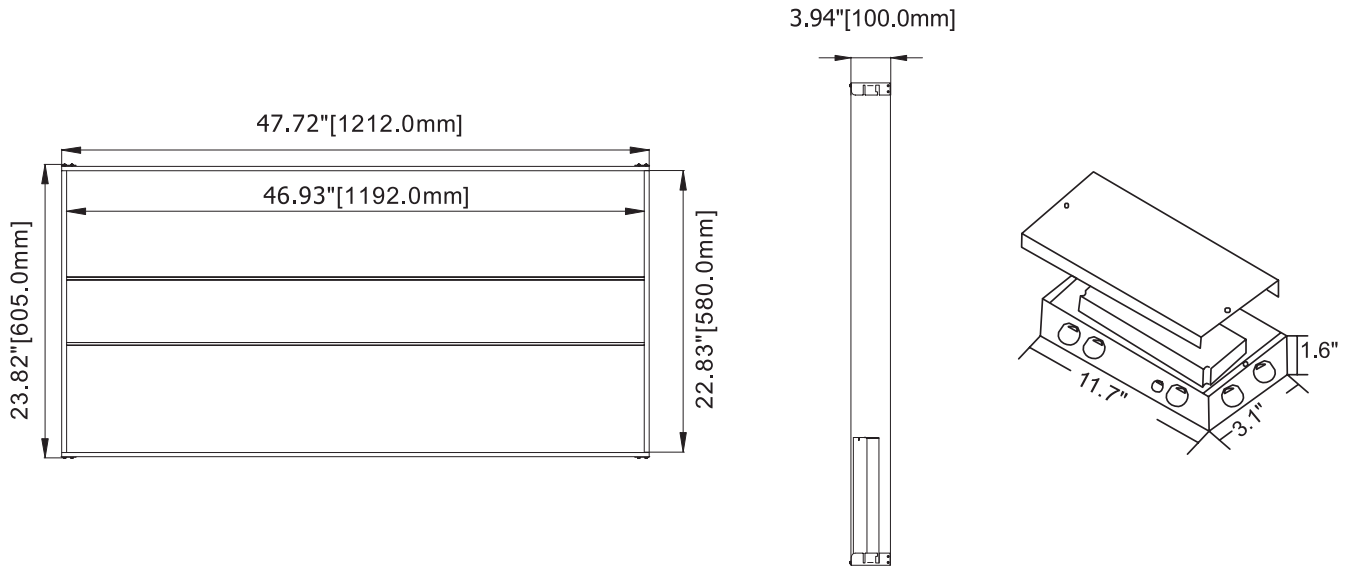
Enter configuration: \_\_\_\_\_

Dimensions and values shown are nominal. LuminosoLED continually works to improve products and reserves the right to make changes which may alter the performance or appearance of products.

**PERFORMANCE DATA**

Series	LMT24 (2x4)	LMT24 (2x4)
Wattage	40W	65W
CCT	3500K / 4000K / 5000K	3500K / 4000K / 5000K
Lumens	4,100lm / 4,235lm / 4,407lm	6,890lm / 7,010lm / 7,228lm
Efficacy (LPW)	Up to 110 LPW	Up to 117 LPW
Beam	90°	90°
Input Voltage	120-277VAC 50/60Hz	120-277VAC 50/60Hz
Certifications	UL Listed, FCC, RoHS	UL Listed, FCC, RoHS
Operating Temp.	-13°F to 115°F	-13°F to 115°F
PF / THD	>0.9, <20%	>0.9, <20%
Dimming	1-10V (10%-100%)	1-10V (10%-100%)

**DIMENSIONS**



### PHOTOMETRY

Fixture photometry has been conducted in accredited testing laboratory in accordance with IESNA LM-79-08.

