

DESCRIPTION

Introducing our Surface Mount LED Light, ideal for both indoor and outdoor use. Available in three color temperatures, and now featuring optional wattage and color temperature selection, it offers versatility to suit any environment. Designed for durability and vandal resistance, it ensures reliable performance in any setting. Illuminate your space with style and efficiency with our adaptable LED light.

FEATURES

- Die-cast aluminum housing, finished with powder coating.
- LED chip: standard 80 CRI.
- 120-277VAC 50/60Hz
- Built in motion sensor, (100%, Dim, Off).
- 0-10V dimming, dims down to 10%.
- available in 3000K, 4000K and 5000K.
- Optional 3 CCT Selectable allows for further customization based on your requirements.
- Built in 6Kv Surge Protector.
- IK10 & IP65 Rated.
- Built in Photocell with on/off switch.
- Operating Temperature: -40°F to 122°F
- Average life (L70) 50,000 hrs.

Project:	Date
Type:	
Model:	



White RAL9003	Grey RAL7045	Anthracite RAL7016	Black RAL9005
------------------	-----------------	-----------------------	------------------

ORDER INFORMATION

EXAMPLE: LCD-28W-CCTS-Y-BK



Series	Wattage	CCTS / CCT	Voltage	Finish
LCD Surface Mount	18W 18 Watts	CCTS** Selectable Color Temperature (3000K / 4000K / 5000K)	Y 120-277V	BK Black
	28W 28 Watts	30K 40K 50K 3000K 4000K 5000K		WH White
				SV** Silver
				AN** Anthracite

Enter configuration:

**Special order 6-8 weeks

Dimensions and values shown are nominal. LuminosoLED continually works to improve products and reserves the right to make changes which may alter the performance or appearance of products.

LCD Surface Mount

LED Surface Mount with Motion Sensor / 0-10V Dimming



PERFORMANCE DATA

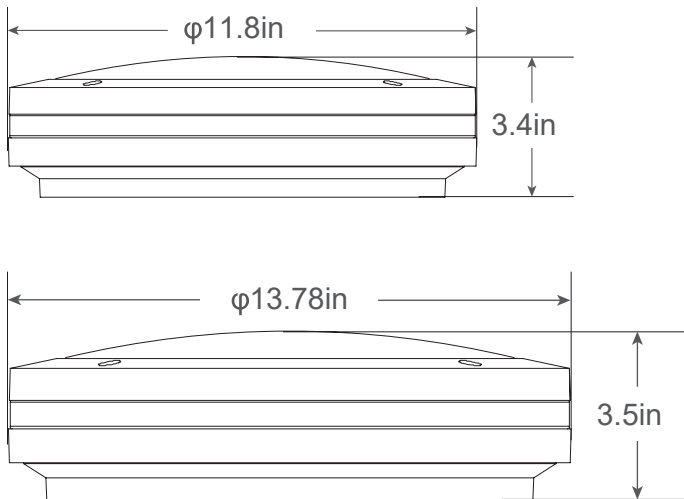
Model	Power	3000K	4000K	5000K
LCD	18W	1440 lm	1510 lm	1590 lm
LCD	28W	2400 lm	2520 lm	2600 lm

Color Temp.	Lumen Efficiency
3000K	95 lm/W
4000K	100 lm/W
5000K	105 lm/W

ELECTRICAL DATA

Input Voltage	CRI	Power Factor	SDCM	Beam Angle	Operation Temp.	IP / IK Rating	Fitting Material
120~277VAC	>80	>0.9	3	110°	-4°F~110°F	IP65 / IK10	Cast Aluminum + PS Diffuser

DIMENSIONS



PHOTOMETRIC

