

TWRP-6

6 IN ROUND PANEL SELECTABLE CCT / 120V

Project:	Date
Type:	
Model:	

DESCRIPTION

6 inch LED round panels feature a selectable color temperature switch to accommodate nearly any application. Our low profile design make it easy for mounting in confined ceilings or narrow spaces. Rated for IC and damp locations, this easy-to-install fixture does not require a separate housing as it can be mounted directly into the ceiling.

PRODUCT SPECIFICATIONS

- White painted Die-cast body is appropriate for heat dissipation.
- 2 Spring clips per-installed on unit for easy installation.
- One light J-Box.

LED LIGHT ENGINE

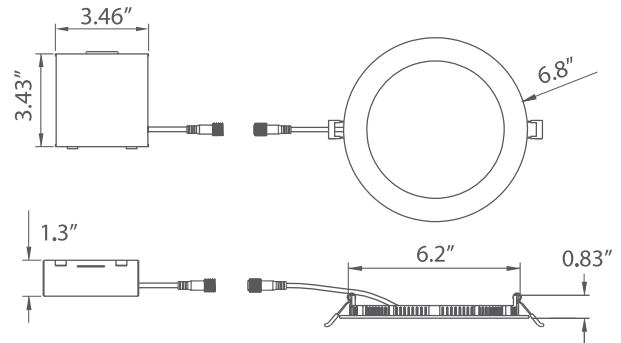
- Dimming down to 10% with CL (TRIAC based) dimmer.
- CCT SELECTABLE: 2700K, 3000K, 3500K, 4000K, and 5000K
- CRI 90
- Long life LED chips guaranteed up to 50,000hours.

LISTINGS

- ETL Listed
- Damp locations
- RoHS compliances
- Tested in accordance with IESNA LM79 & LM80



DIMENSIONS



ORDER INFORMATION

EXAMPLE: TWRP6-12-CCTS-Z-W



Series	Wattage	Voltage	CCT Selectable	Finish
TWRP6 6 Round Panel	12 12 Watts	Z Z = 120V	CCTS Selectable Color Temperature (2700K / 3000K / 3500K / 4000K / 5000K)	W W = White

Enter configuration:

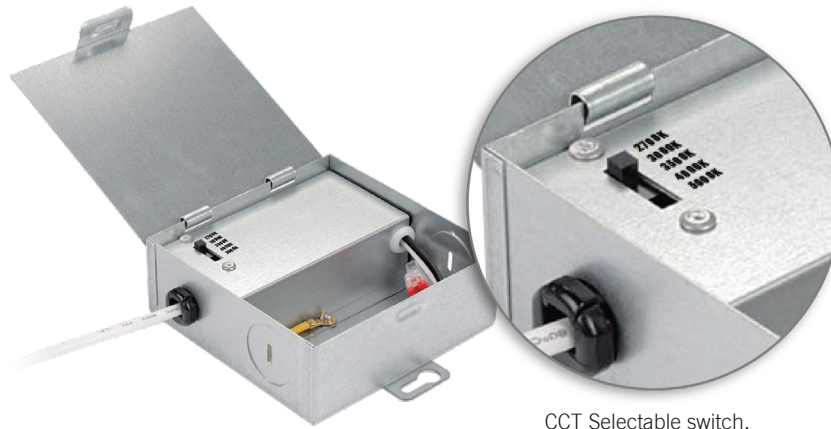
Special order **

Dimensions and values shown are nominal. LuminosoLED continually works to improve products and reserves the right to make changes which may alter the performance or appearance of products.

PERFORMANCE DATA

Watts	CRI	CCT	Lumens	Voltage	Frequency
12W	90	2700K 3000K 3500K 4000K 5000K	980-1,100 Lm	Z = 120V	50/60Hz

COLOR SELECTABLE



CCT Selectable switch.

TWRP6 Dimmer Compatibility

Number	Dimmer Brand Model	Power	Max. output current(=mA)	Min. output current(=mA)	Max. dimming ratio	Min. dimming ratio
1	LEVITON 6674	12W	268	10	93%	3%
2	LUTRON DVCL-153P	12W	267	23	93%	8%
3	LUTRON CTCL-153P	12W	267	16	93%	6%
4	LUTRON MACL-153M	12W	260	18	91%	6%
5	ELECTR/V/ART 40201	12W	280	30	98%	10%
6	LUTRON SCL-153P	12W	268	5	93%	2%
7	LEVITON 6633-P	12W	285	1	99%	0%
8	LEVITON 6613	12W	284	9	99%	3%
9	LEVITON 66EV	12W	284	59	99%	21%
10	LEVITON DDE06	12W	266	9	93%	3%
11	LUTRON SELV-303P	12W	271	19	94%	7%
12	LUTRON DVSCSELV-300P	12W	268	18	93%	6%