

Project		Date
Type		
Model		

ELHB3 Series LED Linear High Bay

Features

- Offering quality lighting and excellent energy savings compared to linear fluorescent and HID high-bay fixtures.
- Voltage is 120-277V or 347V-480V.
- Motion Sensor optional and supports Emergency Battery.
- Lumen output from 12,600 - 50,500lm with efficacy up to 142lm/W.
- Standard 0-10V dimming available.
- Aircraft wire (included), pendent & surface mounting available.
- Life span of 50,000 hrs.
- Operating temperature is -40°F to 131°F

90W / E130W



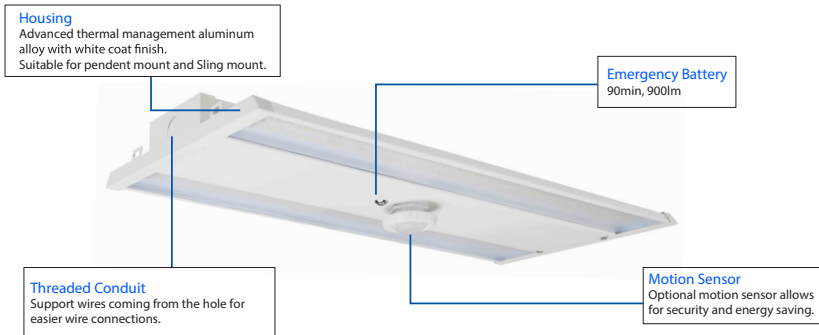
130W / 180W / 210W



L130W / L180W / L210W



270W / 300W / 370W



ORDER INFORMATION

EXAMPLE: ELHB3-23-130W-40K-J-Y-FR



Series	Mount	Wattage	CCT	Beam	Voltage	Lens	Motion Sensor	Emergency Battery Back-up
ELHB3 Linear High Bay	23 23 = Hanging Kit	90W E130W	40K 4000K	J 120°	Y Y = 120-277V HV HV = 347-480V	CL CL = Clear	Blank Blank = None	Blank Blank = None
		130W 180W 210W	50K 5000K			FR FR = Frosted	MS MS = Motion Sensor	EB Emergency Battery Back-up
		L130W L180W L210W						
		270W 300W 370W						

Enter configuration: _____

Note:
1. EB is not available in 347-480V.
2. 130W unable to configure emergency battery due to limited internal space.

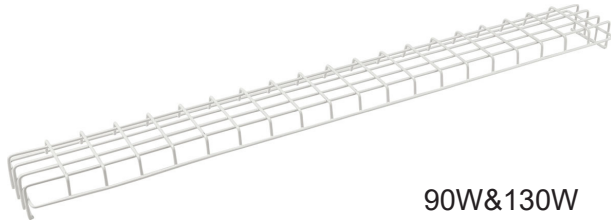
Dimensions and values shown are nominal. LuminosoLED continually works to improve products and reserves the right to make changes which may alter the performance or appearance of products.

PERFORMANCE DATA

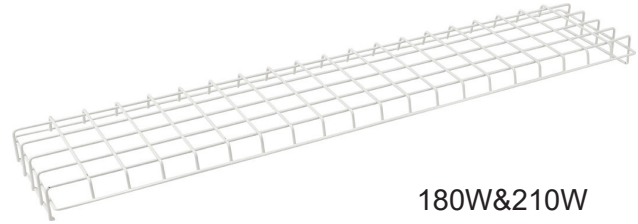
SYSTEM WATTS	VOLTAGE	LENS	LUMENS	LPW	LUMENS	LPW
90W	120-277VAC/347-480V	Clear Diffuser	12600lm	140lm/W	12600lm	140lm/W
		Prismatic Diffuser	12000lm	133lm/W	12000lm	133lm/W
		Frosted Diffuser	11700lm	130lm/W	11700lm	130lm/W
E130W	120-277VAC/347-480V	Clear Diffuser	18500lm	142lm/W	18500lm	142lm/W
		Prismatic Diffuser	17600lm	135lm/W	17600lm	135lm/W
		Frosted Diffuser	17200lm	132lm/W	17200lm	132lm/W
130W	120-277VAC/347-480V	Clear Diffuser	18500lm	142lm/W	18500lm	142lm/W
		Prismatic Diffuser	17600lm	135lm/W	17600lm	135lm/W
		Frosted Diffuser	17200lm	132lm/W	17200lm	132lm/W
180W	120-277VAC/347-480V	Clear Diffuser	25200lm	140lm/W	25200lm	140lm/W
		Prismatic Diffuser	24000lm	133lm/W	24000lm	133lm/W
		Frosted Diffuser	23400lm	130lm/W	23400lm	130lm/W
210W	120-277VAC/347-480V	Clear Diffuser	29000lm	138lm/W	29000lm	138lm/W
		Prismatic Diffuser	27600lm	131lm/W	27600lm	131lm/W
		Frosted Diffuser	27000lm	129lm/W	27000lm	129lm/W
L130W	120-277VAC/347-480V	Clear Diffuser	18500lm	142lm/W	18500lm	142lm/W
		Prismatic Diffuser	17600lm	135lm/W	17600lm	135lm/W
		Frosted Diffuser	17200lm	132lm/W	17200lm	132lm/W
L180W	120-277VAC/347-480V	Clear Diffuser	24000lm	133lm/W	24000lm	133lm/W
		Prismatic Diffuser	22800lm	127lm/W	22800lm	127lm/W
		Frosted Diffuser	22300lm	124lm/W	22300lm	124lm/W
L210W	120-277VAC/347-480V	Clear Diffuser	29000lm	138lm/W	29000lm	138lm/W
		Prismatic Diffuser	27600lm	131lm/W	27600lm	131lm/W
		Frosted Diffuser	27000lm	129lm/W	27000lm	129lm/W
270W	120-277VAC/347-480V	Clear Diffuser	37000lm	137lm/W	37000lm	137lm/W
		Prismatic Diffuser	35200lm	130lm/W	35200lm	130lm/W
		Frosted Diffuser	34400lm	127lm/W	34400lm	127lm/W
300W	120-277VAC/347-480V	Clear Diffuser	41500lm	138lm/W	41500lm	138lm/W
		Prismatic Diffuser	39400lm	131lm/W	39400lm	131lm/W
		Frosted Diffuser	38600lm	129lm/W	38600lm	129lm/W
370W	120-277VAC/347-480V	Clear Diffuser	50500lm	136lm/W	50500lm	136lm/W
		Prismatic Diffuser	48000lm	130lm/W	48000lm	130lm/W
		Frosted Diffuser	47000lm	127lm/W	47000lm	127lm/W

Number Of Drivers	Driver Current (mA)	Nominal Power (W)	INPUT VOLTAGE (V)	CURRENT (Amps)
1	2400	90	120	0.75
		90	208	0.43
		90	240	0.38
		90	277	0.32
		90	347	0.26
2	3300	E130	120	0.92
		E130	208	1.60
		E130	240	1.85
	3200	E130	277	2.13
		E130	347	2.67
2	3300	E130	480	3.69
		130	120	0.92
		130	208	1.60
		130	240	1.85
		130	277	2.13
2	4800	130	347	2.67
		130	480	3.69
		180	120	1.50
		180	208	0.87
		180	240	0.75
2	5200	180	277	0.65
		180	347	0.52
		180	480	0.38
		210	120	1.75
		210	208	1.01
2	3000	210	240	0.88
		210	277	0.76
		210	347	0.61
	3200	210	480	0.44
		130	120	1.08
2	4800	130	208	0.63
		130	240	0.54
		130	277	0.47
	3200	130	347	0.37
		130	480	0.27
2	4800	180	120	1.50
		180	208	0.87
		180	240	0.75
		180	277	0.65
		180	347	0.52
4	6520	180	480	0.38
		270	120	2.25
		270	208	1.30
	6400	270	240	1.13
		270	277	0.97
4	7200	270	347	0.78
		270	480	0.56
		300	120	2.50
	7400	300	208	1.44
		300	240	1.25
4	9600	300	277	1.08
		300	347	0.86
		300	480	0.63
		370	120	3.08
		370	208	1.78
4	9600	370	240	1.54
		370	277	1.34
		370	347	1.07
		370	480	0.77
		370	480	0.77

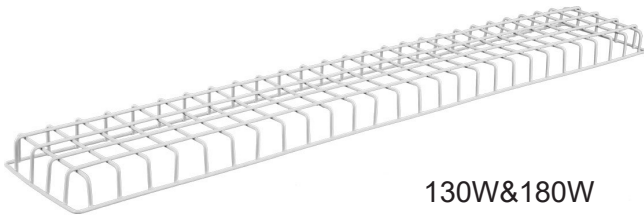
ACCESSORY



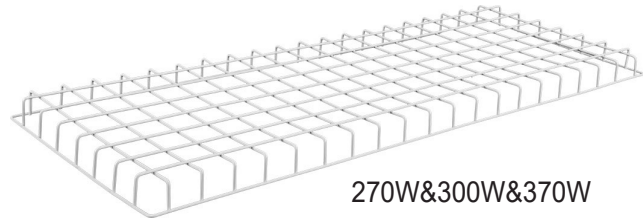
90W&130W



180W&210W



130W&180W

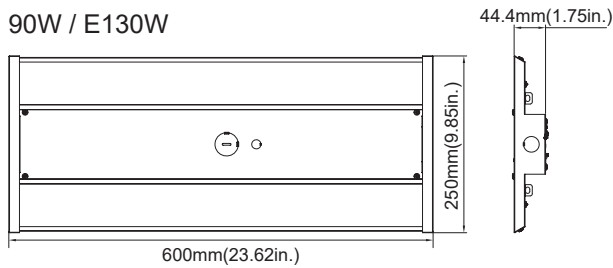


270W&300W&370W

DIMENSIONS

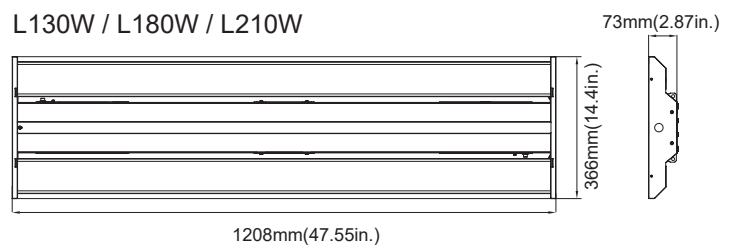
unit: mm/inch

90W / E130W



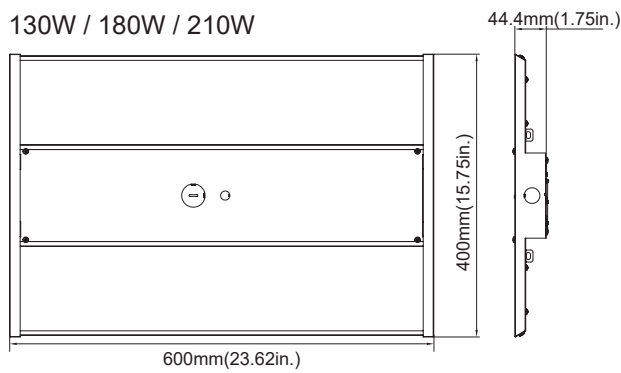
Weight
90W: 5.842 lbs
130W: 7.319 lbs

L130W / L180W / L210W



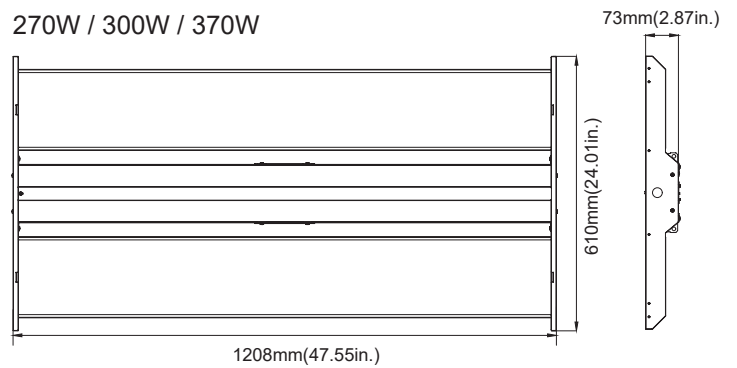
Weight
L130W: 13.91 lbs
L180W: 14.76 lbs

130W / 180W / 210W



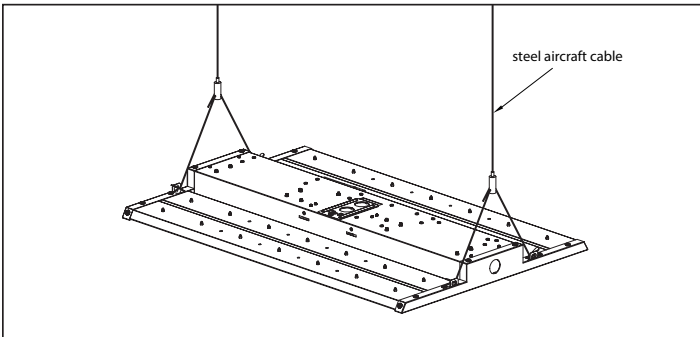
Weight
180W: 9.193 lbs
210W: 9.259 lbs

270W / 300W / 370W



Weight
270W: 22.46 lbs
300W: 22.49 lbs
370W: 22.50 lbs

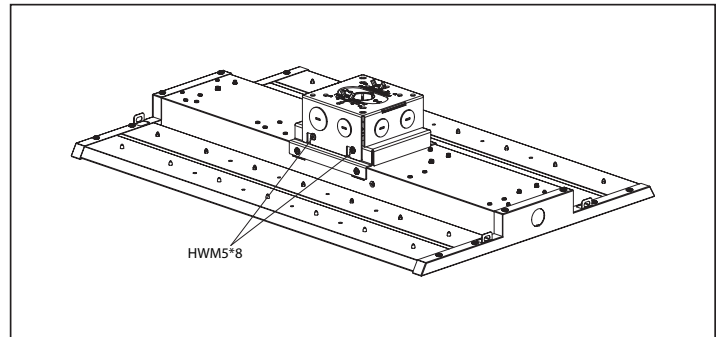
1. Aircraft cable suspension



Examine the fixture's condition and accessories prior to installation. Follow these steps for proper installation:

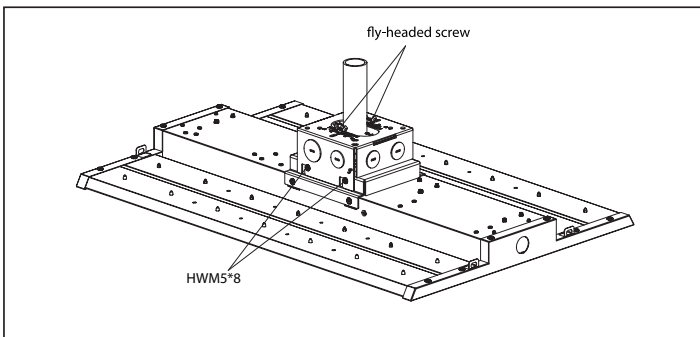
1. Verify that each of the two steel wire rope hooks is attached securely to the mounting holes on both ends of the fixture.
2. Proceed to remove the access plate and carefully extract the wires from the power driver.
3. Organize the wires within the compartment and route them through the access plate's hole. Complete the wiring process and reinstall the access plate. Finally, plug the flexible conduit into the hole of the access plate.

2. Surface Mounting



1. Attach the square J-BOX hanger to the ceiling junction box using the provided screws that match the junction box.
2. Hang the fixture of the J-BOX base onto the fixed hanger, then pull out the wires and proceed with the wiring.
3. Position the fixture horizontally and fasten it securely using M5 * 8 screws.

3. Hanging Conduit Mount



1. Install the adjustable board inside the square J-BOX using the M4*8 fly-headed flat bottom screw. Pass the 3/4" conduit through the adjustable board and secure it to the J-BOX. Please note that the nut required for this step is provided by others.
2. Attach the fixture to the hanger of the square J-BOX and proceed to connect the wires accordingly.
3. Position the fixture horizontally, and securely fasten it to the J-BOX using M5*8 screws.