

Project:	Date
Type:	
Model:	

DCOV Series Linear LED Light

CCT Selectable / 120V / 120-277V

PRODUCT DESCRIPTION

The LuminosoDCOV Series is now CCT Selectable. The multi-function, linear fixture can be used in a wide range of applications. It can be used as a low profile fixture for general lighting or as a cove light to create a beautiful, evenly dispersed, ambient light. The DCOV series is available in 2, 3, and 4 foot lengths and the CCT can be adjusted to 3000K, 4000K, or 5000K color temperatures.

FEATURES & BENEFITS

- Can be linked, seamless connection*
- AC 120-277V (Dimmable available in 120V only)
- CCT Selectable 3000K, 4000K, and 5000K
- Life span exceeds 50,000 hrs



ORDER INFORMATION

EXAMPLE: DCOV4-30W-CCTS-J-Y



Series	Wattage	CCT Selectable	Beam	Voltage
DCOV2 2FT Linear	15W	Selectable Color Temperature (3000K / 4000K / 5000K)	J 120°	Y = 120-277V (Not dimmable) Z = 120V (Dimmable)
DCOV3 3FT Linear	25W			
DCOV4 4FT Linear	30W			

Enter configuration:

[Linkable up to 200 Watts continuous run*](#)

Dimensions and values shown are nominal. LuminosoLED continually works to improve products and reserves the right to make changes which may alter the performance or appearance of products.

DCOV Series Linear LED Light

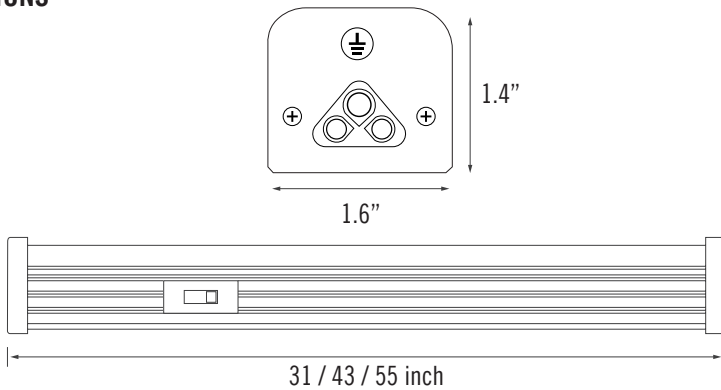
CCT Selectable / 120V / 120-277V



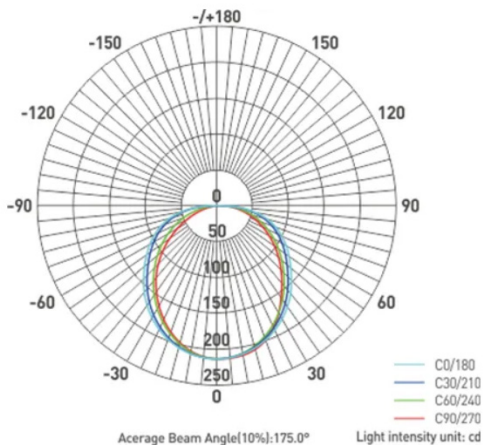
PERFORMANCE DATA

				4000K(CRI80)	
WATTS	SIZE	LENS	VOLTAGE	LUMENS	LPW
15W	2FT	Frosted	120VAC 120-277VAC	1,650 - 1,800	110-120lm/W
25W	3FT			2,750 - 3,000	
30W	4FT			3,300 - 3,600	

DIMENSIONS



PHOTOMETRIC



Standard Accessories:

