

### DESCRIPTION

Our new ECPY2 Canopy Light features selectable wattage and CCT, allowing you to easily customize brightness and color temperature for any application. Ideal for parking garages, gas stations, and similar spaces, it delivers energy-efficient lighting with superior flexibility.

For added functionality, optional features include an emergency backup battery for uninterrupted illumination during power outages and a motion sensor for enhanced energy savings and security. Durable and easy to install, this fixture is built to perform reliably in demanding environments.

### FEATURES

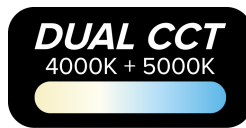
- Sealed die-casting profile for indoor and outdoor applications.
- Voltage is 120-277V.
- CCT Selectable 4000K / 5000K
- Wattage Selectable: 60W/46W/34W and 22W.
- Lumen output from 3,500-7,700lm with efficacy up to 164lm/W.
- Optional Parking Garage Photometry or Low Bay Photometry asper applications.
- Increase energy saving with bi-level Motion sensor.
- Replacing 100W MH and 175W MH.
- Operating temperature is -40°F to 113°F
- UL and DLC premium qualified.
- 0-10V Dimming optional.

Project:	Date
Type:	
Model:	



### ORDER INFORMATION

EXAMPLE: ECPR2-WS60-Y-CCTS-PG-BZ

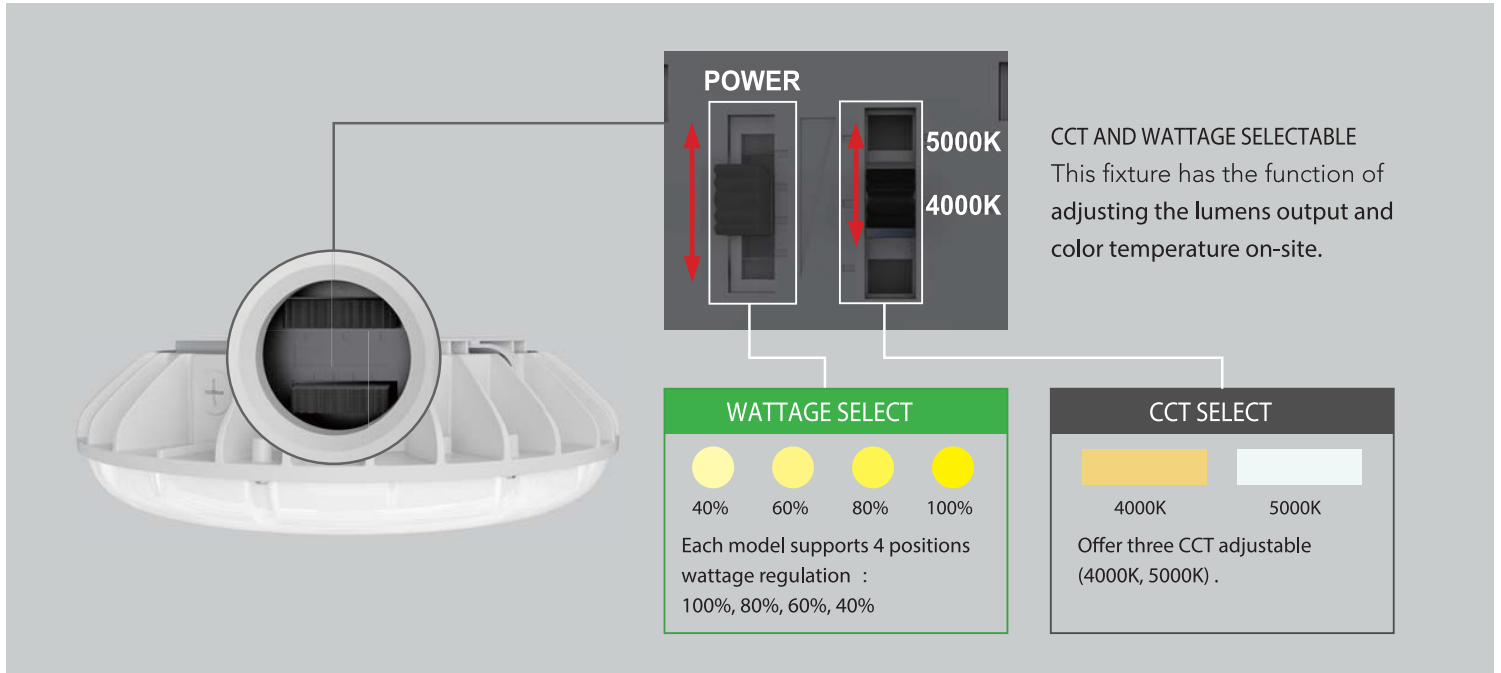


Series	Wattage Selectable	Voltage	CCT Selectable	Optics	Finish	Motion Sensor	Emergency Back-up	Dimmable Option
ECPR2 Canopy	WS60 Wattage Selectable (60W/46W/34W/22W)	Y 120-277V	CCTS Color Temperature Selectable (4000K / 5000K)	PG Parking Garage	BZ Bronze	Blank w/o Motion	Blank w/o Battery Backup	Blank Non Dimmable
				LB Low Bay (Not available for 90W)	WH** White BK** Black	MS Motion Sensor	EB Emergency Battery Backup (Not DLC w/ EB)	DIM Dimmable

Enter configuration:

\*\* Special Order 6-8 weeks, contact vendor.

Dimensions and values shown are nominal. LuminosoLED continually works to improve products and reserves the right to make changes which may alter the performance or appearance of products.



**PERFORMANCE DATA**

SETTING	SETTING WATTS	LUMENS	LPW	LUMENS	LPW
		4000K (70CRI)	4000K (70CRI)	5000K (70CRI)	5000K (70CRI)
100%	60W	7,700lm	128lm/W	7,500lm	125lm/W
80%	46W	6,500lm	141lm/W	6,300lm	137lm/W
60%	34W	5,000lm	147lm/W	4,900lm	134lm/W
40%	22W	3,600lm	164lm/W	3,500lm	159lm/W

**ELECTRICAL DATA**

Number Of Drivers	Driver Current (mA)	Nominal Power (W)	INPUT VOLTAGE (V)	CURRENT (Amps)
1	1050	60	120	0.50
		60	208	0.29
		60	240	0.25
		60	277	0.22

**1/2inch thread**

Support wires coming from the hole for easier wire connections.

**Emergency Battery**

900lm, 90min

**Photometry**

Optional Parking Garage Photometry or Low Bay Photometry as per applications.

**PIR Sensor**

Optional PIR sensor allows for security and energy saving.

**Mounting Bracket**

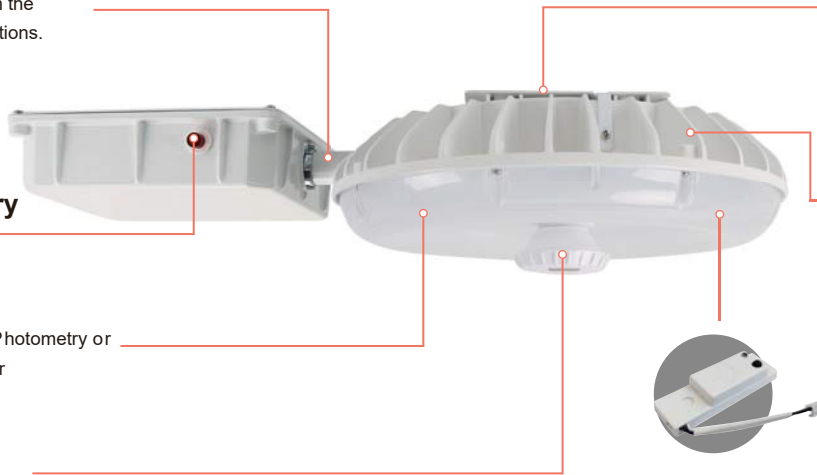
Suitable for J-BOX mounting, and easy for installation, also support pendant mounting, wires coming out from the back for easier wire connections.

**Housing**

One piece die cast housing better waterproofing, suitable for both indoor and outdoor application.

**Built in sensor**

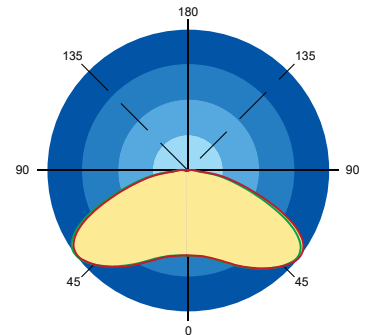
Microwave sensor, compact sized, DC input, and remote control. Optional daylight function with sensitive sensing when detect movement.



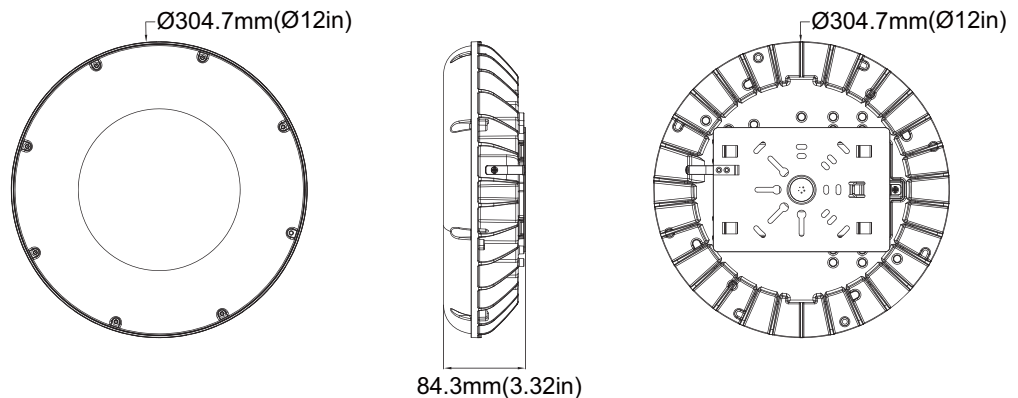
**ACCESSORIES (Optional)**

Emergency Battery Backup Description: 5W 800lm 90min	PIR Sensor, 120-277V Description: External sensor can be pre-installed in factory or field installed.	Microwave Sensor, 12V Description: Sensor can be built-in fixture.

**PHOTOMETRY**



**DIMENSIONS**



Weight:  
60W: 5.73lbs