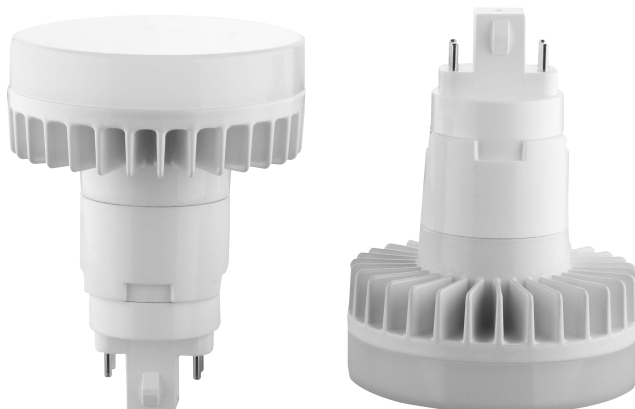
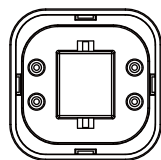


## Product Features

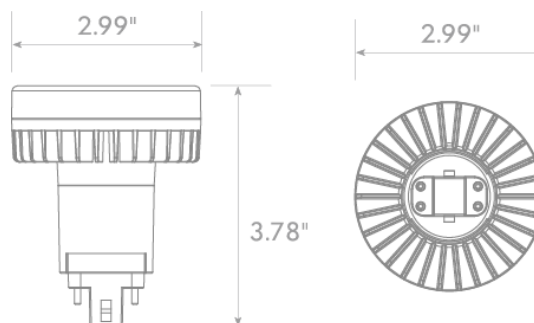
- Suitable for 6 inch cans
- Replaces 26 Watts CFL
- CRI: 80 / Beam Angle: 140°
- L70 life 50,000 hours
- Available in 3000K, 3500K, 4000K, 5000K CCT
- Operating Voltage : (120-277 VAC)
- Operating Temperature: -4°F to 105°F
- Die cast Aluminum heat sink
- UL listed / Damp
- 5 Year limited warranty



\*LED PL retrofit lamps only works with electronic ballast.



G24Q/4 Pin



## ORDER INFORMATION

EXAMPLE: LPB-12W-Y-40K-11



## Performance Summary

Model	Watts	CCT	Lumen (Lm) (±10%)	Beam (angle°)	Base	Voltage, Frequency	Power (±10%)	CRI
LPB	12W	3000K	900	140°	G24Q	120-277VAC 50/60Hz or Driven by CFL Ballast	100	> 80
		3500K	1,000					
		4000K	1,100					
		5000K	1,100					

Enter configuration:

\*\* Special Order / contact vendor

## List of ballast compatibility:

Ballast Description			Compatibility Test Result			
Electrical Characteristic			1-Lamp		2-Lamp	
Brand	Model	Volt	120 VAC	277 VAC	120 VAC	277 VAC
LUMAPRO	16X954	120-277V	✓	×	✓	✓
LUMAPRO	4KGJ7	120-277V	✓	✓	✓	✓
LUMAPRO	4KGJ8	120-277V	✓	✓	✓	✓
LUMAPRO	16X959	120-277V	✓	✓	✓	✓
Universal/Triad	C213UNVME	120-277V	✓	✓	✓	✓
Universal/Triad	C218UNVME	120-277V	✓	✓	✓	✓
Universal/Triad	C242UNVME	120-277V	✓	×	✓	✓
Universal/Triad	C2642UNVME	120-277V	✓	✓	✓	✓
HOWARD INDUSTRIES	EP2/13CF/MV	120-277V	✓	✓	✓	✓
HOWARD INDUSTRIES	EP2/18CF/MV	120-277V	✓	✓	✓	✓
HOWARD INDUSTRIES	EP/2/26CF/MV/2	120-277V	✓	✓	✓	✓
GE	GEC218MVPBSBES	120-277V	✓	✓	✓	✓
PHILIPS/ADVANCE	ICF-2S18-H1-LD	120-277V	✓	✓	✓	✓
PHILIPS/ADVANCE	ICF-2S26-H1-LD	120-277V	✓	✓	✓	✓
PHILIPS/ADVANCE	ICF-2S42-M2-LD	120-277V	✓	×	✓	✓
PHILIPS/ADVANCE	ICF-2S13-H1-LD	120-277V	✓	✓	✓	✓
ORSRAM/SYLVANIA	QTP1/2X18CF/UNVDM	120-277V	✓	✓	✓	✓
ORSRAM/SYLVANIA	QTP2X26CF/UNVDM	120-277V	✓	✓	✓	✓
ORSRAM/SYLVANIA	QTP1/2X13CF/UNVDM	120-277V	✓	✓	✓	✓
HATCH	HC226PS/UV/D	120-277V	✓	✓	✓	✓
CH	ACT2S26PSUNV	120-277V	✓	✓	✓	✓
STANDARD	31279STD	120-347V	✓	✓	✓	✓
STANDARD	31527STD	120-347V	×	✓	×	✓
KEYSTONE	KTEB-213-UV-PS-DW	120-277V	✓	✓	✓	✓
KEYSTONE	KTEB-218-UV-PS-DW	120-277V	✓	✓	✓	✓
KEYSTONE	KTEB-226-UV-PS-DW	120-277V	✓	✓	✓	✓
KEYSTONE	KTEB-218-UV-RS-DW	120-277V	✓	✓	✓	✓
FULHAM	RHAUNV226C	120-277V	×	×	×	✓
FULHAM	WH2120L	120-277V	✓	×	✓	×
FULHAM	WH2120C	120-277V	✓	×	✓	×
FULHAM	RHAUNV213C	120-277V	×	×	×	✓
FULHAM	RHA-UNV-218-C	120-277V	×	×	✓	✓
FULHAM	WH3-120-C	120-277V	✓	×	✓	×
FULHAM	WH2-277-L	120-277V	×	✓	×	×
FULHAM	WH3-277-L	120-277V	×	✓	×	✓
FULHAM	WH4-277-L	120-277V	×	✓	×	✓
FULHAM	RHA-UNV-242-C	120-277V	×	×	✓	✓

### Warning:

Manufacturer of LED Type PL G24Q Lamps has a limitation of compatibility, not compatible with ALL ballasts, they were tested for compatibility with the above listed electronic ballasts. Ballasts that do not appear on the chart might still be compatible but have not been tested. It is a general recommendation to perform a test on-site before installing the LED lamps.