

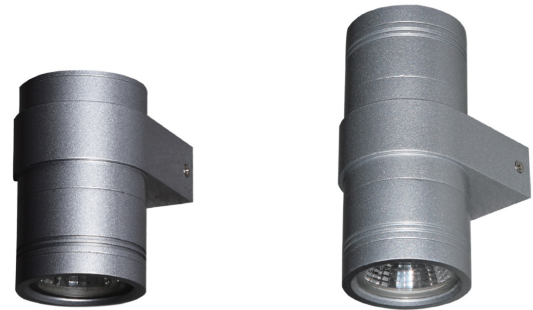
RWL / RWM

Single Side / Double Side Wall Mount

Project: _____
 Type: _____
 Model: _____

Features:

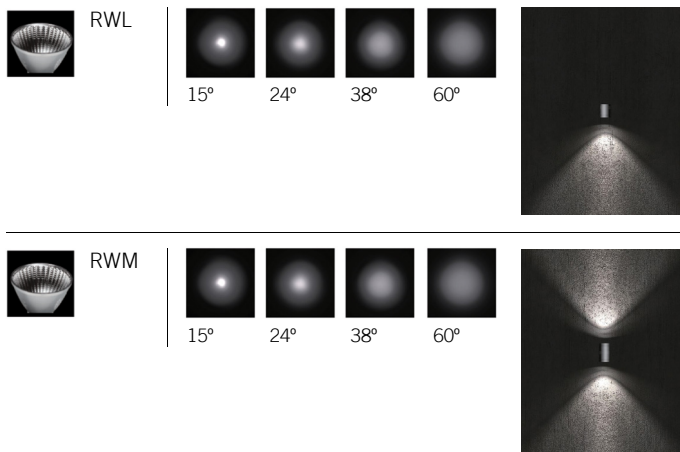
- HOUSING MATERIALS** | Extruded aluminum alloy, Die-casting, Powder coating, T=60~80 um./Adhesion of ISO class, 1.ASTM class 4B
- FINISH** | Black / White / Graphite / Silver / Bronze
- REFLECTOR** | Optical reflector. efficiency >85%
- LED** | NICHIA
- OPERATING TEMPERATURE** | -4°F to 104°F
- POWER CABLE** | H05RN-F 3X1.0mm² L=0.3m (High voltage)
- IP Rating** | IP65-Rated



RWL

RWM

OPTICS



FINISH OPTIONS



Example: **RWL-10L50K-D38-Z-SV**



Series	Lumens (CCT)	Down Beam				Up Beam				Voltage	Finish		
RWM 2x10 Watts	4L30K 4L (3000K) 420x2 Lumens	4L40K 4L (4000K) 433x2 Lumens	5L50K 5L (5000K) 509x2 Lumens	D15 15°	D24 24°	D38 38°	D60 60°	U15 15°	U24 24°	U38 38°	U60 60°	Z Z = 120 Volts	BK Black
	Lumens based off 24° Beam angle												WH White
RWL 13 Watts	9L30K 9L (3000K) 960 Lumens	9L40K 9L (4000K) 990 Lumens	10L50K 10L (5000K) 1,020 Lumens	D15 15°	D24 24°	D38 38°	D60 60°	N/A				GR Graphite	
	Lumens based off 24° Beam angle												SV Silver
													BZ Bronze

Enter configuration: _____

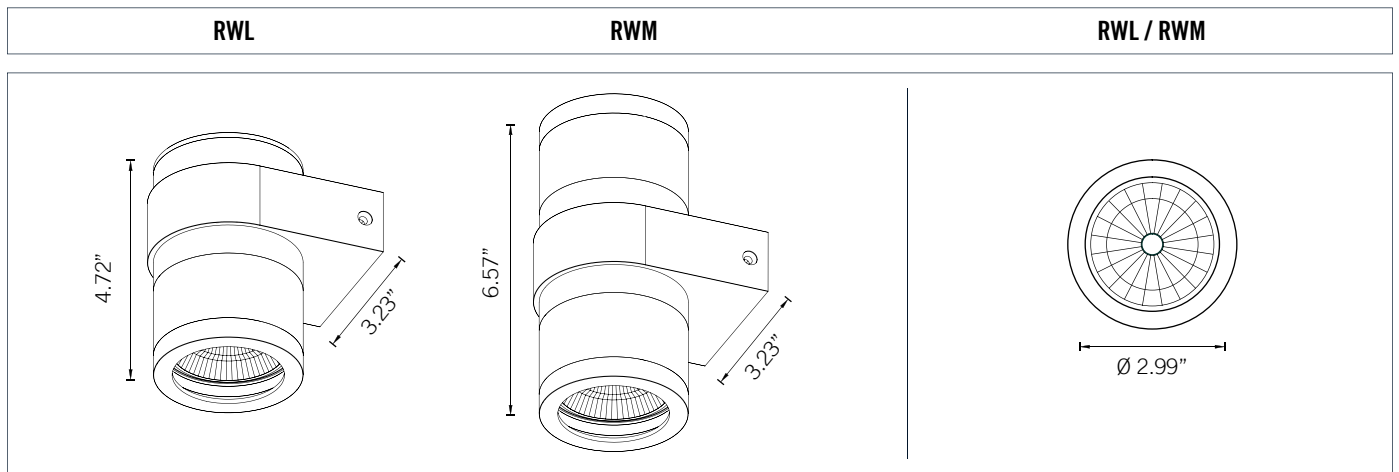
** Special Order

Dimensions and values shown are nominal. LuminosoLED continually works to improve products and reserves the right to make changes which may alter the performance or appearance of products.

PERFORMANCE DATA

Series	RWL	RWM
Power	13W	10Wx2
Lumens	960 (30K) 990 (40K) 1,020 (50K)	420*2 (30K) 433*2 (40K) 509*2 (50K)
IP Rating	IP65	IP65
Operating Temp.	-4°F to 104°F	-4°F to 104°F
Input	120V	120V

DIMENSIONS



PHOTOMETRIC CURVES

