

Project:	Date
Type:	
Model:	

DESCRIPTION

Our 4 inch LED square panel feature a selectable color temperature switch to accommodate nearly any application. Our low profile design make it easy for mounting in confined ceilings or narrow spaces. Rated for IC and damp locations, this easy-to-install fixture does not require a separate housing as it can be mounted directly into the ceiling.

PRODUCT SPECIFICATIONS

- White painted Die-cast body is appropriate for heat dissipation.
- 2 Spring clips per-installed on unit for easy installation.
- One light J-Box.

LED LIGHT ENGINE

- Dimming down to 10% with CL (TRIAC based) dimmer.
- CCT SELECTABLE: 2700K, 3000K, 3500K, 4000K, and 5000K
- CRI 90
- Long life LED chips guaranteed up to 50,000hours.

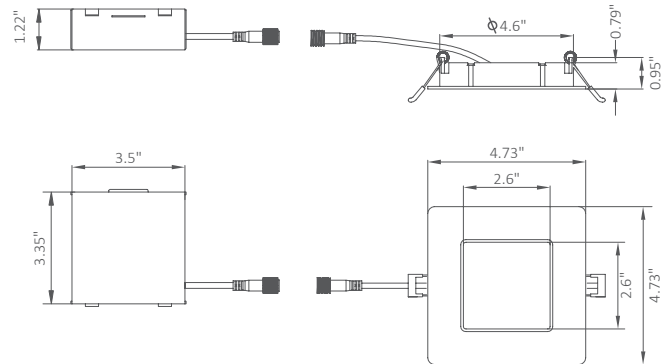
LISTINGS

- ETL Listed
- Damp locations
- RoHS compliances
- Tested in accordance with IESNA LM79 & LM80

TWSP-4 4 IN SQUARE PANEL SELECTABLE CCT / 120V



DIMENSIONS



ORDER INFORMATION

EXAMPLE: TWSP4-10-CCTS-Z-W



Series	Wattage	Voltage	CCT Selectable	Finish
TWSP4 4 Square Panel	10 10 Watts	Z Z = 120V	CCTS Selectable Color Temperature (2700K / 3000K / 3500K / 4000K / 5000K)	W W = White

Enter configuration:

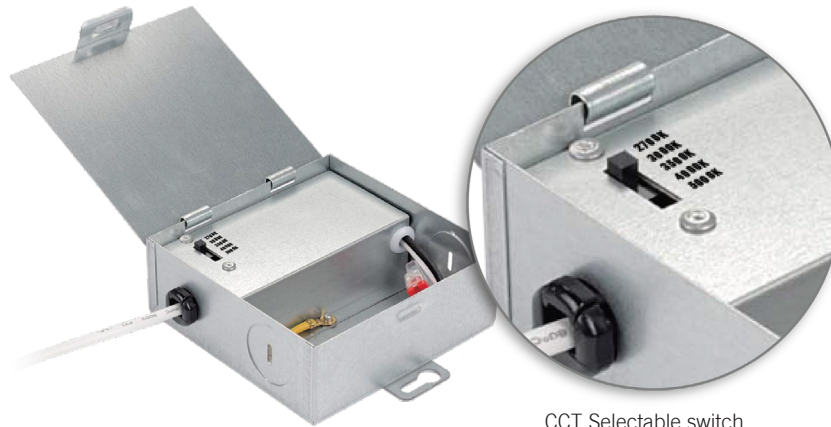
Special order **

Dimensions and values shown are nominal. LuminosoLED continually works to improve products and reserves the right to make changes which may alter the performance or appearance of products.

PERFORMANCE DATA

Watts	CRI	CCT	Lumens	Voltage	Frequency
10W	90	2700K 3000K 3500K 4000K 5000K	810-890 Lm	Z = 120V	50/60Hz

COLOR SELECTABLE



CCT Selectable switch.

TWSP4 Dimmer Compatibility

Number	Dimmer Brand Model	Power	Max. output current(=mA)	Min. output current(=mA)	Max. dimming ratio	Min. dimming ratio
1	LEVITON 6674	10W	200	14	91%	6%
2	LUTRON DVCL-153P		205	20	93%	9%
3	LUTRON CTCL-153P		210	14	95%	6%
4	LUTRON MACL-153M		207	16	94%	7%
5	ELECTR/V/ART 40201		220	30	100%	14%
6	LUTRON SCL-153P		208	5	95%	2%
7	LEVITON 6633-P		208	1	95%	0%
8	LEVITON 6613		217	9	99%	4%
9	LEVITON 66EV		217	55	99%	25%
10	LEVITON DDE06		204	9	93%	4%
11	LUTRON SELV-303P		207	19	94%	9%
12	LUTRON DVSCELV-300P		206	18	94%	8%