

RWU / RWT

Single / Double Side Wall Mount

Project: _____
 Type: _____
 Model: _____

Features:

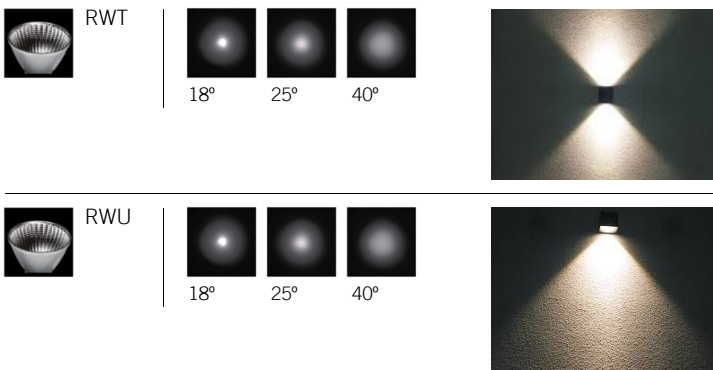
- HOUSING MATERIALS** | Extruded aluminum alloy, Die-casting, Powder coating, T=60~80 um./Adhesion of ISO class, 1.ASTM class 4B
- FINISH** | Black / White / Graphite / Silver / Bronze
- LENS** | T=6mm
- LED** | NICHIA
- OPERATING TEMPERATURE** | -4°F to 104°F
- POWER CABLE** | H05RN-F 3X1.0mm² L=0.3m (High voltage)
- IP / IK Rating** | IP65 Rated / IK06



RWU

RWT

OPTICS



FINISH OPTIONS



Example: RWT-3L30K-D40-U40-Z-WH



Series	Lumens (CCT)			Down Beam			Up Beam			Voltage	Finish
RWT 2x7 Watts	3L30K 3L (3000K) 320x2 Lumens	3L40K 3L (4000K) 370x2 Lumens	4L50K 4L (5000K) 400x2 Lumens	D18 18°	D25 25°	D40 40°	U18 18°	U25 25°	U40 40°	Z Z = 120 Volts	BK Black WH White GR Graphite SV Silver BZ Bronze
RWU 8 Watts	6L30K 6L (3000K) 651 Lumens	7L40K 7L (4000K) 745 Lumens	8L50K 8L (5000K) 805 Lumens	D18 18°	D25 25°	D40 40°	N/A				

Lumens based off 25° Beam angle

Enter configuration: _____

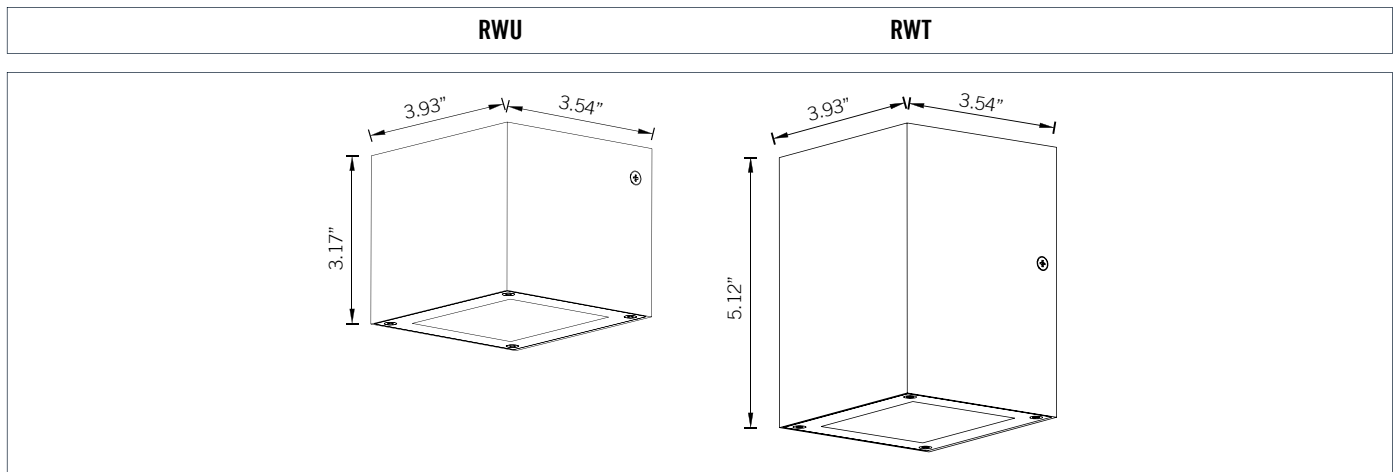
** Special Order

Dimensions and values shown are nominal. LuminosoLED continually works to improve products and reserves the right to make changes which may alter the performance or appearance of products.

PERFORMANCE DATA

Series	RWU	RWT
Power	8W	7Wx2
Lumens	651 (30K) 745 (40K) 805 (50K)	320* ² (30K) 370* ² (40K) 400* ² (50K)
IP Rating	IP65	IP65
Operating Temp.	-4°F to 104°F	-4°F to 104°F
Input	120V	120V

DIMENSIONS



PHOTOMETRIC CURVES

