

Project		Date
Type		
Model		

HMR24 Series 2x4 LED Troffer

CCT / WATTAGE SELECTABLE

PRODUCT DESCRIPTION

The HMR24 LED troffer combines exceptional 80 CRI lighting with up to 128 lumens per watt efficiency. It's both power and CCT selectable (3500K, 4000K, 5000K) and features 0-10V dimming, making it perfect for new construction or retrofitting fluorescent troffer fixtures. Its versatility extends to various settings, from offices, retail stores, and schools to government, healthcare, and hospitality spaces.



SPECIFICATIONS

Construction

- Aluminum frame in white finish, steel die-formed back enclosure

Optics

- PMMA lenses over LEDs, PS diffuser
- SDCM < 5
- UGR < 22
- 120° Beam angle

Electrical

- 0-10VDC Dimming (10%-100%)

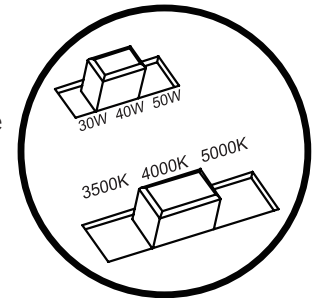
Certifications

- ETL Listed for Damp Locations
- DLC PREMIUM
- IC Rated for insulated ceilings
- 4°F to 120°F
- RoHS, FCC

Warranty

- 5 Years

Wattage & CCT Selectable switches located on on of fixture.



SELECTABLE WATTAGE

30W ►►► 40W ►►► 50W

SELECTABLE CCT

3500K ►►► 4000K ►►► 5000K

ORDER INFORMATION

EXAMPLE: HMR24-WS-Y-CCTS



Series	Wattage	Voltage	CCT	Emergency Battery Backup
HMR24 2x4 Troffer	WS Selectable Wattage (30W / 40W / 50W)	Y 120-277V	CCTS Color Temperature Selectable (3500K / 4000K / 5000K)	(Blank) w/o Battery Backup EB Emergency Battery Backup (90 minutes of illumination when AC power is removed)

Enter configuration:

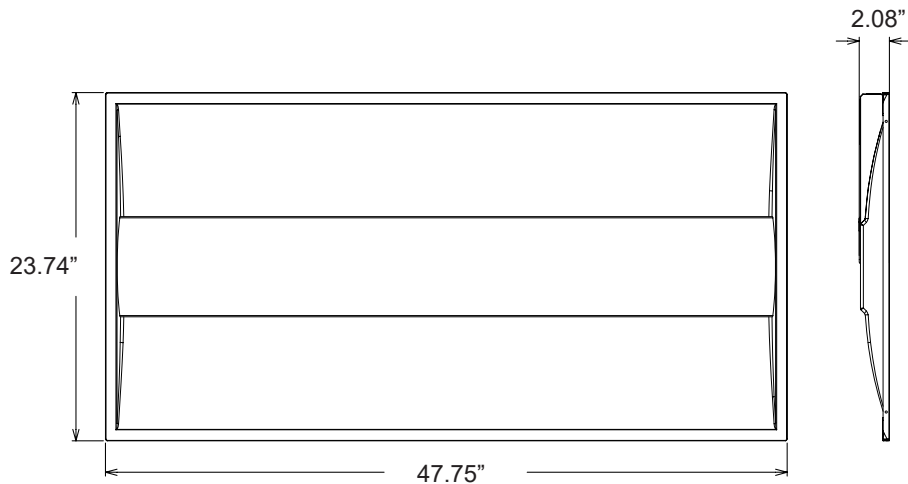
** Special Order

Dimensions and values shown are nominal. LuminosoLED continually works to improve products and reserves the right to make changes which may alter the performance or appearance of products.

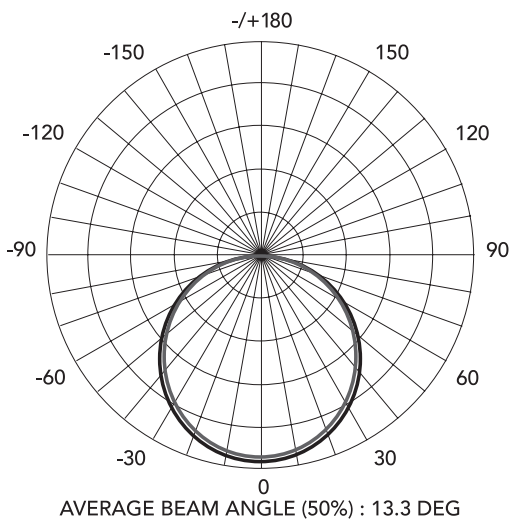
PERFORMANCE DATA

Series	HMR24 (2x4)
Wattage Selectable	30W ▶▶▶ 40W ▶▶▶ 50W
CCT Selectable	3500K ▶▶▶ 4000K ▶▶▶ 5000K
Lumens	3,750 / 5,040 / 6,400
Efficacy (LPW)	125-127.5
CRI	80
Input Voltage	120-277VAC, 0-10VDC Dimming
Certifications	DLC Premium, ETL, Damp Rated, FCC, RoHS
Operating Temp	-4°F to 120°F
Warranty	5 Years

DIMENSIONS

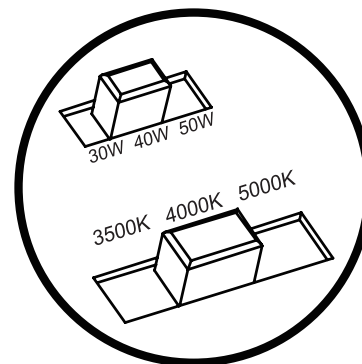


PHOTOMETRICS



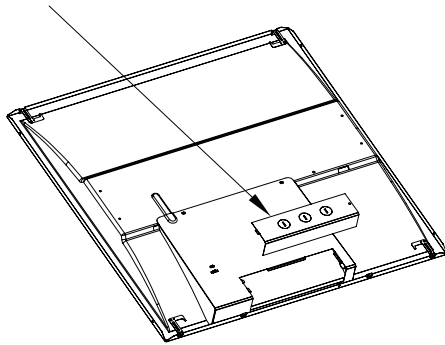
INSTALLATION

- Select your preferred power setting.
- Select your preferred color temperature.

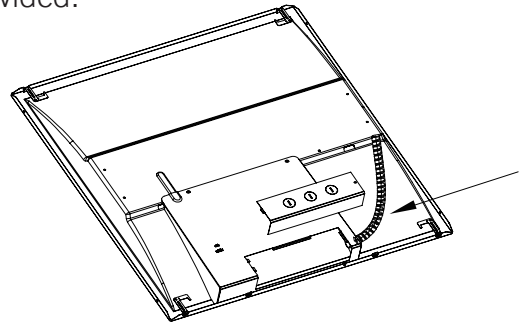


T-GRID MOUNT

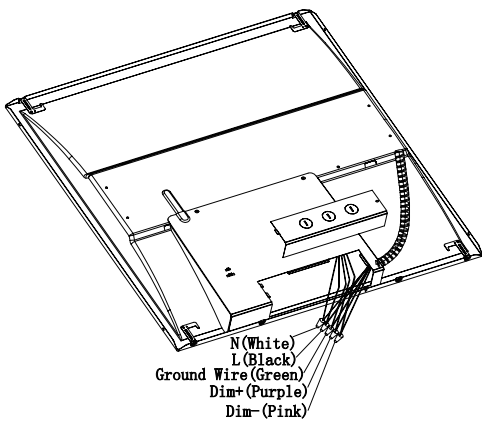
1) Remove J-Box access plate.



2) Connect conduit using knockouts provided.



3) Locate wires, and connect.



4) Select desired color temp and wattage using switch.

