

RIAZ

Round Adjustable Inground LED Flood Light

Project: _____
 Type: _____
 Model: _____

Features:

- HOUSING MATERIALS** | Die-casting dark grey powder coated aluminum
T=60-80 um./Adhesion of ISO class, 1.ATM class 4B
- FRONT COVER** | Chromeplated stainless steel SUS 316#
- GLASS LENS** | Tempered step glass. T=8mm
- DIMMABLE** | No
- CONCRETE POUR KIT / SLEEVE** | ABS
- WATER-TIGHT CABLE GLAND** | IP68
- REFLECTOR** | Optical reflector 9° / 15° / 20° / 30° / 45°
- LED** | NICHIA COB
- OPERATING TEMPERATURE** | -4°F to 104°F
- POWER CABLE** | H05RN-F 2X1.0mm² L=0.5m (low voltage)
- FIXTURE IP/ IK Rating** | IP67 Rated / IK09



RIAZ

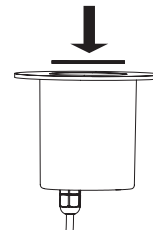
OPTIONAL LOUVER



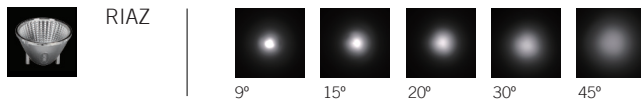
LH011
Optional Accessory
Hexcell Louver

GLASS PRESSURE CAPACITY

783 kgs (1,726 lb)



OPTICS



Example: RIAZ-4L50K-D20-X-SS

Series	Lumens (CCT)			Beam Angle					Accessory	Voltage	Finish
	3L20K 3L (2000K) 350 Lumens	4L30K 4L (3000K) 420 Lumens	4L50K 4L (5000K) 479 Lumens	D9 9°	D15 15°	D20 20°	D30 30°	D45 45°			
RIAZ Round Inground 5.2 Watts									Leave Blank	X 24 Volts	SS Stainless Steel 316
	Lumens based off 20° Beam angle								LH011 Hexcell Louver Accessory	Requires remote 24V transformer.	

Enter configuration: _____

** Special Order

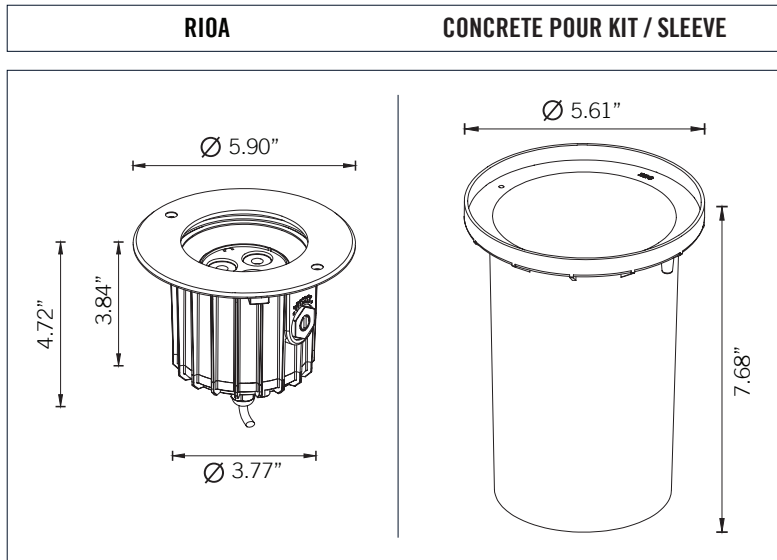
Dimensions and values shown are nominal. LuminosoLED continually works to improve products and reserves the right to make changes which may alter the performance or appearance of products.



PERFORMANCE DATA

Series	RIAZ
Power	5.2W
Lumens	350 (20K) 420 (30K) 479 (50K)
IP Rating	IP67
Operating Temp.	-4°F to 113°F
Input	24V

DIMENSIONS



BEAM DIRECTIONAL



PHOTOMETRIC CURVES

