

Project:	
Type:	
Model#:	

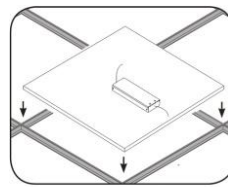
LFP22 Series 36W 2x2 LED Panel

PRODUCT DESCRIPTION

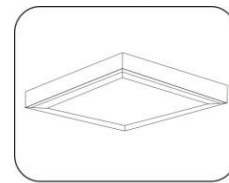
The LFP Panels are designed for residential and commercial suspended grid ceilings. Use this 2' x 2' rectangular LED panel light for office lighting, basement lighting, light box and sign back-lighting, gym lighting, school lighting, hospital lighting, and more! Replace existing fluorescent troffer light fixtures, or use it for new construction applications. The LED panel light delivers a smooth, flawless wall of illumination without visible bulbs or hot spots. The 36-watt LED light emits up to 3,600 lumens of natural, cool, or warm white illumination.

PERFORMANCE SUMMARY

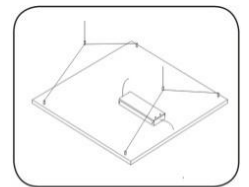
Power: 36 Watts
Delivered Light Output: 3,600 Lumens
Efficacy: 100 Lm/W
CRI: Ra>80
CCT Options: 3500K, 4000K, 5000K
Input Voltage: 120-277 VAC
Power Factor: >0.9
Driver output: DC27-42V 1.A
Standard Warranty: 5 Year Warranty
Standard Lifetime: Designed to L70 minimum 50,000 hours
Working Temperature: -4°F to 104°F
Installation Options: Recessed, Suspended**, Surface Mounted**
0-10V dimming / 10% - 100% Smooth linear dimming
Dimensions: L 23.7" x W 23.7" x H 1.7"



Grid Embedded



Ceiling Mounted



Ceiling Hanging

ORDER INFORMATION

EXAMPLE: LFP22-36W-Y-50K-18-SO



Series	Wattage	Voltage	CCT	Base	Output	Options
LFP22	36W	Y=120-277V	35K = 3500K 40K = 4000K 50K = 5000K	18 = Lay In	SO = Standard Output HO = High Output**	EB = Emergency Battery Backup

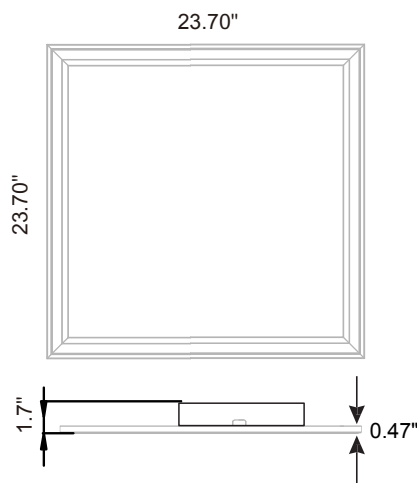
Enter configuration:

** Special Order / contact vendor

Series / Performance

Series No.	LFP22
Power:	36W
Lumens:	3,600
Efficacy:	100 Lm/W
CRI:	80
Input:	120-277V AC

Dimensions



Polar Candela Distribution

Fixture photometry has been conducted in accredited testing laboratory in accordance with IESNA LM-79-08.

100 Lm/W

