

Ac [M]e		FR
Ej aV		
> UAr		

COV Series Linear LED Light

PRODUCT DESCRIPTION

The Luminoso COV Series is a sleek, multi-function, linear fixture that can be used in a wide range of applications. It can be used as a low profile fixture for general lighting or as a cove light to create a beautiful, evenly dispersed, ambient light. The COV series is available in 2, 3, 4, and 5-foot lengths and in either 3000K, 4000K, or 5000K color temperatures. With lumen packages ranging from 990 to 1,980 lumens, this versatile product can be the answer to many difficult lighting solutions.

FEATURES

LED Chip

The active color management system maintains superior color consistency over time. Every fixture is tuned as a complete system to the optimal color point before shipment, ensuring consistent fixture to fixture color.

Heat Sink

The thermal management system's cooling design allows for even heat dispersement which minimizes heat concentration. This enables the LEDs to consistently run cooler, providing significant boosts to lifetime, efficacy, and color consistency.

Optical System

Proprietary optical system utilizes a unique combination of reflective and refractive optical components to achieve a uniform, comfortable appearance. Using high density laser pixels to emit even light. This product produces no glare.



Flex Connector



Connector

Standard Accessories



ORDER INFORMATION

EXAMPLE: COV2-14-9W-40K-J-Y-FR



Series	Watts	CCT	Voltage	Dimension (L x W x H)
COV2-14-9W-XX-J-Y-FR	9W	3000K / 4000K / 5000K	110-277V	22.9 x 1.5 x 1.56
COV3-14-13W-XX-J-Y-FR	13W	3000K / 4000K / 5000K	110-277V	34.9 x 1.5 x 1.56
COV4-14-18W-XX-J-Y-FR	18W	3000K / 4000K / 5000K	110-277V	46.9 x 1.5 x 1.56
COV5-14-25W-XX-J-Y-FR	25W	3000K / 4000K / 5000K	110-277V	58.9 x 1.5 x 1.56

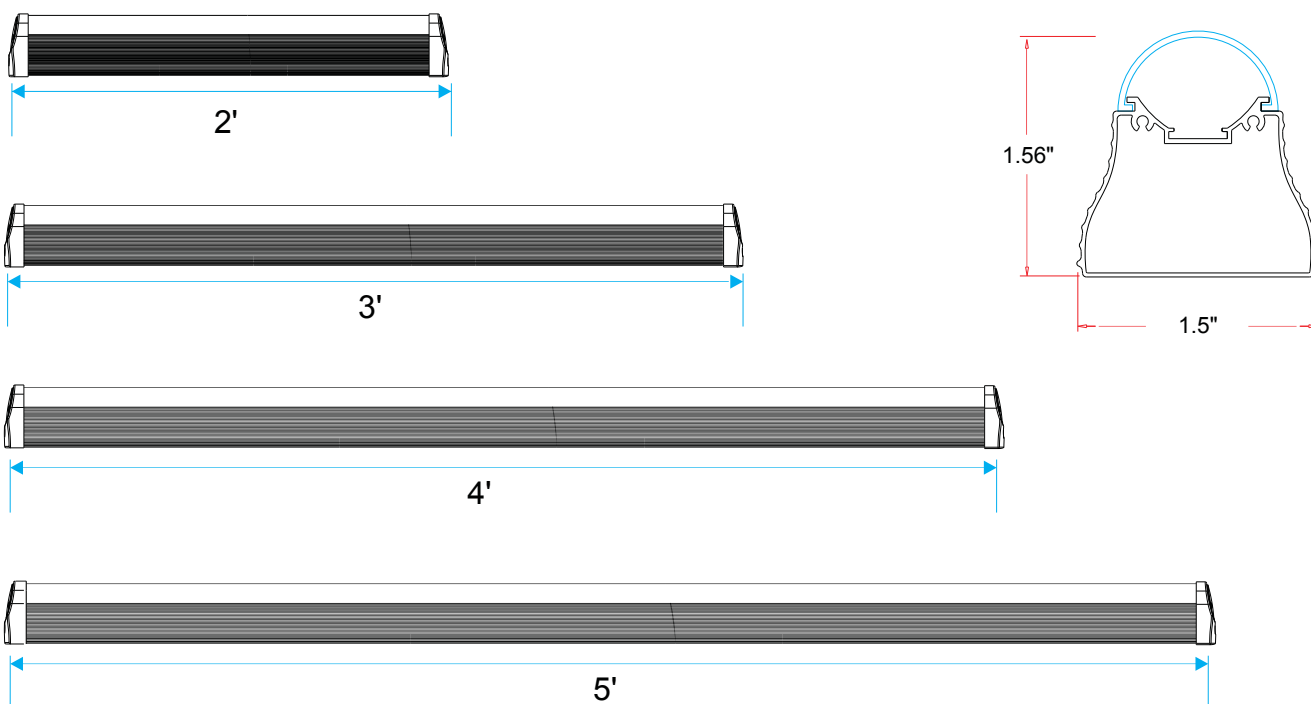
Enter configuration:

** Special Order / contact vendor

Series / Performance

Series No.	COV2	COV3	COV4	COV5
Power	9W	13W	18W	25W
Lumens	990	1,430	1,980	2,532
Efficacy	110 (Lm/W)	110 (Lm/W)	110 (Lm/W)	105 (Lm/W)
Input	100-277V	100-277V	100-277V	100-277V
CRI	80	80	80	80
Standard Lifetime	L70 minimum 50,000	L70 minimum 50,000	L70 minimum 50,000	L70 minimum 50,000
Operating Temperature	-4°F to 122°F	-4°F to 122°F	-4°F to 122°F	-4°F to 122°F
Dimmable	Not dimmable			

Dimensions



Linkable up to 200 Watts

