

## DESCRIPTION

Luminoso LED's next-generation Linear High Bay series combines exceptional energy efficiency, superior light uniformity, and long-lasting performance. Designed to minimize contractor costs, it's the perfect solution for both retrofits and new installations. The compact structure simplifies and accelerates installation, while each model's CCT and wattage selectable features enhance flexibility and on-site convenience, reducing the need for excessive inventory.

## SPECIFICATIONS

### Construction:

- Constructed with durable, one-piece die-cast aluminum housing for unmatched quality and performance.
- Advanced thermal management with isolated LED module and driver ensures extended service life through efficient convection cooling.
- Compact design streamlines installation, reducing labor costs and boosting efficiency.

### Optics:

- Color-selectable light engines offer flexibility, allowing CCT adjustment between 4000K and 5000K.
- Versatile lumen packages range from 14,000 to 60,600 lumens to meet diverse lighting needs.
- Prismatic translucent lens enhances light uniformity while effectively reducing glare.

### Electrical:

- Compatible with universal input voltage options: 120-277VAC or 347-480VAC.
- Adjustable wattage settings at 100%, 80%, 60%, and 40% for flexible energy management.
- Features standard 0-10V dimming, offering a range from 100% to 10%, with a power factor >90%, THD <20%, and 6kV surge protection.
- Operates in extreme temperatures from -40°C to 50°C (-40°F to 122°F).
- Note: When using an emergency battery, the operating temperature range is 5°C to 50°C (41°F to 122°F).

### Controls:

- Optional occupancy sensor or Microwave sensor.

### Installation:

- Steel wire rope mount (Standard).
- Surface mount (option).
- Conduit pendant mount (option).

### Lifespan:

- Estimated 70,000-hour LED lifespan based
- on IES LM-80 results and TM-21 calculations

|          |      |
|----------|------|
| Project: | Date |
| Type:    |      |
| Model:   |      |



## ORDER INFORMATION

EXAMPLE: ELHB4-WS205-Y-CCTS



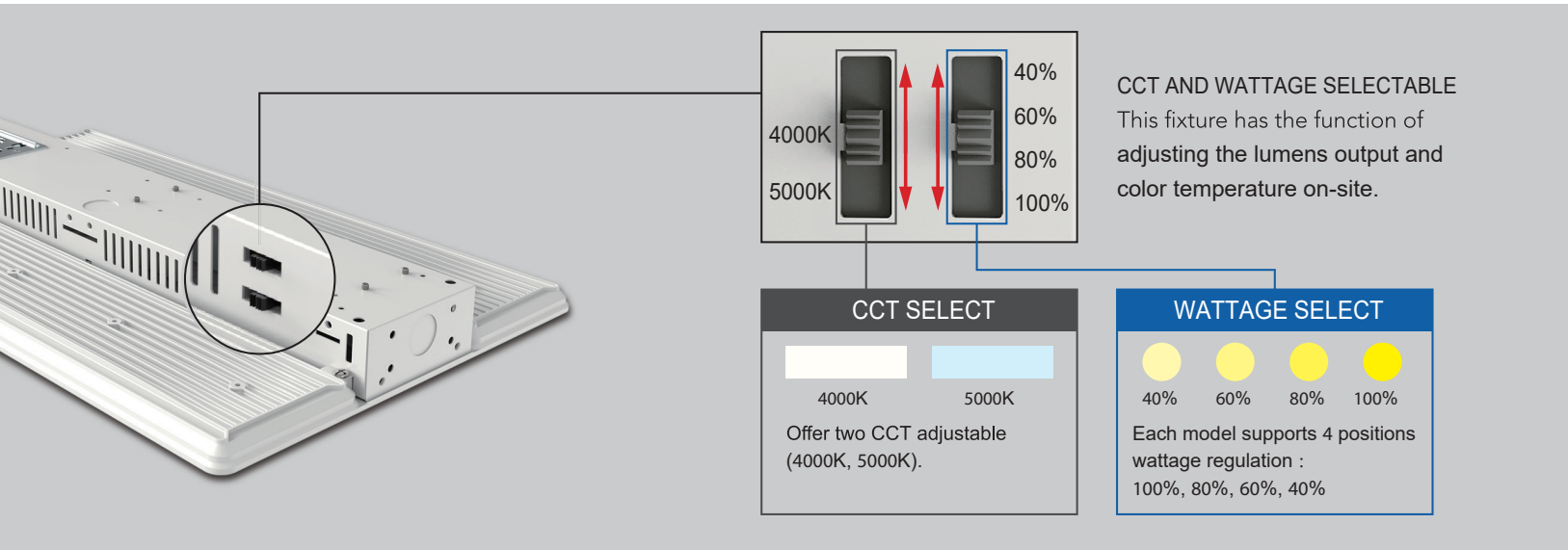
| Series                   | Wattage Selectable                          | Voltage              | CCT Selectable   | Motion Sensor                 | Wire Guard                    | Emergency Battery Back-up              |
|--------------------------|---|----------------------|--|-------------------------------|-------------------------------|--|
| ELHB4<br>Linear High Bay | <b>WS205</b><br>(205W / 164W / 123W / 82W)  | <b>Y</b><br>120-277V | <b>CCTS</b><br>(Color Temp. Selectable)<br>4000K / 5000K | <b>Blank</b><br>No sensor     | <b>Blank</b><br>No Wire guard | <b>Blank</b><br>No EB                  |
|                          | <b>WS300</b><br>(300W / 240W / 180W / 120W) | <b>HV</b><br>480V    |  | <b>MW</b><br>Microwave Sensor | <b>WG</b><br>Wire Guard       | <b>EB</b><br>Emergency Battery Back-up |
|                          | <b>WS410</b><br>(410W / 328W / 246W / 164W) |                      |  | <b>PIR</b><br>Motion Sensor   |                               |  |

Enter configuration: \_\_\_\_\_

Dimensions and values shown are nominal. LuminosoLED continually works to improve products and reserves the right to make changes which may alter the performance or appearance of products.

# ELHB4 Linear High Bay

Wattage & Dual CCT Selectable



## PERFORMANCE DATA

| ELHB4 205W |         |               |          |               |          |
|------------|---------|---------------|----------|---------------|----------|
| SETTING    | WATTAGE | 4000K (80CRI) |          | 5000K (80CRI) |          |
|            |         | LUMENS        | LPW      | LUMENS        | LPW      |
| 100%       | 205W    | 30,500lm      | 149 lm/W | 30,500lm      | 149 lm/W |
| 80%        | 164W    | 25,000lm      | 152 lm/W | 25,000lm      | 152 lm/W |
| 60%        | 123W    | 19,500lm      | 159 lm/W | 19,500lm      | 159 lm/W |
| 40%        | 82W     | 14,000lm      | 171 lm/W | 14,000lm      | 171 lm/W |

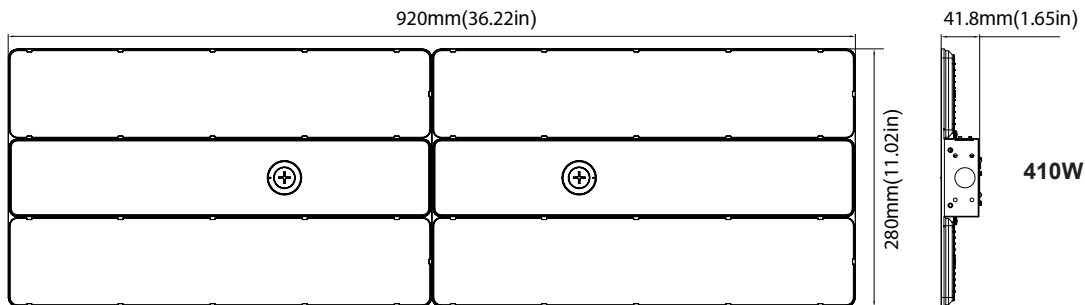
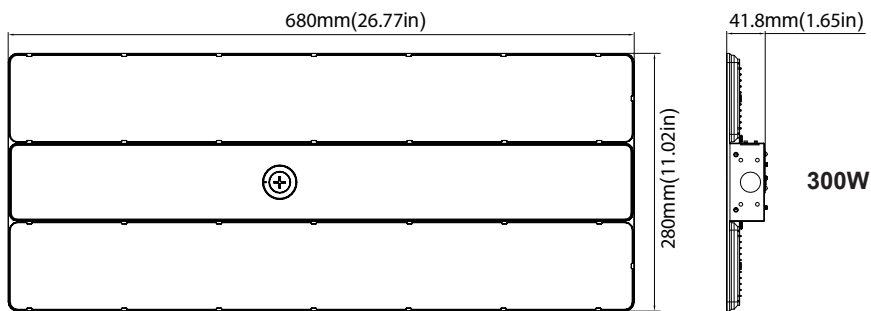
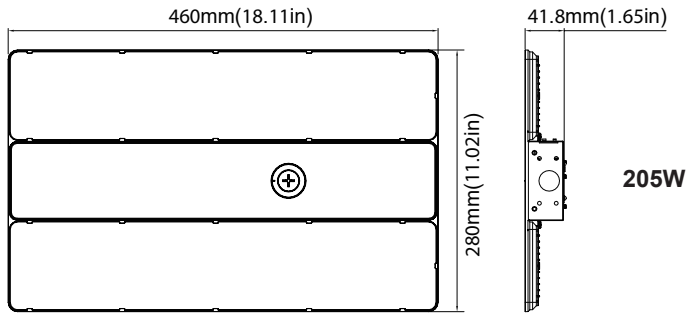
| ELHB4 300W |         |               |          |               |          |
|------------|---------|---------------|----------|---------------|----------|
| SETTING    | WATTAGE | 4000K (80CRI) |          | 5000K (80CRI) |          |
|            |         | LUMENS        | LPW      | LUMENS        | LPW      |
| 100%       | 300W    | 42,000lm      | 140 lm/W | 42,000lm      | 140 lm/W |
| 80%        | 240W    | 36,000lm      | 150 lm/W | 36,000lm      | 150 lm/W |
| 60%        | 180W    | 28,000lm      | 156 lm/W | 28,000lm      | 156 lm/W |
| 40%        | 120W    | 20,000lm      | 167 lm/W | 20,000lm      | 167 lm/W |

| ELHB4 410W |         |               |          |               |          |
|------------|---------|---------------|----------|---------------|----------|
| SETTING    | WATTAGE | 4000K (80CRI) |          | 5000K (80CRI) |          |
|            |         | LUMENS        | LPW      | LUMENS        | LPW      |
| 100%       | 410W    | 60,600lm      | 148 lm/W | 60,600lm      | 148 lm/W |
| 80%        | 328W    | 50,000lm      | 152 lm/W | 50,000lm      | 152 lm/W |
| 60%        | 246W    | 38,400lm      | 156 lm/W | 38,400lm      | 156 lm/W |
| 40%        | 164W    | 28,000lm      | 171 lm/W | 28,000lm      | 171 lm/W |

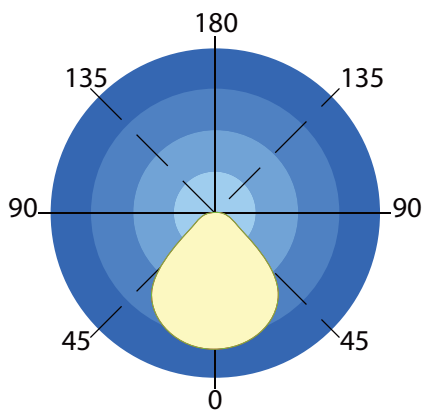
# ELHB4 Linear High Bay

Wattage & Dual CCT Selectable

## DIMENSIONS






## PHOTOMETRICS



Prismatic Diffuser

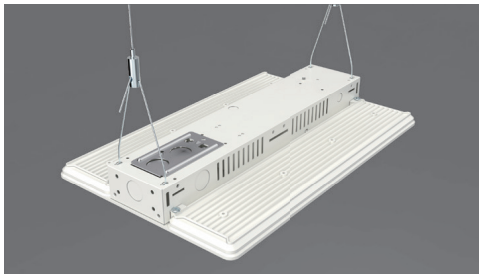
**ACCESSORIES / Emergency Battery**

|  |   |  |
|--|---|--|
|      |              |       |
| <b>Emergency Battery</b><br>8W 900lm 90min<br>Suitable for 130W<br>(Sold separately) | <b>Emergency Battery</b><br>25W 3500lm 90min<br>Suitable for 250W & 410W<br>(Sold separately) | <b>Emergency Battery</b><br>30W 4000lm 90min<br>Suitable for 480V<br>(Sold separately) |

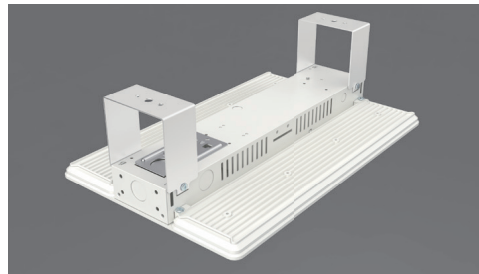
**ACCESSORIES**

|  |   |   |   |
|--|---|---|---|
|                     |                    |  |  |
| <b>Plug-and-Play PIR Sensor</b><br>12-24VDC<br><br>PIR sensor: MSANT12VPH01<br><br>(Sold separately) | <b>Plug-and-Play Microwave</b><br>12-24VDC<br><br>PIR sensor: MSANT12VMH01<br><br>(Sold separately) | <b>Steel Wire Cable</b>   | <b>Wire Guard</b><br>(Sold separately)  |

**MOUNTING**



Steel Wire



Surface Mount



Conduit Pendant Mount