

DESCRIPTION

The Amber LED Fixture is engineered for versatile outdoor applications, offering multiple mounting configurations including post top, pole mount, surface mount, wall mount, and pendant options. Emitting a 590nm amber wavelength, it is ideal for environmentally sensitive areas while providing effective nighttime illumination. Constructed with a durable, weather-resistant housing, this fixture is designed to withstand harsh outdoor conditions while delivering reliable, energy-efficient performance across a wide range of architectural and site lighting applications.

Project:	Date
Type:	
Model:	

SPECIFICATIONS

Construction:

- Rugged die-cast aluminum construction delivers long-lasting durability and dependable performance in even the most demanding environments.

Optics:

- Turtle and wildlife-friendly 590nm amber light.
- Type II, Type III, Type IV and Type V.
- External Half Glare shield is available.

Electrical:

- Standard with 0-10V dimming driver(s) from 1% to 100%.
- 120-277VAC / 50/60Hz.
- THD: ≤20%
- Designed to withstand surges of up to L/N-PE:10kV
- 3.3ft (39.4") long power cord provided for easier installation.

Controls:

- Photocell and Motion Sensor optional.

Ambient Temperature:

- Ambient operating temperature -40°F to 113°F.

Lifespan:

- Estimated 50,000-hour LED lifespan based
- on IES LM-80 results and TM-21 calculations



ORDER INFORMATION

EXAMPLE: YTVL-WM-63W-Y-AMB-3M-HGS-BK



Series	Mounting	Wattage	Voltage	LED Color	Optics	Photocell	Sensor options	Back-light Shield	Emergency Battery Back-up	Finish
YTVL LED Versatile Luminaire	PT Post Top	63W 63 Watts	Y 120-277V	AMB Amber 590nm	2M	Blank No photocell	Blank No sensor	Blank No shield	Blank No EB	BK** Black
	DA** Direct Mount Arm*				3M	PC with photocell	MS Motion Sensor	HGS Half Glare Shield		
	SM** Surface Mount				4M	MSB Motion Sensor w/ Bluetooth	EB Emergency Battery Back-up	BZ Bronze		
	WM** Wall Mount				5M					
	PD** 3/4" NPS Pendant Mount									

Enter configuration:

* Post Top standard / Pole mount brackets works for Round or Square Poles.

** Contact factory for lead-time

Dimensions and values shown are nominal. LuminosoLED continually works to improve products and reserves the right to make changes which may alter the performance or appearance of products.

YTVL Turtle Friendly Luminaire

LED Versatile luminaire with multiple mounting options —
Post Top, Pole, Ceiling, Wall, and Pendant with Turtle Friendly Amber










PERFORMANCE DATA

Model	Wattage	Lumens	Efficacy	LED Color	Power Factor	Frequency	Voltage
YTVL	63W	1,800	28	Amber 590nm	>0.9	50/60Hz	120-277V

ELECTRICAL DATA

Model Series	Wattage(W)	Current (A)					Input Voltage (V)				
		120	200	240	277	347					
YTVL	63	0.58	0.35	0.29	0.25	0.2					

EPA *Data: Luminaire & integral mounting arm (0°tilt). Other tenons, arms, brackets or other accessories are not included.

Model	EPA(ft²)						
	Pole Mount Arm for Round or Square Poles						Post Top Mount
	Single	2@90	2@18 03	@903	@120	4@90	Single
							
YTVL	3.51	3.93	4.23	4.28	4.24	4.28	4.45

YTVL Turtle Friendly Luminaire

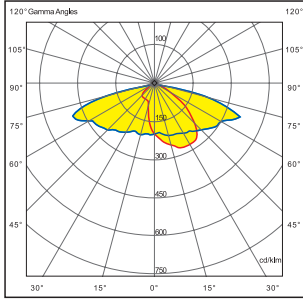
LED Versatile luminaire with multiple mounting options —
Post Top, Pole, Ceiling, Wall, and Pendant with Turtle Friendly Amber



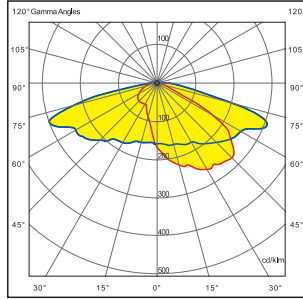
PHOTOMETRICS

Luminoso LED provides a comprehensive range of optical systems, catering to diverse site lighting needs. Offering exceptional flexibility, these systems enable precise customization of light distribution patterns to perfectly align with specific site requirements.

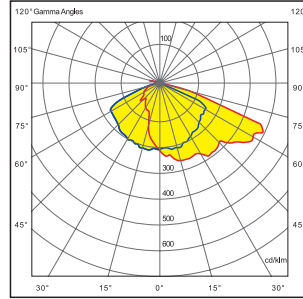
Type 2



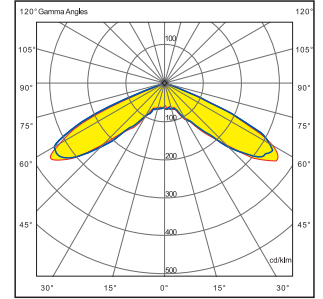
Type 3



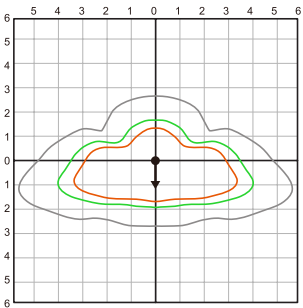
Type 4



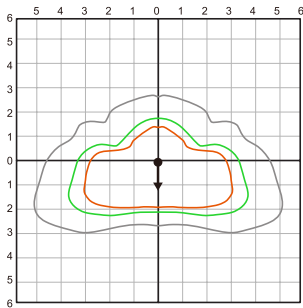
Type 5 (Standard)



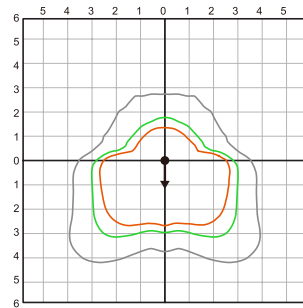
Isoillumiance



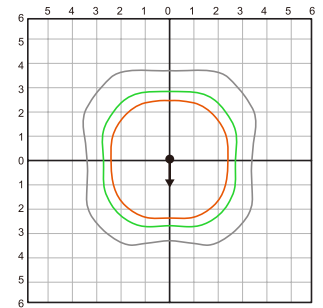
Isoillumiance



Isoillumiance



Isoillumiance



■ 0.1 Fc ■ 0.5 Fc ■ 1 Fc
Isofootcandle plots for the 125W.
Distances are in units of mounting height(15ft)

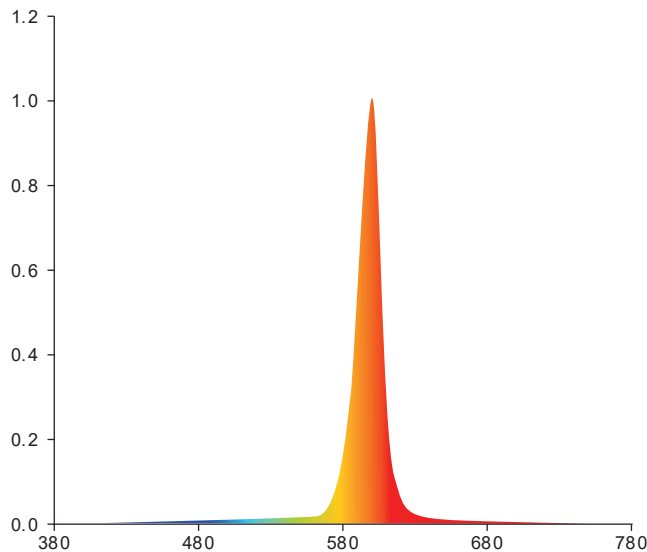
■ 0.1 Fc ■ 0.5 Fc ■ 1 Fc
Isofootcandle plots for the 125W.
Distances are in units of mounting height(15ft)

■ 0.1 Fc ■ 0.5 Fc ■ 1 Fc
Isofootcandle plots for the 125W.
Distances are in units of mounting height(15ft)

■ 0.1 Fc ■ 0.5 Fc ■ 1 Fc
Isofootcandle plots for the 125W.
Distances are in units of mounting height(15ft)

SPECTRAL CHART

Relative Spectrum



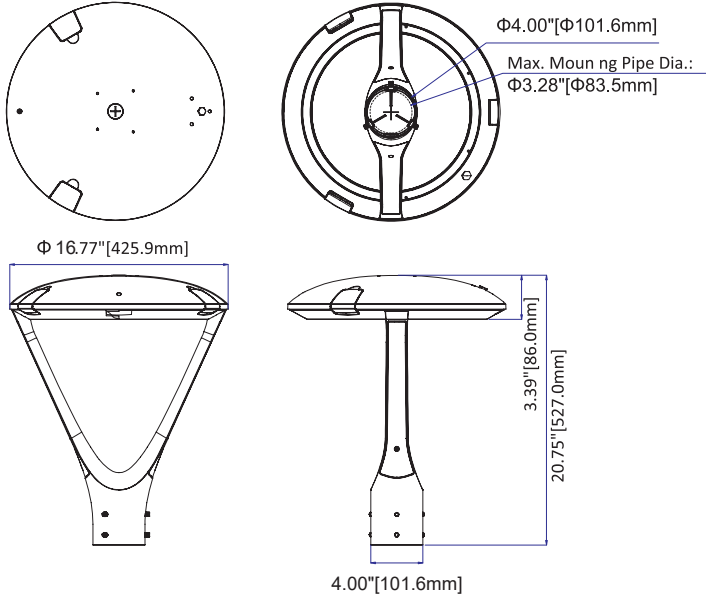
Wavelength(nm)

YTVL Turtle Friendly Luminaire

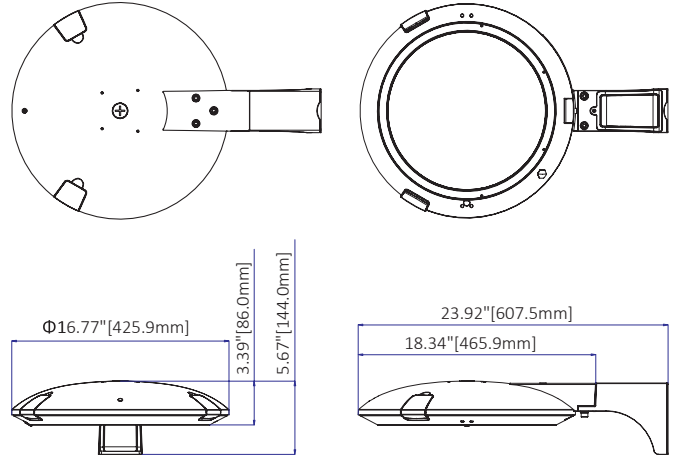
LED Versatile luminaire with multiple mounting options —
Post Top, Pole, Ceiling, Wall, and Pendant with Turtle Friendly Amber

DIMENSIONS & WEIGHT

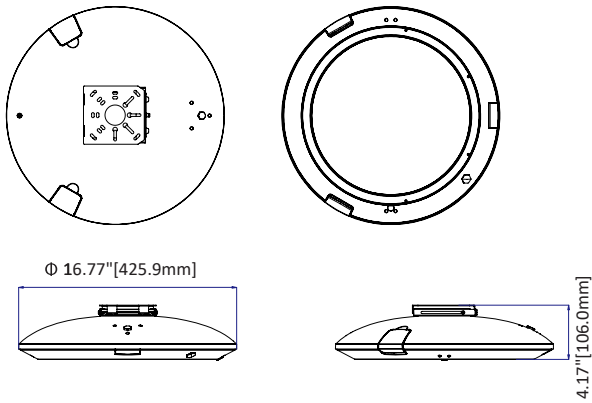
Post Top Mount



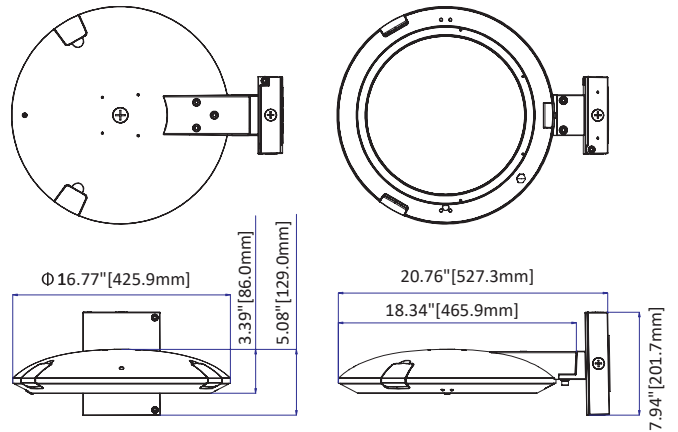
Pole Mount Arm for Round or Square Poles



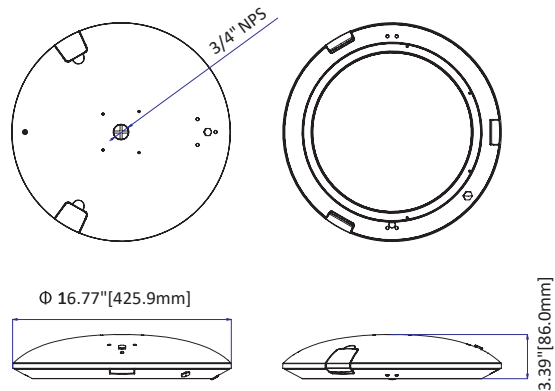
Surface Mount



Wall Mount



Pendant Mount (3/4" NPS Conduit not included)



YTVL Turtle Friendly Luminaire

LED Versatile luminaire with multiple mounting options —
Post Top, Pole, Ceiling, Wall, and Pendant with Turtle Friendly Amber



MOUNTS & BRACKET OPTIONS

May be packaged separately (Sold separately)

<p>PT Post Top Mount</p>	<p>PT Post Top Mount</p>	<p>SM Surface Mount</p>	<p>SM Surface Mount</p>
<p>DA Direct Arm Mount Square & Round Pole Mount</p>	<p>DA Direct Arm Mount Square & Round Pole Mount</p>	<p>DA Direct Arm Mount Square & Round Pole Mount</p>	<p>DA Direct Arm Mount Square & Round Pole Mount</p>
<p>WM Wall Mount</p>	<p>WM Wall Mount</p>	<p>WM Wall Mount</p>	<p>WM Wall Mount</p>

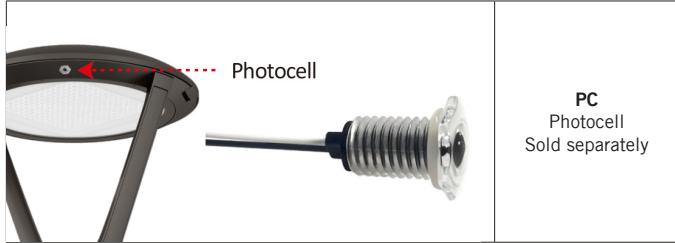
YTVL Turtle Friendly Luminaire

LED Versatile luminaire with multiple mounting options —
Post Top, Pole, Ceiling, Wall, and Pendant with Turtle Friendly Amber

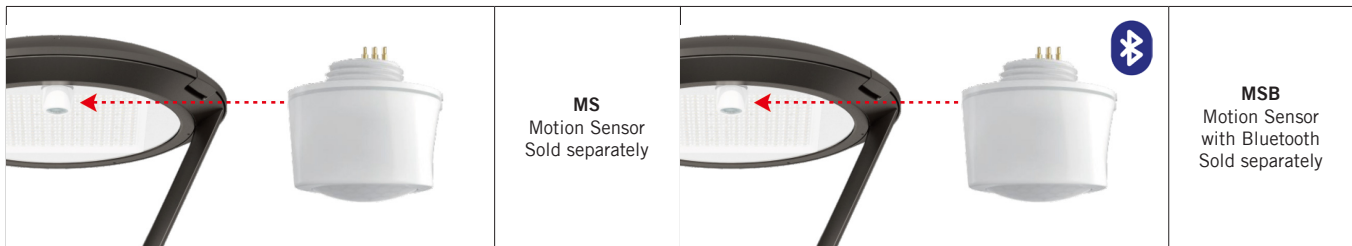


ACCESSORIES

Control Options (purchase separately)



Sensor Options (purchase separately)



Sensor Options (purchase separately)



Emergency Battery Back-up (Optional)



ACCESSORIES (Glare Control Shield)

Field-installable / Field-Use ONLY (purchase separately)

