

PRODUCT DESCRIPTION

Introducing the Luminoso LHB 130W: a cutting-edge addition to the realm of LED high bay and Vapor Tight lighting. With its sleek, linear design, this product redefines aesthetics in lighting solutions. Its low profile design seamlessly replaces T8 and T5 fixtures, while its wide distribution angle caters to diverse lighting needs in spaces like gymnasiums, warehouses, garages, manufacturing, and service areas. Boasting an exceptional lifespan of over 50,000 hours and wattage reductions exceeding 75% compared to traditional counterparts, the LHB series stands as a true revolution in lighting technology.

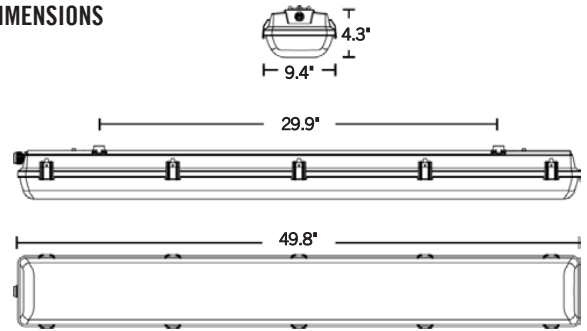
SPECIFICATION

Efficacy: 128 Lm/W
Delivered Light Output: 16,681 Lumens
CCT: 3000K, 4000K & 5000K
Wattage: 130W
CRI: Ra>90
Input Voltage: 120-277 VAC
Input current: 0.4 -0.17A
THD: <20% (120V)
Power Factor >0.95 (120V)
Frequency: 50/60Hz
Standard Warranty: 5 Years
Standard Lifetime: Designed to L70 minimum 50,000 hours
Dimming: 0-10V dimming (10%-100%)
IP Rating: IP65
Operating temp: -40°F to 113°F

Project:	Date
Type:	
Model:	



DIMENSIONS



ORDER INFORMATION

EXAMPLE: LHB-14-130W-50K-J-Y-FR



Series	Mount	Wattage	CCT	Optics	Voltage	Lens	Sensor Options	Accessories
LHB-130W High Bay / Vapor Tight	14 Direct Mount	130 130 watts	30K** 3000K	J 120°	Y Y = 120-277V	FR Frosted	Blank = None	Blank = None
			40K 4000K				HFD** = High Frequency Doppler	3HK** = 3 Meter Hanging Kit
			50K 5000K					5HK** = 5 Meter Hanging Kit

Enter configuration:

**6-8 Weeks lead time

Dimensions and values shown are nominal. LuminosoLED continually works to improve products and reserves the right to make changes which may alter the performance or appearance of products.

PERFORMANCE DATA

Model	Voltage	Wattage	Color Temperature	CRI	Lumens	Life Span	Beam	Driver	Efficacy
LHB-130W	120-277V	130W	3000K / 4000K / 5000K	>90	16,681	50,000 hrs	120°	MEAN WELL IP67	128lm/W

PHOTOMETRIC

