

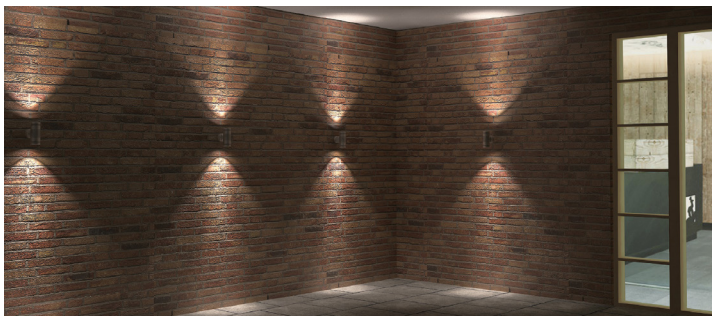
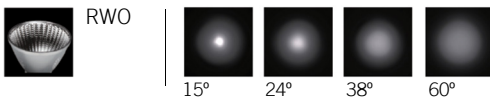
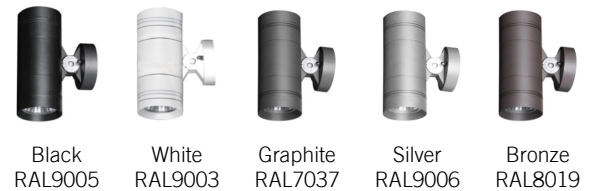
Project: _____
 Type: _____
 Model: _____

Features:

- HOUSING MATERIALS** | Extruded aluminum alloy, Die-casting, Powder coating, T=60~80 um./Adhesion of ISO class, 1.ASTM class 4B
- FINISH** | Black / White / Graphite / Silver / Bronze
- REFLECTOR** | Optical reflector. efficiency >85%
- LED** | NICHIA
- OPERATING TEMPERATURE** | -4°F to 104°F
- POWER CABLE** | H05RN-F 3X1.0mm² L=0.3m (High voltage)
- IP Rating** | IP65 Rated



RWO

OPTICS

FINISH OPTIONS


Black RAL9005 White RAL9003 Graphite RAL7037 Silver RAL9006 Bronze RAL8019


Example: RWO-4L30K-D24-U24-Z-BK

Series	Lumens (CCT)			Down Beam				Up Beam				Voltage	Finish
	4L30K	4L40K	4L50K	D15	D24	D38	D60	U15	U24	U38	U60		
RWO 2x10 Watts	4L (3000K) 423x2 Lumens	4L (4000K) 448x2 Lumens	4L (5000K) 466x2 Lumens	15°	24°	38°	60°	15°	24°	38°	60°	Z Z = 120 Volts	BK Black WH White GR Graphite SV Silver BZ Bronze
Lumens based off 24° Beam angle													

Enter configuration: _____

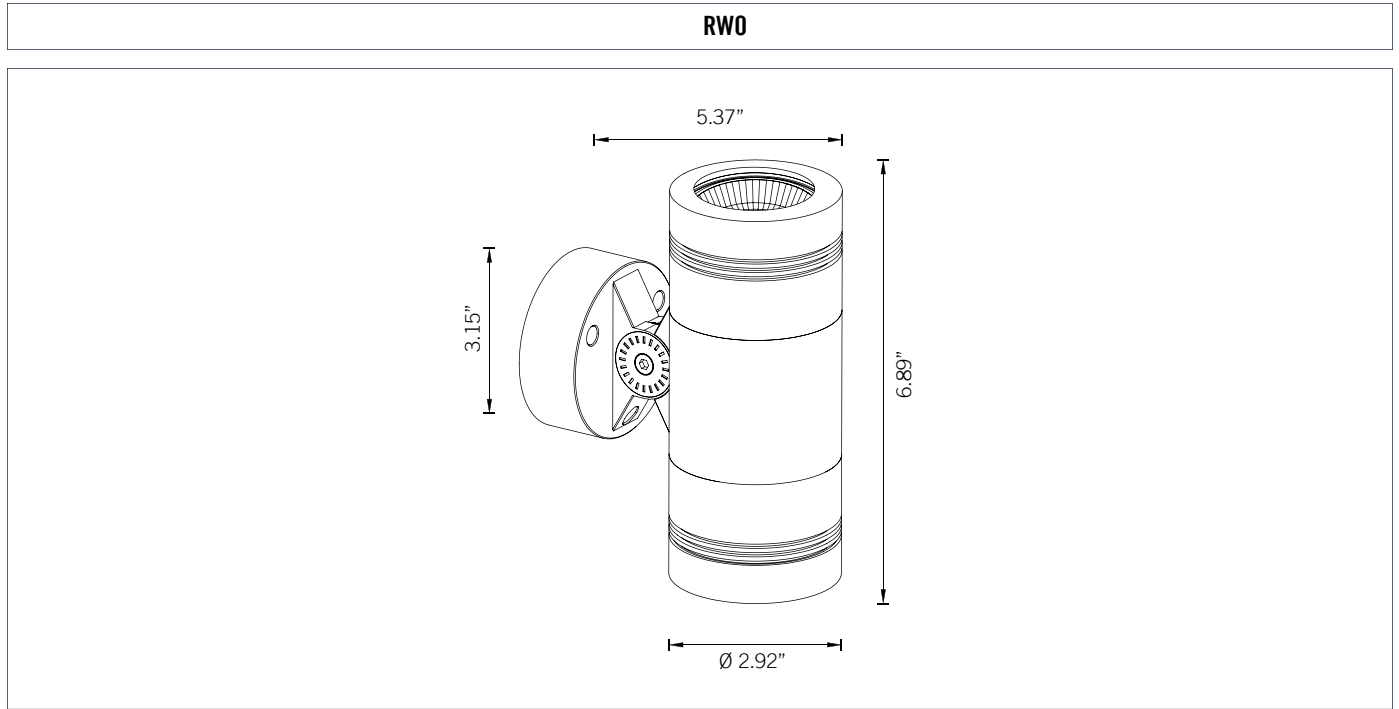
** Special Order

Dimensions and values shown are nominal. LuminosoLED continually works to improve products and reserves the right to make changes which may alter the performance or appearance of products.

PERFORMANCE DATA

Series	RWO
Power	10Wx2
Lumens	423 ⁺² (30K) 448 ⁺² (40K) 466 ⁺² (50K)
IP Rating	IP65
Operating Temp.	-4°F to 104°F
Input	120V

DIMENSIONS



PHOTOMETRIC CURVES

