

4" Square Panel / Selectable CCT

Project: _____
 Type: _____
 Model: _____

DESCRIPTION

Our 4 inch LED square panel feature a selectable color temperature switch to accomodate nearly any application. Our low profile design make it easy for mounting in confined ceilings or narrow spaces. Rated for IC and damp locations, this easy-to-install fixture does not require a separate housing as it can be mounted directly into the ceiling.

PRODUCT SPECIFICATIONS

- White painted Die-cast body is appropriate for heat dissipation.
- 2 Spring clips per-installed on unit for easy installation.
- One light J-Box.

LED LIGHT ENGINE

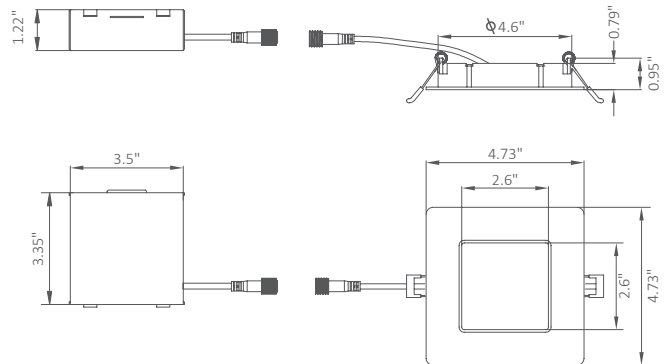
- Dimming down to 10% with CL (TRIAC based) dimmer.
- CCT SELECTABLE: 2700K, 3000K, 3500K, 4000K, and 5000K
- CRI 90
- Long life LED chips guaranteed up to 50,000hours.

LISTINGS

- ETL Listed
- Damp locations
- RoHS compliances
- Tested in accordance with IESNA LM79 & LM80



DIMENSIONS



ORDER INFORMATION

EXAMPLE: TWSP4-10-Z-CT-W



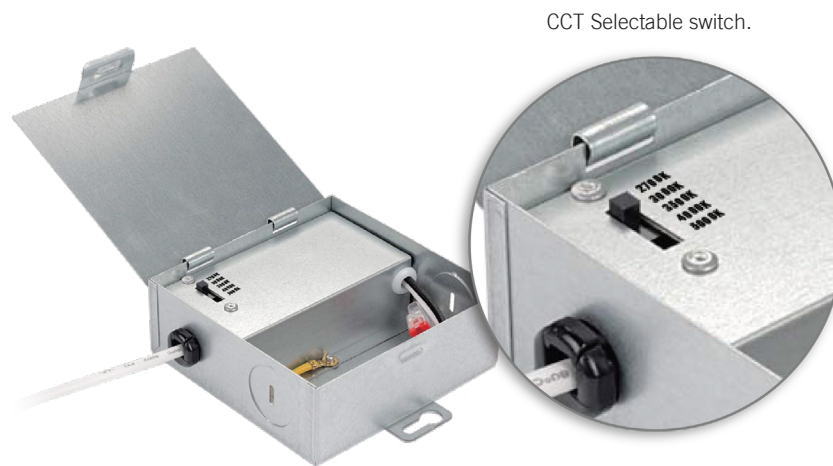
Series	Wattage	Voltage	CCT	Finish
TWSP4	10W	Z = 120V	CT = (Color Temp. Selectable) 27K - 30K - 35K - 40K - 50K	W = White

Enter configuration: _____

PERFORMANCE DATA

WATTS	VOLTAGE	CRI	LUMENS
10W	120VAC	90	810 - 890

COLOR SELECTABLE



4" 10W Dimmer Compatibility

Number	Dimmer Brand Model	Power	Max. output current(=mA)	Min. output current(=mA)	Max. dimming ratio	Min. dimming ratio
1	LEVITON 6674	10W	200	14	91%	6%
2	LUTRON DVCL-153P		205	20	93%	9%
3	LUTRON CTCL-153P		210	14	95%	6%
4	LUTRON MACL-153M		207	16	94%	7%
5	ELECTR/V/ART 40201		220	30	100%	14%
6	LUTRON SCL-153P		208	5	95%	2%
7	LEVITON 6633-P		208	1	95%	0%
8	LEVITON 6613		217	9	99%	4%
9	LEVITON 66EV		217	55	99%	25%
10	LEVITON DDE06		204	9	93%	4%
11	LUTRON SELV-303P		207	19	94%	9%
12	LUTRON DVSCELV-300P		206	18	94%	8%