

Project		Date
Type		
Model		

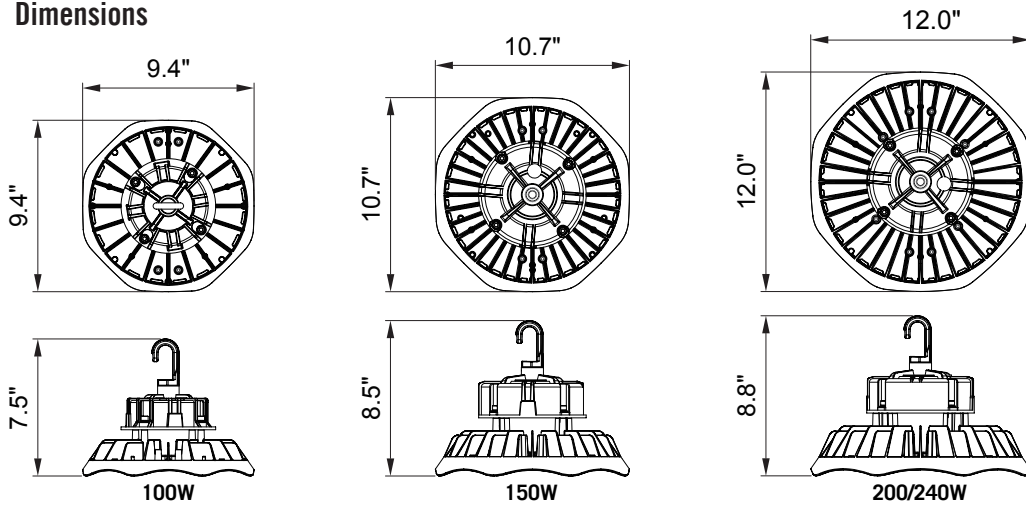
THB Series High Bay

Features:

- Efficacy higher than 150lm/W.
- Die-cast aluminum housing, and polycarbonate diffuser.
- 120-277 / 247-480VAC .
- Hook ring for different applications.
- Optional motion sensor can be offered for maximizing energy savings.
- 80 CRI
- IP65 Rated / IK08 Rated
- Operating temperature is -40°F to 113°F.
- Power Factor: >0.9
- 50,000 hour life span
- 0-10V dimming



Dimensions



ORDER INFORMATION

EXAMPLE: THB-200W-Y-110D-50K-BK-MS

150+
EFFICACY



Series	Wattage	Voltage	Beam	CCT	Finish	Motion Sensor
THB	100W	Y = 120-277V	110D = 110°	4000K	BK = Black	Blank Standard MS = Motion Sensor
	150W			5000K		
	200W	HV = 347-480V				
	240W					

Enter configuration: _____

** Special Order

PERFORMANCE DATA

WATTS	VOLTAGE	CRI	4000K		5000K	
			LUMENS	EFFICACY	LUMENS	EFFICACY
100W	120-277/347-480VAC	80	15,000	150lm/W	15,500	155lm/W
150W	120-277/347-480VAC	80	23,520	157lm/W	23,890	159lm/W
200W	120-277/347-480VAC	80	32,770	164lm/W	32,900	164lm/W
240W	120-277/347-480VAC	80	37,435	156lm/W	37,700	154lm/W

PHOTOMETRIC

