

RSO / RSP

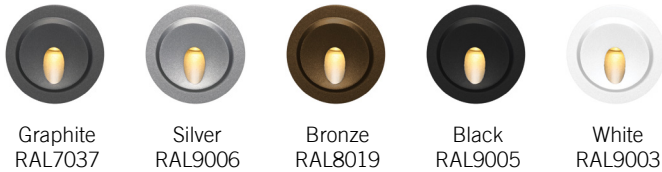
LED Stair Light & Wall Light - Round & Square

Project: _____
 Type: _____
 Model: _____

Features:

- HOUSING MATERIALS** | Die-casting dark grey powder coated aluminum. T=60-80 um. Adhesion of ISO class, 1.ASTM class 4B
- FRONT COVER** | Die-cast aluminum, powder coated.
- LED** | SMD3030
- DIMMABLE** | Yes*
- J-BOX** | ABS
- WATER-TIGHT CABLE GLAND** | IP67
- OPERATING TEMPERATURE** | -4°F to 113°F
- POWER CABLE** | H05RN-F 2X1.0mm² L=0.5m (24 Volts)
- FIXTURE IP/ IK Rating** | IP65 Rated / IK10

FINISH OPTIONS



Graphite RAL7037 Silver RAL9006 Bronze RAL8019 Black RAL9005 White RAL9003



Example: RSO-0L30K-X-BK



Series	Lumens (CCT)			Voltage	Finish
RSO 2.6 Watts	0L20K 0L (3000K) 62 Lumens	0L30K 0L (4000K) 66 Lumens	0L40K 0L (5000K) 75 Lumens	X X = 24 Volts	BK Black WH White GR Graphite
RSP 2.6 Watts	0L20K 0L (3000K) 62 Lumens	0L30K 0L (4000K) 66 Lumens	0L40K 0L (5000K) 75 Lumens	Requires remote 24V transformer. For dimming, refer to specs of transformer you are using.*	SV Silver BZ Bronze

Enter configuration: _____

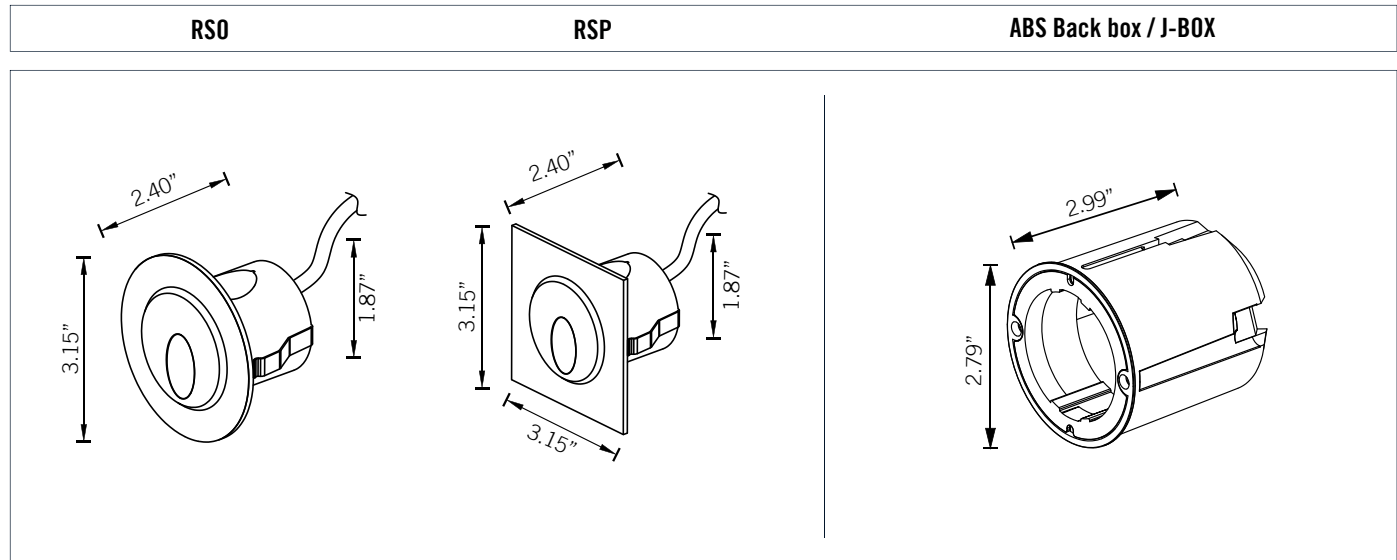
** Special Order

Dimensions and values shown are nominal. LuminosoLED continually works to improve products and reserves the right to make changes which may alter the performance or appearance of products.

PERFORMANCE DATA

Series	RSO	RSP
Power	2.6W	2.6W
Lumens	62 (20K) 66 (30K) 75 (40K)	62 (20K) 66 (30K) 75 (40K)
IP Rating	IP65	IP65
Operating Temp.	-4°F to 113°F	-4°F to 113°F
Input	24V	24V

DIMENSIONS



PHOTOMETRIC CURVES

