

Project:	Date
Type:	
Model:	

PRODUCT DESCRIPTION

The Luminoso JFPTS true surface panels are commercial luminaires that utilizes advanced driver technology to provide an all in one luminaire. providing 3 wattages and 3 CCT options in each size panel. This provides superior lighting performance while minimizing inventory by reducing the amount of stocking SKUs. They achieve high uniformity, DLC energy efficiency and reduced glare in typical T-bar grid ceiling applications.

SPECIFICATIONS

Construction

- Aluminum frame in white finish, steel die-formed back enclosure.

Mounting

- Surface mounted, recessed or suspended

Optics

- Equipped with high grade PMMA diffuser, will not yellow over time.
- 120° Beam angle

Electrical

- Voltage 120-277V.
- Power Factor: >0.9
- Working Current: 0.5A
- 1-10VDC Dimming (Dims to 10%)
- Efficacy from 110 - 114lm/W.
- Lifespan: 50,000 hours

Certifications

- UL Listed for Damp Locations
- IC Rated for insulated ceilings
- RoHS, FCC
- DLC
- 4°F to 113°F

Warranty

- 5 Years



ORDER INFORMATION

EXAMPLE: JFPTS24-27-WS-CCTS-EB-Y



Series	Mounting	Wattage	CCT	Emergency Battery Backup	Voltage
JFPTS22 2x2 Panel	27 Surface, lay-in	WT Selectable Wattage	CT Color Temperature Selectable (3500K / 4000K / 5000K)	(Blank) w/o Battery Backup	Y 120-277V
JFPTS24 2x4 Panel				EB Emergency Battery Backup (90 minutes of illumination when AC power is removed)	
JSPTS14 1x4 Panel					

Enter configuration: _____

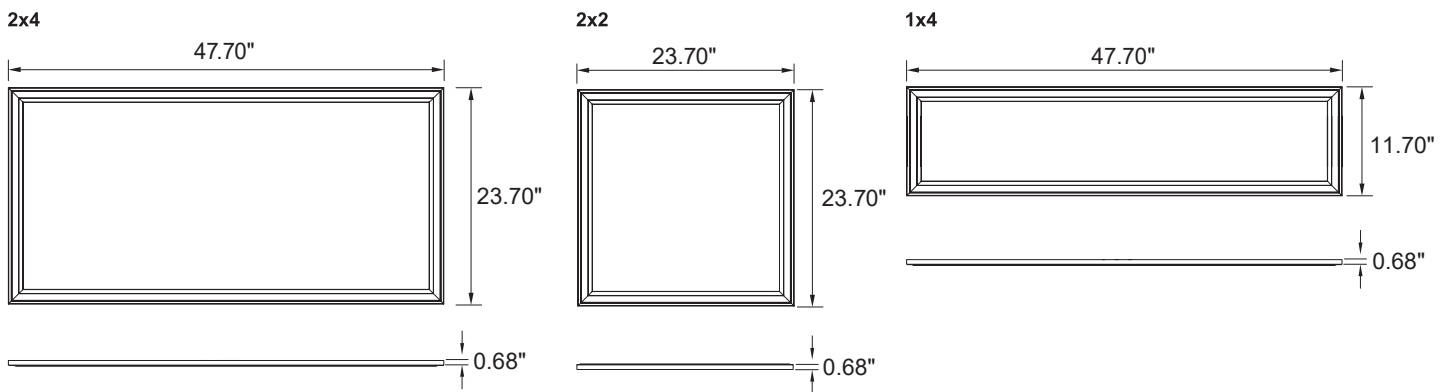
** Special Order

Dimensions and values shown are nominal. LuminosoLED continually works to improve products and reserves the right to make changes which may alter the performance or appearance of products.

PERFORMANCE DATA

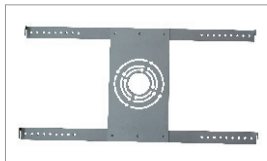
Model	Dimension	Wattage Adjustable	Lumen Output			Efficacy	CCT Adjustable
			High	Medium	Low		
JFPTS22	2'x2'	40W/33W/25W	4400lm	3630lm	2750lm	Up to 110lm/w	3000K/4000K/5000K
JSPTS14	1'x4'	40W/33W/25W	4400lm	3630lm	2750lm	Up to 110lm/w	3000K/4000K/5000K
JFPTS24	2'x4'	50W/40W/30W	5500lm	4400lm	3300lm	Up to 110lm/w	3000K/4000K/5000K

DIMENSIONS



INSTALLATION

● Standard -Surface



3" Octagon:
2-1/8" Deep



4" Octagon:
2-1/8" Deep



4" Round:
2-1/8" Deep

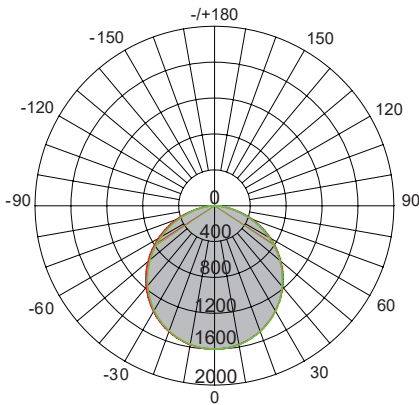


4" Square:
2-1/8" Deep

● Optional - Suspended



PHOTOMETRICS DATA



Test Number: FS22-DM-35T UNIT: cd
 Lumens: 4570.39 Lm — C0/180,113.6°
 Watts: 40 W — C90/270,111.9°
 LPW: 113.45 Lm/W
 CCT: 3500K

Zona I Flux Diagram

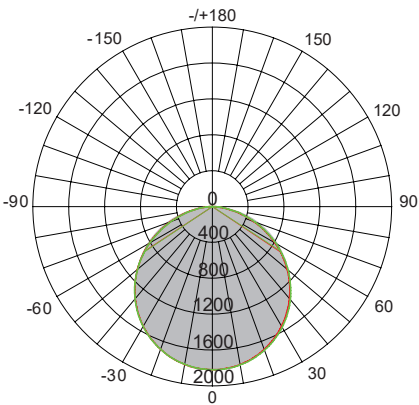
T	C0	C45	C90	C135	C180
10	1570	1571	1572	1572	1572
20	1489	1490	1490	1492	1492
30	1356	1358	1356	1361	1362
40	1181	1180	1172	1183	1186
50	964.2	960.4	951.7	963.6	969.4
60	714.1	707.3	699.5	711.2	719.6
70	439.6	433.4	426.6	437.1	445.5
80	170.8	168.9	164.3	172.1	176.7
90	1.247	1.298	1.195	1.402	0.8306
100	1.243	1.246	1.141	1.351	0.9367
110	2.334	2.077	1.819	2.026	1.713
120	2.855	2.545	2.235	2.597	2.284
130	3.271	2.648	3.327	2.597	2.337
140	3.271	1.870	3.378	1.924	2.442
150	2.959	1.299	2.807	1.299	2.909
160	2.336	1.299	2.807	1.350	3.272
170	3.271	1.818	3.119	2.129	3.480
180	3.323	2.026	3.742	2.441	3.272
DEG	LUMINOUS INTENSITY:cd				

Zona I Lumens

T	φ total
0-10	151.2
10-20	584.8
20-30	1243
30-40	2039
40-50	2865
50-60	3611
60-70	4174
70-80	4485
80-90	4557
90-100	4558
100-110	4560
110-120	4562
120-130	4564
130-140	4566
140-150	4568
150-160	4569
160-170	4570
170-180	4570
	UNIT: lm

Luminance cd/(m2)

G(DEG)	C0/180	C90/270
85	6913	6899
80	9835	9454
75	11668	11239
70	12851	12466
65	13700	13340
60	14279	13982
55	14687	14438
50	14998	14798
45	15229	15072



Test Number: FS24-DH-35T UNIT: cd
 Lumens: 5126.79 Lm — C0/180,113.0°
 Watts: 50 W — C90/270,113.3°
 LPW: 106.80 Lm/W
 CCT: 3500K

Zonal Flux Diagram

T	C0	C45	C90	C135	C180
10	1788	1795	1792	1789	1787
20	1694	1706	1703	1696	1692
30	1542	1557	1556	1547	1541
40	1339	1355	1353	1346	1339
50	1090	1104	1104	1098	1092
60	804.0	815.3	817.0	812.5	809.2
70	494.4	503.2	506.9	503.8	500.7
80	193.4	203.9	209.7	207.1	203.7
90	1.005	1.356	1.810	1.450	0.8329
100	0.7091	1.207	1.708	1.192	0.7828
110	1.199	1.721	1.863	1.711	1.216
120	1.719	1.935	1.035	1.870	1.594
130	1.721	1.669	0.9820	1.740	1.774
140	1.722	0.9395	0.9821	1.141	2.079
150	1.670	1.194	0.9822	0.9327	2.153
160	1.541	1.321	1.109	0.9329	2.205
170	2.050	1.430	1.559	1.399	2.468
180	2.242	1.565	1.758	1.292	2.294
DEG	LUMINOUS INTENSITY:cd				

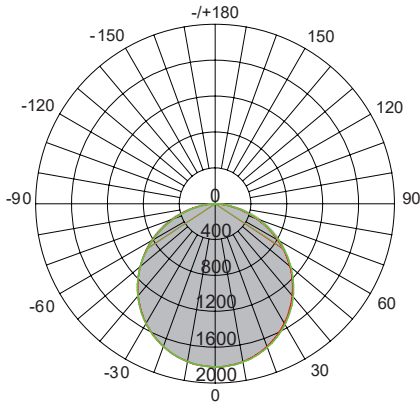
Zonal Lumens

T	φ total
0-10	172.1
10-20	665.9
20-30	1416
30-40	2324
40-50	3268
50-60	4121
60-70	4769
70-80	5135
80-90	5227
90-100	5229
100-110	5230
110-120	5232
120-130	5233
130-140	5235
140-150	5236
150-160	5236
160-170	5237
170-180	5237
	UNIT: lm

Luminance cd/(m2)

G(DEG)	C0/180	C90/270
85	8132	9735
80	11139	12083
75	13106	13631
70	14458	14829
65	15410	15705
60	16083	16349
55	16585	16831
50	16969	17184
45	17249	17452

PHOTOMETRICS DATA



AVERAGE BEAM ANGLE(50%): 113.1°

Test Number: FS24-DH-35T
 Lumens: 5126.79 Lm
 Watts: 50 W
 LPW: 106.80 Lm/W
 CCT: 3500K

UNIT: cd
 - C0/180, 113.0°
 - C90/270, 113.3°

Zonal Flux Diagram

Y	C0	C45	C90	C135	C180
10	1788	1795	1792	1789	1787
20	1694	1706	1703	1696	1692
30	1542	1557	1556	1547	1541
40	1339	1355	1353	1346	1339
50	1090	1104	1104	1098	1092
60	804.0	815.3	817.0	812.5	809.2
70	494.4	503.2	506.9	503.8	500.7
80	193.4	203.9	209.7	207.1	203.7
90	1.005	1.356	1.810	1.450	0.8328
100	0.7091	1.207	1.708	1.192	0.7828
110	1.199	1.721	1.863	1.711	1.216
120	1.719	1.935	1.035	1.870	1.594
130	1.721	1.669	0.9820	1.740	1.774
140	1.722	0.9395	0.9821	1.141	2.079
150	1.670	1.194	0.9822	0.9327	2.153
160	1.541	1.321	1.109	0.9329	2.205
170	2.050	1.430	1.559	1.399	2.468
180	2.242	1.565	1.758	1.292	2.294

DEG LUMINOUS INTENSITY:cd

Zonal Lumens

Y	φ total
0-10	172.1
10-20	665.9
20-30	1416
30-40	2324
40-50	3268
50-60	4121
60-70	4769
70-80	5135
80-90	5227
90-100	5229
100-110	5230
110-120	5232
120-130	5233
130-140	5235
140-150	5236
150-160	5236
160-170	5237
170-180	5237

UNIT: lm

Luminance cd/(m2)

G(DEG)	C0/180	C90/270
85	8132	9735
80	11139	12083
75	13106	13631
70	14458	14829
65	15410	15705
60	16083	16349
55	16585	16831
50	16969	17184
45	17249	17452