

DESCRIPTION

The Luminoso ECPY2 Series presents a superb solution for retrofitting canopy lighting projects. Those choosing the ECPY2 can expect energy savings of over 60% without compromising on the necessary illumination levels. It offers a versatile range of power options, including 27W, 40W, and 60W, with lumen outputs ranging from 3,750 to 8,000 lumens, showcasing an impressive average efficacy of 130-141 lumens per watt. This series represents the hallmark of advanced technology that defines Luminoso's product offerings.

PERFORMANCE SUMMARY

- Sealed die-casting profile for indoor and outdoor applications.
- Voltage is 120-277V and 480V (40W & 60W Only)
- Lumen output from 3,750 to 8,000lm with efficacy up to 141lm/W.
- Optional Parking Garage Photometry or Low Bay Photometry as per applications.
- Replacing 100W MH and 175W MH.
- Operating temperature is -4°F to 122°F
- UL and DLC premium qualified.
- 1-10V Dimming optional**.

Project:	Date
Type:	
Model:	



EMERGENCY BATTERY BACKUP



8W, 900lm, 90min.
EB box-8W/90min



Built-in EB 5W, 90min.
(Suitable for 27W & 40W Only)

ORDER INFORMATION

EXAMPLE: ECPY2-14-60W-40K-W-Y-BZ



Series	Mount	Wattage	CCT	Voltage	1-10V Dimming	Emergency Battery Backup	Finish
ECPY2 Canopy	14 Surface Mount	27W	40K 4000K	Y 120-277V	Blank None	Blank None	BZ Bronze
		40W	50K 5000K	HV* 480V (40&60W Only)	DIM ** 1-10V Dimming	EB Emergency Battery Backup	WH White
		60W				BIE ** Built-in Emergency Battery Backup (27W & 40W ONLY)	

Enter configuration:

Special Order / Contact vendor **

Dimensions and values shown are nominal. LuminosoLED continually works to improve products and reserves the right to make changes which may alter the performance or appearance of products.

PERFORMANCE DATA

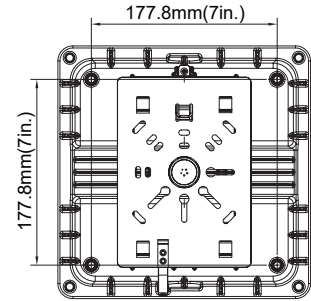
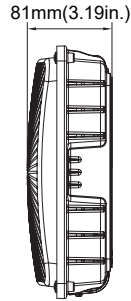
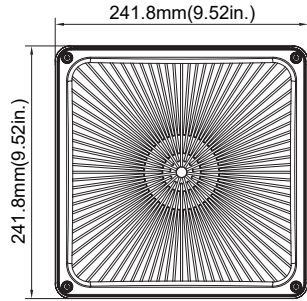
SYSTEM WATTS	PHOTOMETRY	VOLTAGE	4000K(70CRI)		5000K(70CRI)	
			LUMENS	LPW	LUMENS	LPW
27W	Parking Garage	120-277VAC	3750lm	139lm/W	3800lm	141lm/W
40W	Parking Garage	120-277VAC/347-480V	5350lm	134lm/W	5450lm	136lm/W
60W	Parking Garage	120-277VAC/347-480V	7800lm	133lm/W	8000lm	133lm/W

ELECTRICAL DATA

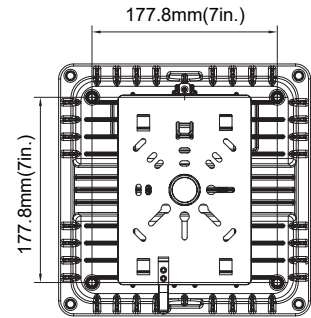
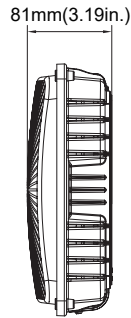
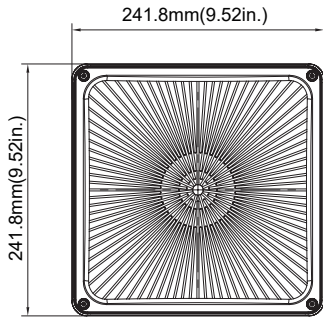
Number Of Drivers	Driver Current (mA)	Nominal Power (W)	INPUT VOLTAGE (V)	CURRENT (Amps)
1	670	27	120	0.23
		27	208	0.13
		27	240	0.11
		27	277	0.10
1	980	40	120	0.33
		40	208	0.19
		40	240	0.17
		40	277	0.14
	1020	40	347	0.12
		40	480	0.08
1	1500	60	120	0.50
		60	208	0.29
		60	240	0.25
		60	277	0.22
	1600	60	347	0.17
		60	480	0.13

DIMENSIONS

Net Weight:
27W: 3.615lbs
40W: 4.166lbs



Net Weight:
60W: 5.070lbs



PHOTOMETRY

