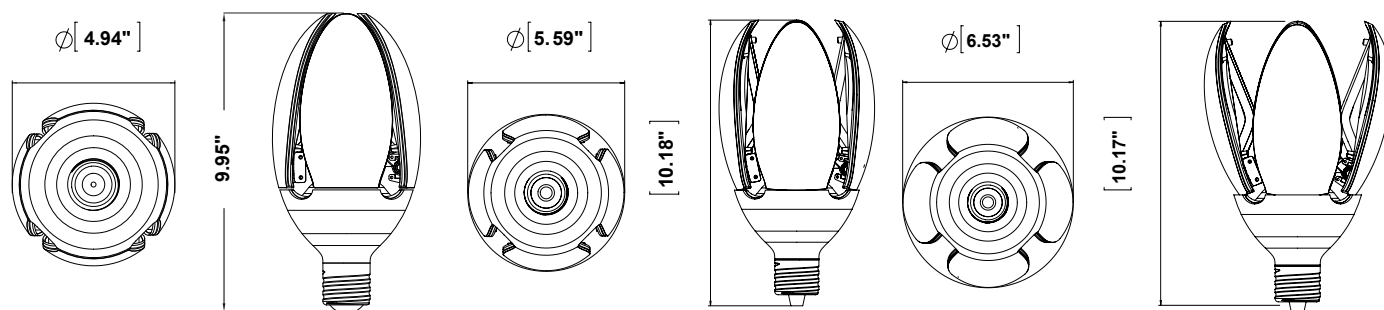


## Features

- Creative Design
- Replaces 110-250 Watts HID
- CRI (ra): >80
- Beam Angle: Adjustable
- Samsung chips, with efficacy 140 Lm/W
- Direct line Voltage, 120-277V (bypass ballast)
- 5 Year limited warranty



## Dimensions



## Performance Summary & Description



Model	Power	Lumens	CRI	Efficacy	Input Voltage	Frequency	CCT	Base	Replaces HID
DPT-36	36W	5,040 LM	>80	140Lm/w	120-277VAC	50-60Hz	3000/4000K/5000K	E26	110W
DPT-45	45W	6,300 LM	>80	140Lm/w	120-277VAC	50-60Hz	3000/4000K/5000K	E26/39	150W
DPT-54	54W	7,560 LM	>80	140Lm/w	120-277VAC	50-60Hz	3000/4000K/5000K	E39	175W
DPT-60	60W	8,400 LM	>80	140Lm/w	120-277VAC	50-60Hz	3000/4000K/5000K	E39	250W

Enter configuration:

Example: DPT-E26-60W-Y-40K-FR

