

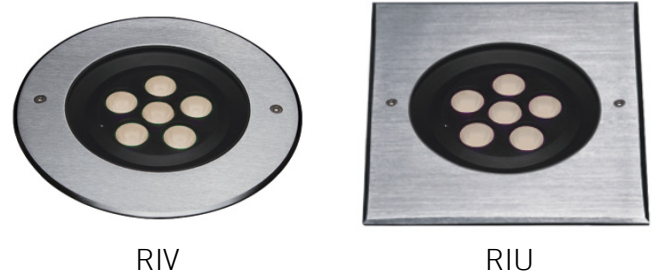
RIV / RIU

Symmetric Round LED Inground Flood Light

Project: _____
 Type: _____
 Model: _____

Features:

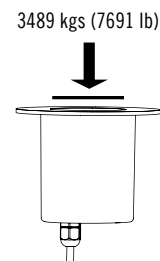
- HOUSING MATERIALS** | Die-casting dark grey powder coated aluminum
T=60~80 um./Adhesion of ISO class, 1.ATM class 4B
- FRONT COVER** | Chrome plated stainless steel SUS 316#
- GLASS LENS** | Tempered step glass. T=8mm
- DIMMABLE** | Yes*
- CONCRETE POUR KIT / SLEEVE** | ABS
- WATER-TIGHT CABLE GLAND** | IP68
- REFLECTOR** | Optical reflector 9° / 15° / 20° / 30° / 45°
- LED** | OSRAM
- OPERATING TEMPERATURE** | -4°F to 104°F
- POWER CABLE** | H05RN-F 2X1.0mm² L=0.5m (low voltage)
- FIXTURE IP/ IK Rating** | IP67 Rated / IK09



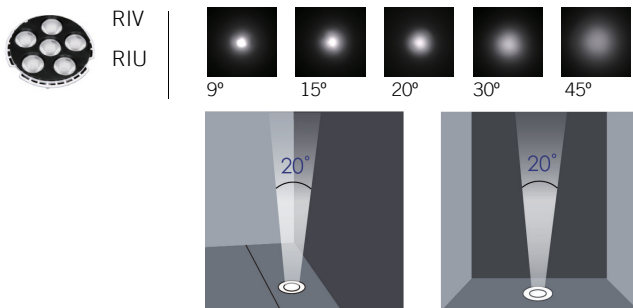
OPTIONAL LOUVER



GLASS PRESSURE CAPACITY



OPTICS



Example: RIV-3L30K-U45-X-SS

Series	Lumens (CCT)			Beam Angle					Accessory	Voltage	Finish
RIV Round Inground 20 Watts	16L20K	17L30K	18L50K	U9	U15	U20	U30	U45	Leave Blank LH013 Hexcell Louver Accessory	X 24 Volts Requires remote 24V transformer. For dimming, refer to specs of transformer you are using.*	SS Stainless Steel 316
	16L (2000K) 1,605 Lumens	17L (3000K) 1,795 Lumens	18L (5000K) 1,866 Lumens	9°	15°	20°	30°	45°			
RIU Square Inground 20 Watts											

Enter configuration: _____

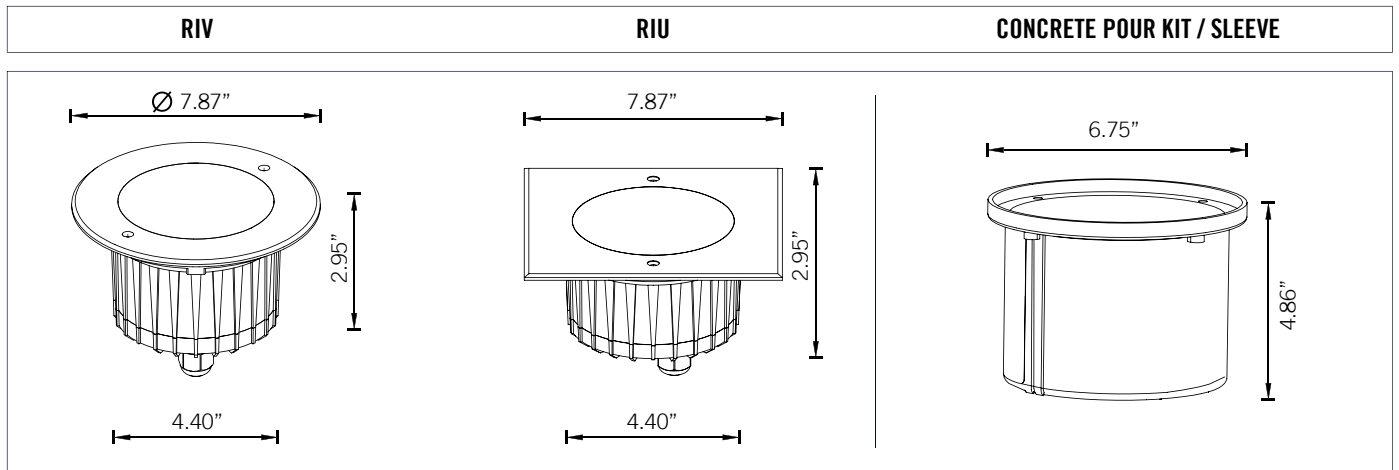
** Special Order

Dimensions and values shown are nominal. LuminosoLED continually works to improve products and reserves the right to make changes which may alter the performance or appearance of products.

PERFORMANCE DATA

Series	RIV / RIU
Power	20W
Lumens	1,605 (30K) 1,795 (40K) 1,866 (50K)
IP Rating	IP67
Operating Temp.	-4°F to 104°F
Input	24V

DIMENSIONS



PHOTOMETRIC CURVES

